



FARMTRAC 675/675 DT

PARTS CATALOGUE

FARMTRAC TRACTORS EUROPE Sp. z o.o.

ul. Przemysłowa 11, 11-700 Mrągowo, POLAND tel. +48 89 7433700, fax +48 89 7433701
e-mail: farmtrac@farmtrac.pl, www.farmtrac.pl, www.farmtrac.eu

CONTENT

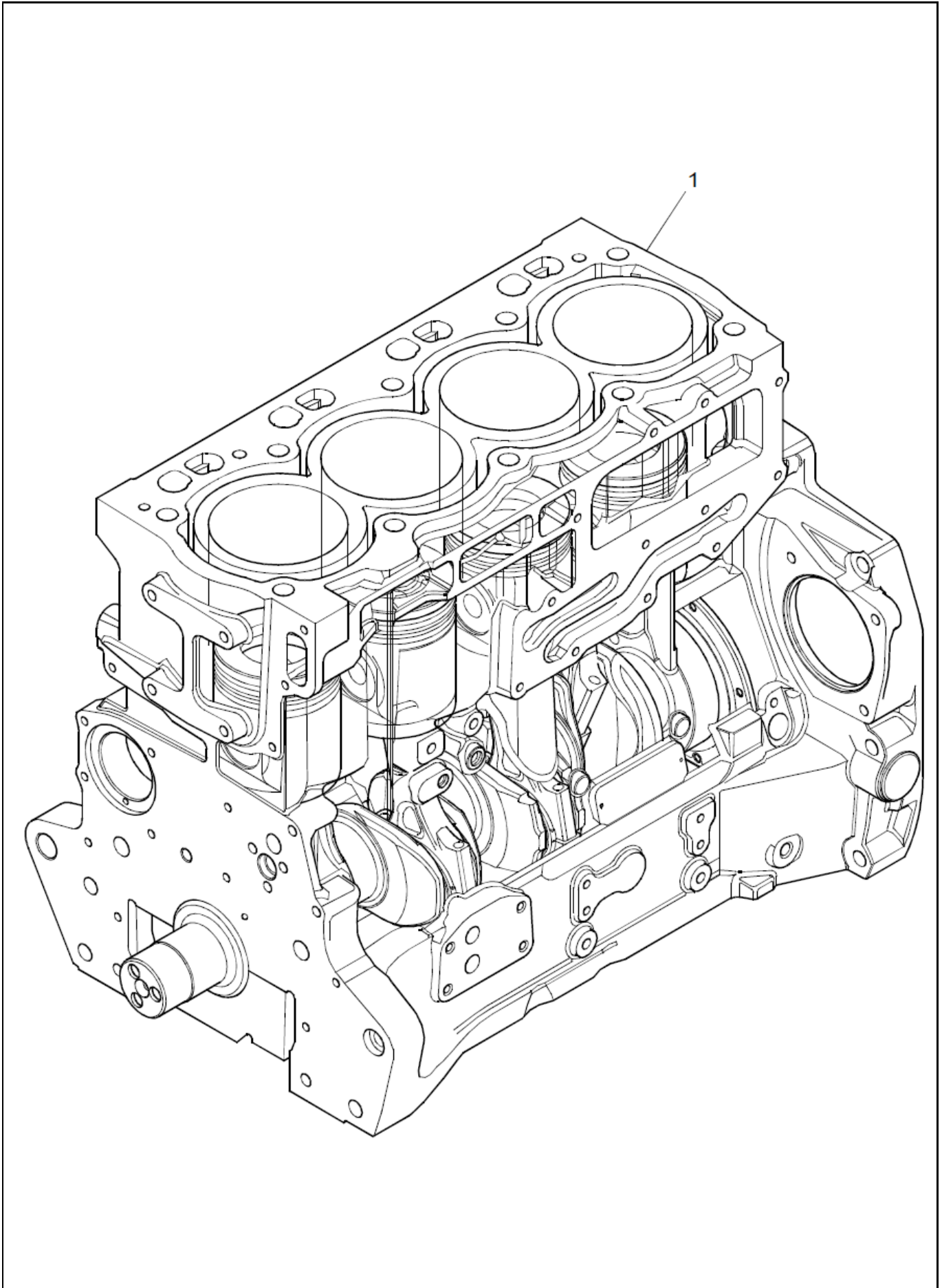
NAME	TABLE	PAGE
Engine		
Short Engine	001	7
Cylinder Block & Liners	112	9
Crankshaft, Main & Big End Bearings	113	11
Pistons & Rings	114	13
Connecting Rods	115	15
Rear End Oil Seal	116	17
Cylinder Head Assembly	117	19
Rocker Shaft Assembly	118	21
Timing Gear & Camshaft	119	23
Fuel Injection Pump	120	25
High Pressure Fuel Pipes	121	27
Atomisers	122	29
Throttle & Stop Controls	123	31
Pick-Up Sensor	124	33
Pick-Up Sensor	125	35
Fuel Leak-Off Pipe	126	37
Starter Motor	127	39
Fan Drive	128	41
Pulleys	129	43
Sump	130	45
Dipstick & Filler Tube	131	47
Oil Strainer	132	49
Cylinder Head Cover	133	51
Cylinder Head Cover	134	53
Breather	135	55
Blanking Plates	136	57
Oil Cooler	137	59
Oil Filter	138	61
Blanking Plates	139	63
Oil Filter	140	65
Front End Drive Input	141	67
Water Pump	142	69
Pipes	143	71
Water Outlet Housing	144	73
Fan	145	75
Alternator	146	77
Pulleys	147	79
Alternator Bracket & Fixings	148	81
Auxiliary Drive	149	83
Timing Case	150	85

NAME		TABLE	PAGE
	Timing Case	151	87
	Timing Cover	152	89
	Drive Adaptor	153	91
	Blanking Plugs	154	93
	Lubricating Oil Pump & Delivery Housing	155	95
	Turbocharger	156	97
	Oil Feed Pipes	157	99
	Leak-Off Pipes	158	101
	Pipework & Connections	159	103
	Exhaust Manifold	160	105
	Exhaust Outlet	161	107
	Induction Manifold	162	109
	Induction Manifold	163	111
	Induction Manifold	164	113
	Lift Pump	165	115
	Filter to Injection Pump Pipe	166	117
	Injection Pump to Filter Pipe	167	119
	Boost Control Pipe	168	121
	Boost Control Pipe	169	123
	Heater Plugs	170	125
	Lubricating Oil Pressure Switch/Gauge	172	127
	Lubricating Oil Pressure Switch/Gauge	173	129
	Temperature Gauge & Sender	174	131
	Water Trap	175	133
	Miscellaneous & Auxiliaries	176	135
Fuel system			
	Fuel tank	003	137
	Water separator	004	139
Cooling system			
	Radiator	005	141
Air cleaner system			
	Air cleaner system	006	143
	Air cleaner	007	145
	Inlet system with A/C	051	147
Exhaust system			
	Exhaust system	008	149
Clutch			
	Flywheel	009	151
	Clutch inner controls	011	153
	Clutch housing	012	155
	Clutch control - outer	013	157

NAME		TABLE	PAGE
	Pressure plate	052	159
Front axle			
	Support - front axle	014	161
	Axle body	015	163
	Swivels & steering rod	016	165
	Bevel gear set	017	167
	Differential (front)	018	169
	Double joint	019	171
	Drop box	020	173
	Propeller shaft	021	175
	Front axle support assy.	106	177
Brake system			
	Brakes	022	179
	Brake pedals	023	181
	Brake release system	024	183
	Hand brake	025	185
Steering system			
	Steering column	034	187
	Steering system	054	189
	Hydrostatic oil reservoir	062	191
	Hydraulic system	177	193
Gear box			
	Cluth shafts	026	195
	Gear box housing	028	197
	Levers cover	029	199
	Transmission outer controls	030	201
	Gear box inner controls	032	203
	Reducer inner controls	033	205
	Reverser inner controls	035	207
	Primary shaft	036	209
	Secondary shaft	037	211
	Reverse gear	038	213
	Revers outer controls	179	215
Rear axle			
	Bevel gear set	039	217
	Differential rear	040	219
	Differential lock - rear	041	221
	Differential lock linkage - rear	042	223
	Final drive housing	043	225
	Axle shafts	044	227

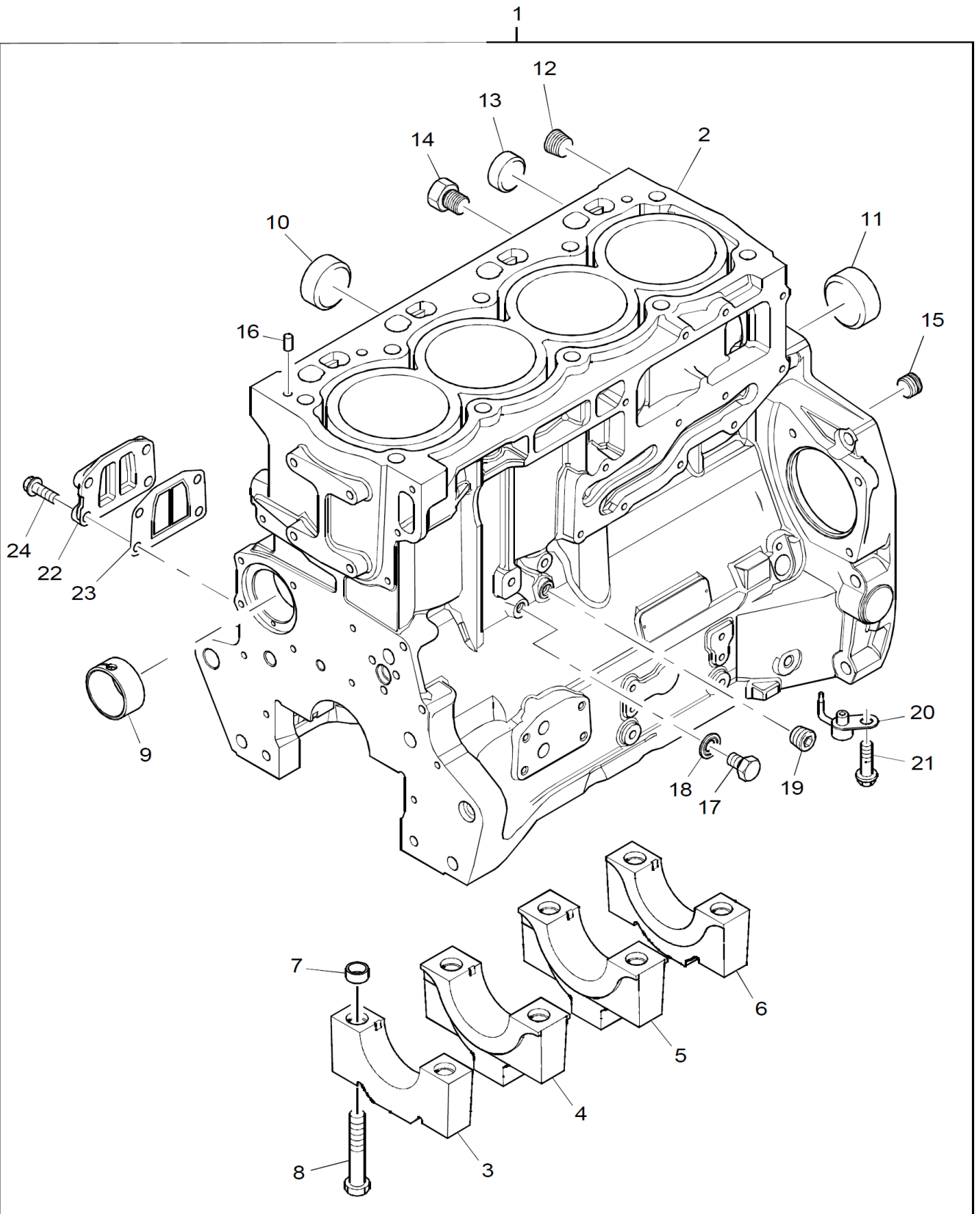
NAME		TABLE	PAGE
PTO			
	PTO clutch lever actuation	027	229
	PTO inner gears & shafts	053	231
	PTO 540 RPM	055	233
	PTO guard	056	235
	PTO Outer 540/1000	057	237
	PTO Control 540/1000	058	239
	PTO outer controls	178	241
Wheels			
	Rear wheel	059	243
	Front wheel	060	245
Implements coupling system			
	Hydraulic body	045	247
	RAM cylinder	046	249
	Inside lifting control	047	251
	Yoke top link sensing	048	253
	Outer lifting control	049	255
	Outer lifting control levers	050	257
	Hydraulic lift linkage	061	259
	Front 3-point linkage - fixing	180	261
	Front 3-point linkage	181	263
	Front 3-point linkage - hydraulic	182	265
Hitches			
	Upper hitch	065	267
	Lower hitch set	066	269
	Bracket rear hitches	067	271
	Rear hitches	068	273
Hydraulic system			
	Hydraulic system	110	275
Pneumatic system			
	Air compressor	070	275
	Air reservoir	071	275
	Valves	072	275
	Quick couplings	073	275
	Air compressor	074	275
	Air reservoirs	075	275
	Valves	076	275
	Quick couplings	077	275
	Pneumatic system assy. - one line	101	277
	Compressor lubrication	102	280
	Pneumatic system assy.	111	282

NAME		TABLE	PAGE
Electrical system			
	Main wiring	078	285
	Engine wiring	079	285
	Rear wiring	080	287
	Cabin wiring	081	289
	Front wiring	082	291
	Side wiring - LH	083	291
	Side wiring - RH	084	291
Weights			
	Front weight	063	293
	Rear weel weight	085	295
Cabin			
	Cabin bracket	064	297
	Cabin assy.	087	299
	Cabin roof	088	301
	Left door	089	303
	Right door	090	305
	Rear window	091	307
	Front glases	092	307
	Sides glases	093	307
	Floor	094	309
	Front covers	095	309
	Side covers	096	309
	Rear cover	097	309
	Cabin - front part	107	311
	Steering column	108	311
	Rear view mirror	109	313
A/C system			
	Evaporator set	069	315
	Condenser Set	086	317
	A/C Compressor set	98	317
Sheets			
	Tractor bonet assy.	099	319
	Tractor bonet assy.	100	321
	Front mudguard assy.	103	323
	Front mudguard assy. - LH	104	323
	Rear mudguards	105	325

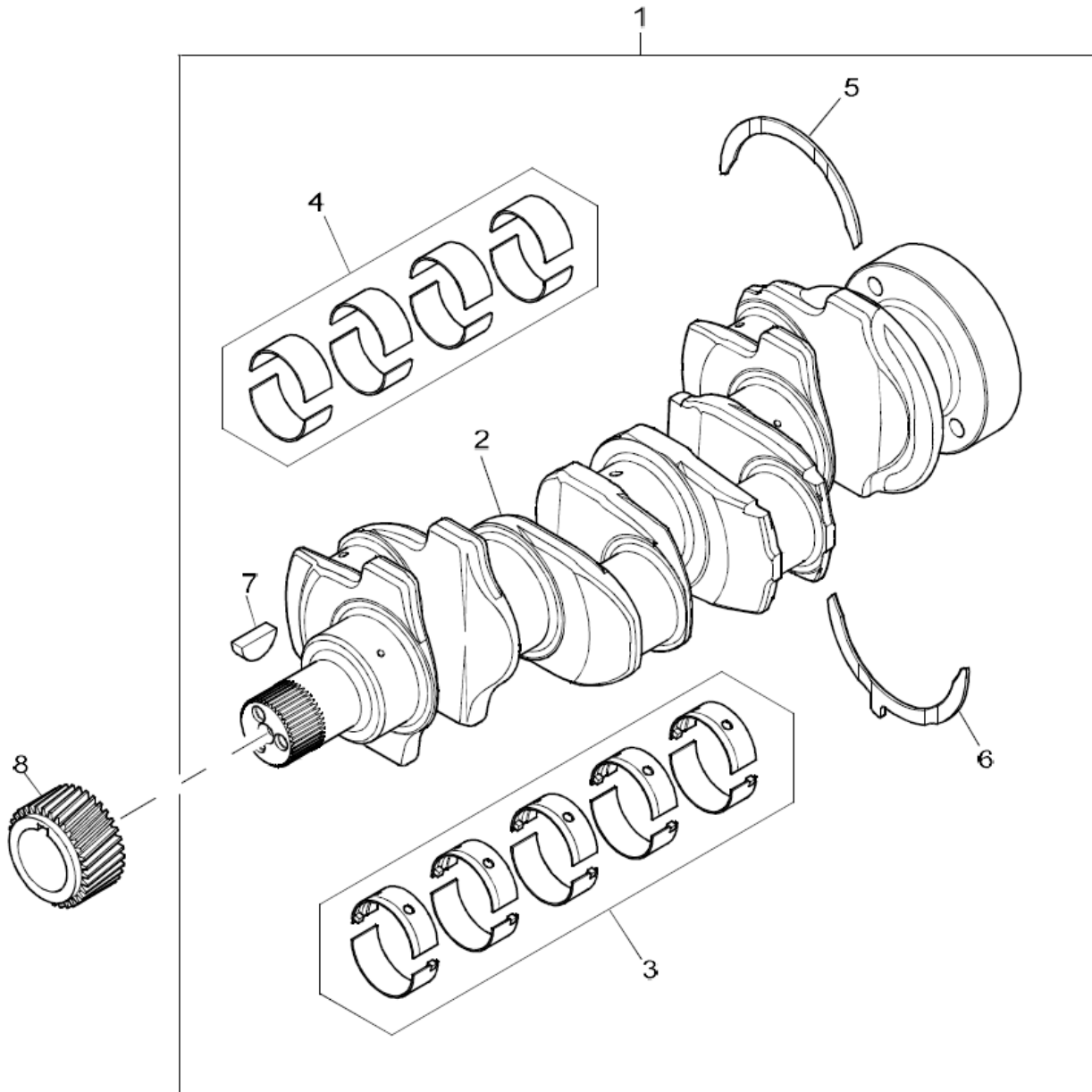


Short Engine	03.01.001
---------------------	------------------

Item	Part No	Part Name	Qty.	Remarks
1	P5030190594	SHORT ENGINE - ASSEMBLY	1	

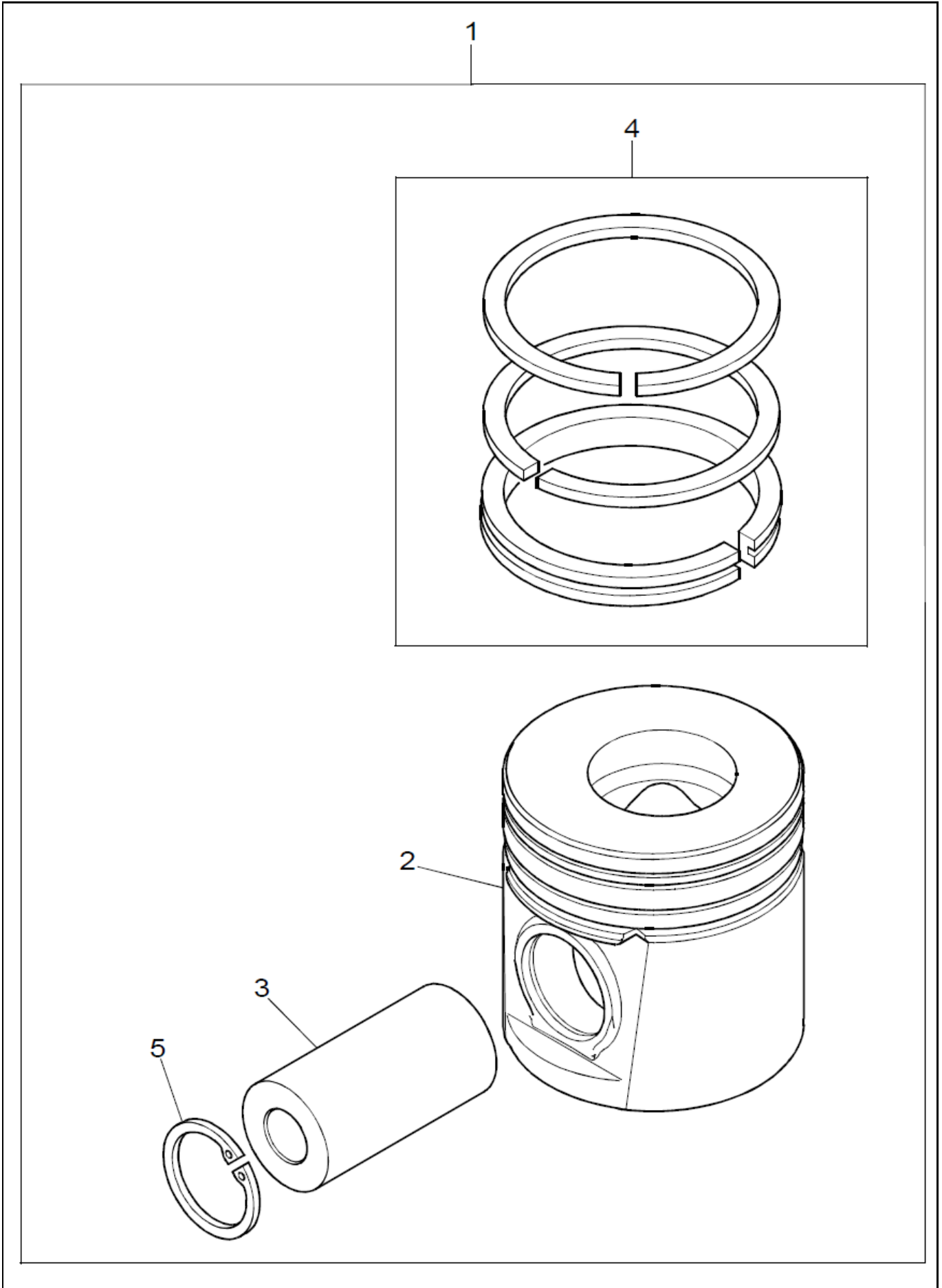


Item	Part No	Part Name	Qty.	Remarks
1	P5030190655	CYLINDER BLOCK ASSEMBLAY	1	
2	P5030190656	CYLINDER BLOCK	1	
3	P5030190659	BEARING CUP	1	
4	P5030190658	BEARING CUP	1	
5	P5030190659	BEARING CUP	1	
6	P5030190658	BEARING CUP	1	
7	P5030190601	THIMBLE	10	
8	P5030190662	SCREW	10	
9	P5030190663	CAMSHAFT BUSH	1	
10	P5030190664	PLUG	1	
11	P5030190665	PLUG	1	
12	P5030190606	PLUG	1	
13	P5030190607	PLUG	1	
14	P5030190668	PLUG	1	
15	P5030190669	PLUG	1	
16	P5030190610	DOWEL	1	
17	P5030190671	SCREW	1	
18	P5030190612	WASHER	1	
19	P5030190673	PLUG	1	
20	P5030190674	PISTON COOLING JET	1	
21	P5030190675	SCREW	1	
22	P5030190616	BLANKING COVER	1	
23	P5030190677	GASKET - OIL FILTER HEAD	1	
24	P5030190678	SCREW	4	



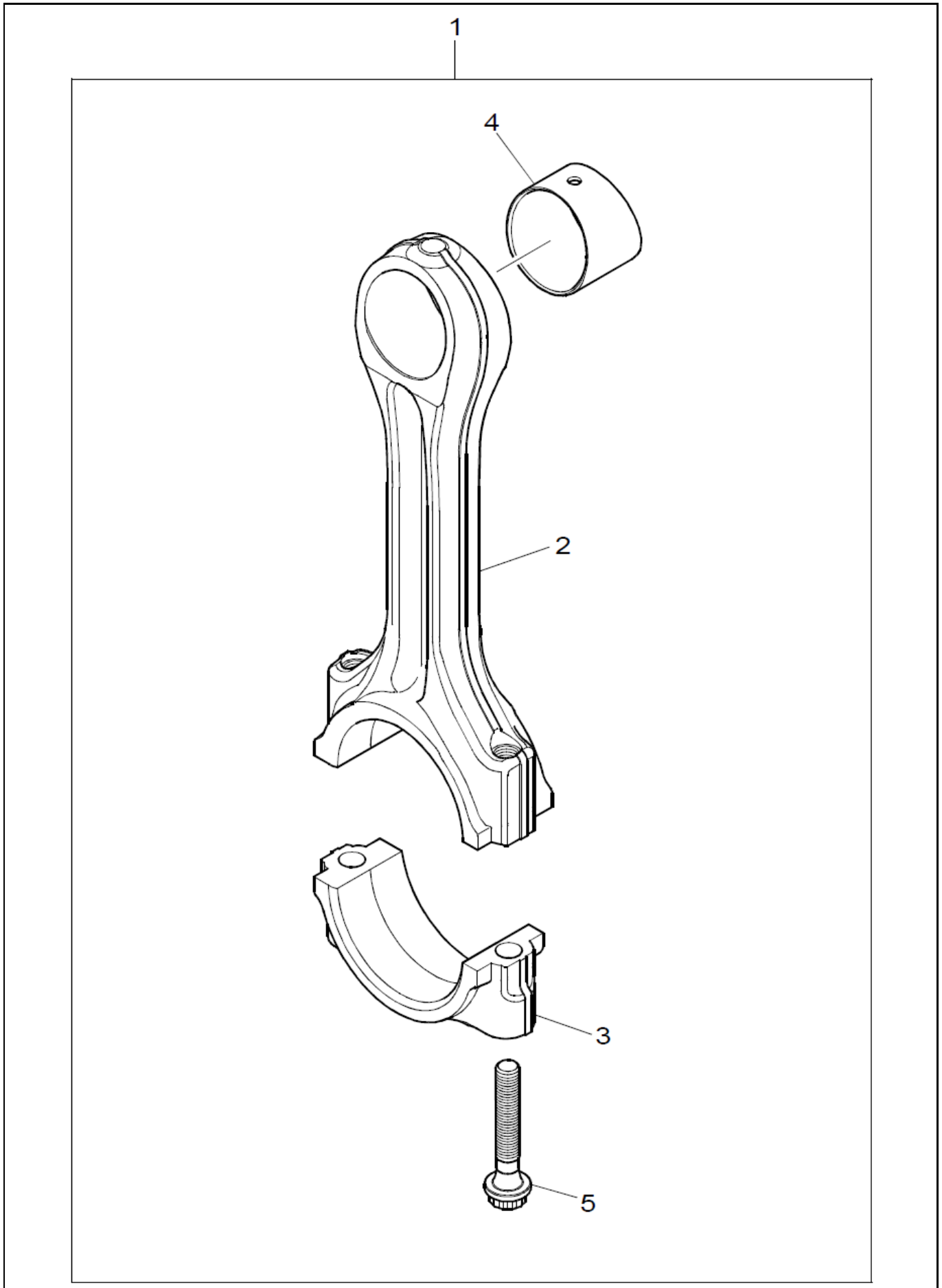
Crankshaft, Main & Big End Bearings**03.01.113**

Item	Part No	Part Name	Qty.	Remarks
1	P5030190622	CRANKSHAFT KIT	1	
1	P5030190640	CRANKSHAFT KIT - EXCHANGE	1	
2	P5030190622	CRANKSHAFT	1	
3	P5030190688	MAIN BEARING KIT - U/S	1	(+) 0.010"
3	P5030190681	MAIN BEARING KIT	1	
3	P5030190689	MAIN BEARING KIT - U/S	1	(+)0.020"
4	P5030190682	BIG END BEARING KIT	1	
4	P5030190693	MAIN BEARING KIT - U/S	1	(+) 0.030"
4	P5030190693	BIG END BRG KIT - U/S	1	(+)0.75MM
4	P5030190692	BIG END BRG KIT - U/S	1	(+) 0.50MM
4	P5030190691	BIG END BRG KIT - U/S	1	(+) 0.25MM
5	P5030190694	THRUST WASHER	2	(+)0.007"
5	P5030190683	THRUST WASHER	2	
6	P5030190695	THRUST WASHER	2	(+)0.007"
6	P5030190684	THRUST WASHER	2	
7	P5030190685	WOODRUFF KEY	1	
8	P5030190686	CRANKSHAFT GEAR	1	



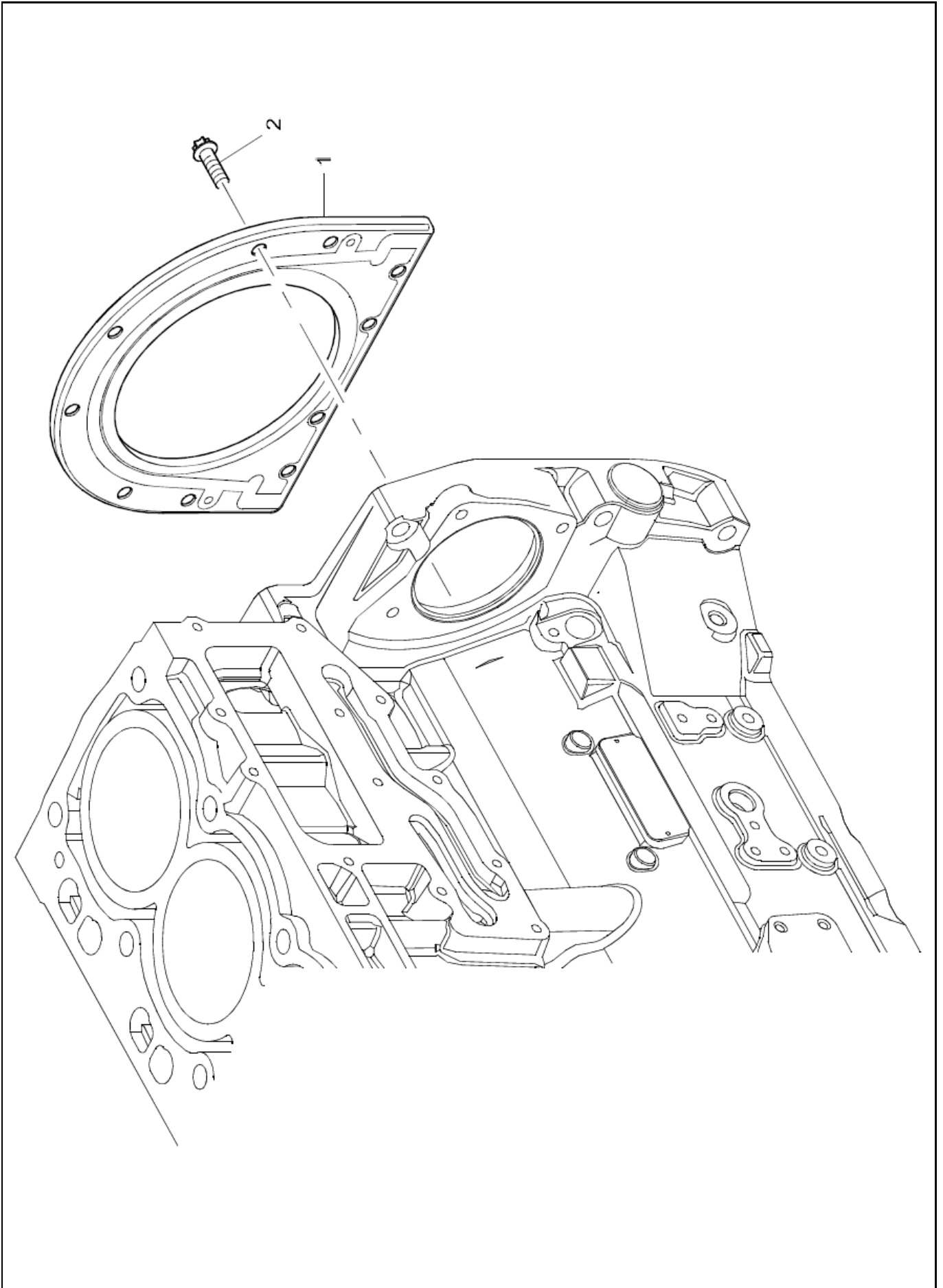
Pistons & Rings**03.01.114**

Item	Part No	Part Name	Qty.	Remarks
1	P5030190697	PISTON AND RING KIT	4	
2	P5030190697	PISTON	1	
3	P5030190698	GUDGEON PIN	1	
4	P5030190699	PISTON RING KIT	1	
5	P5030190700	CIRCLIP	2	



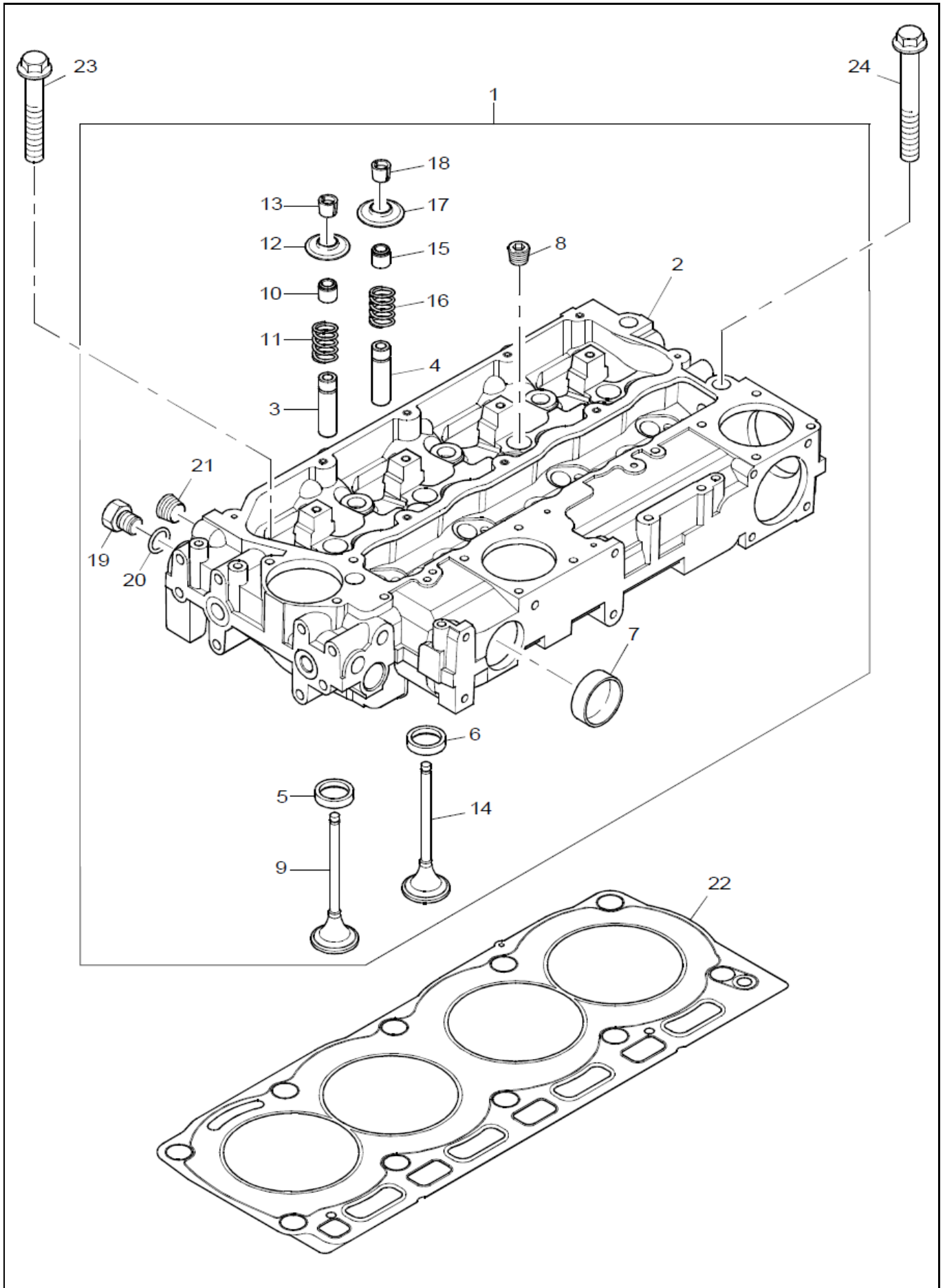
Connecting Rods**03.01.115**

Item	Part No	Part Name	Qty.	Remarks
1	P5030190706	CON ROD ASSEMBLY	4	
1	P5030190711	CON ROD ASSEMBLY	4	
1	P5030190710	CON ROD ASSEMBLY	4	
1	P5030190708	CON ROD ASSEMBLY	4	
1	P5030190709	CON ROD ASSEMBLY	4	
1	P5030190701	CONROD KIT	4	
1	P5030190707	CON ROD ASSEMBLY	4	
2	P5030190703	CON ROD	1	
3	P5030191824	CAP	1	
4	P5030190704	SMALL END BUSH	1	
5	P5030190705	CON ROD BOLT	2	



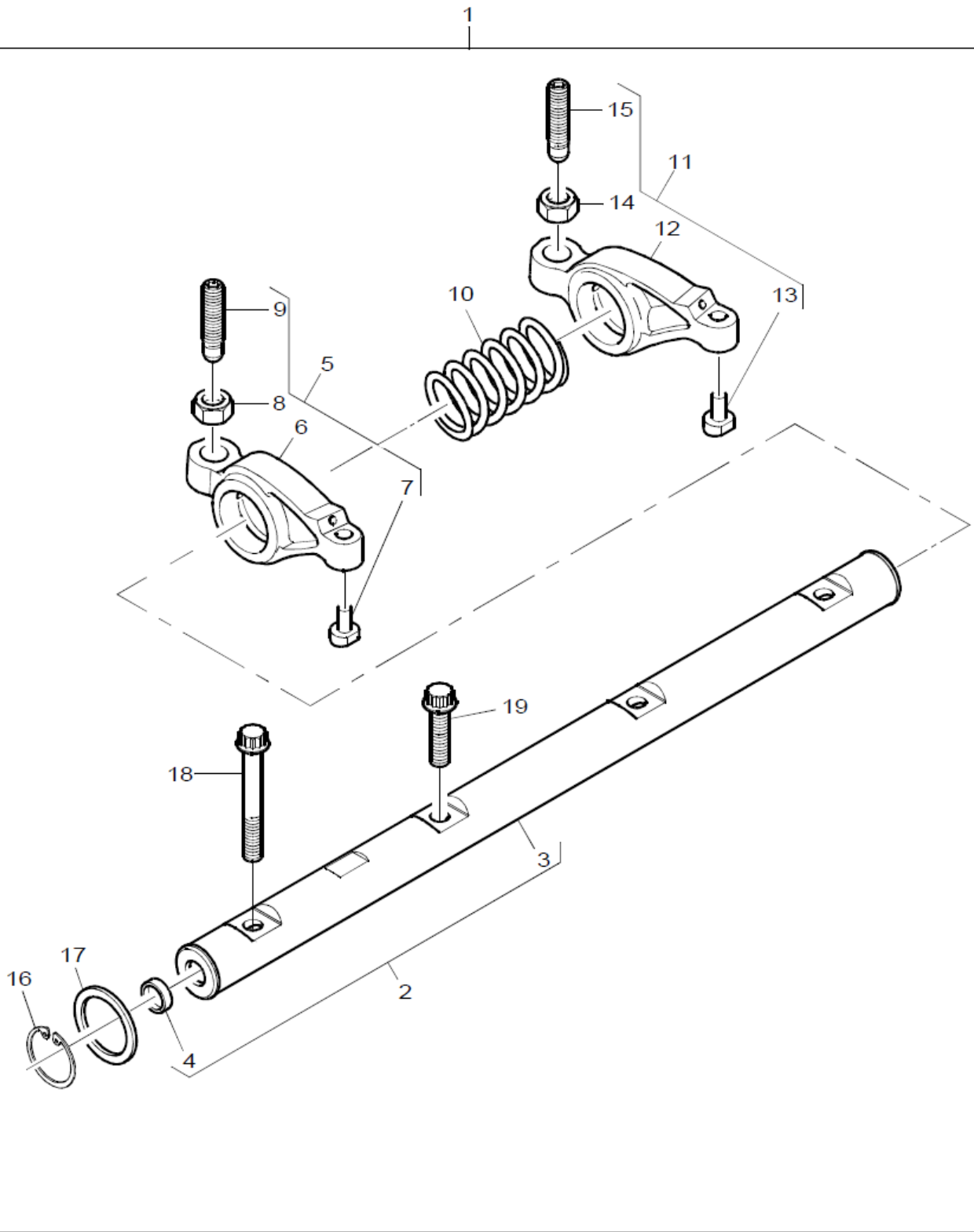
Rear End Oil Seal	03.01.116
--------------------------	------------------

Item	Part No	Part Name	Qty.	Remarks
1	P5030190712	SEAL - REOS HOUSING	1	
2	P5030190713	METRIC BOLT	10	



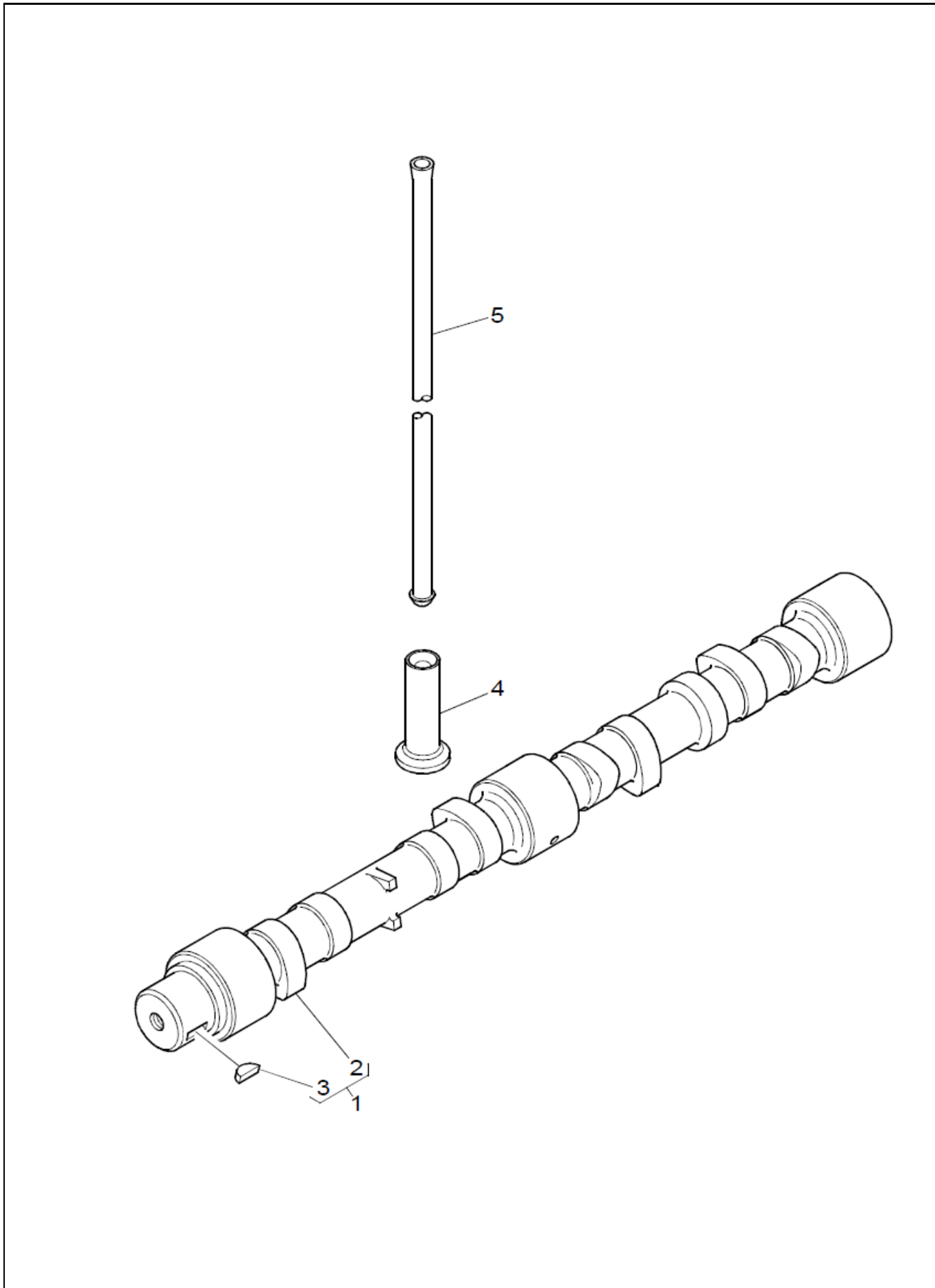
Cylinder Head Assembly**03.01.117**

Item	Part No	Part Name	Qty.	Remarks
1	P5030190714	CYLINDER HEAD ASSEMBLY	1	
2	P5030190715	CYLINDER HEAD	1	
3	P5030190716	VALVE GUIDE	4	
4	P5030190717	VALVE GUIDE	4	
5	P5030190718	VALVE SEAT INSERT	4	
6	P5030190719	VALVE SEAT INSERT	4	
7	P5030190720	PLUG	2	
8	P5030190721	PLUG	4	
9	P5030190722	INTAKE VALVE	4	
10	P5030190723	SEAL - VALVE STEM	4	
11	P5030190724	VALVE SPRING	4	
12	P5030190725	CAP	4	
13	P5030190726	VALVE COLLET	8	
14	P5030190727	EXHAUST VALVE	4	
15	P5030190728	SEAL - VALVE STEM	4	
16	P5030190729	VALVE SPRING	4	
17	P5030190730	CAP	4	
18	P5030190731	VALVE COLLET	8	
19	P5030190732	PLUG	1	
20	P5030190733	SEAL - SENSOR	1	
21	P5030190734	PLUG	2	
22	P5030190735	GASKET - CYLINDER HEAD	1	
23	P5030190736	CYLINDER HEAD BOLT	7	
24	P5030190737	CYLINDER HEAD BOLT	3	



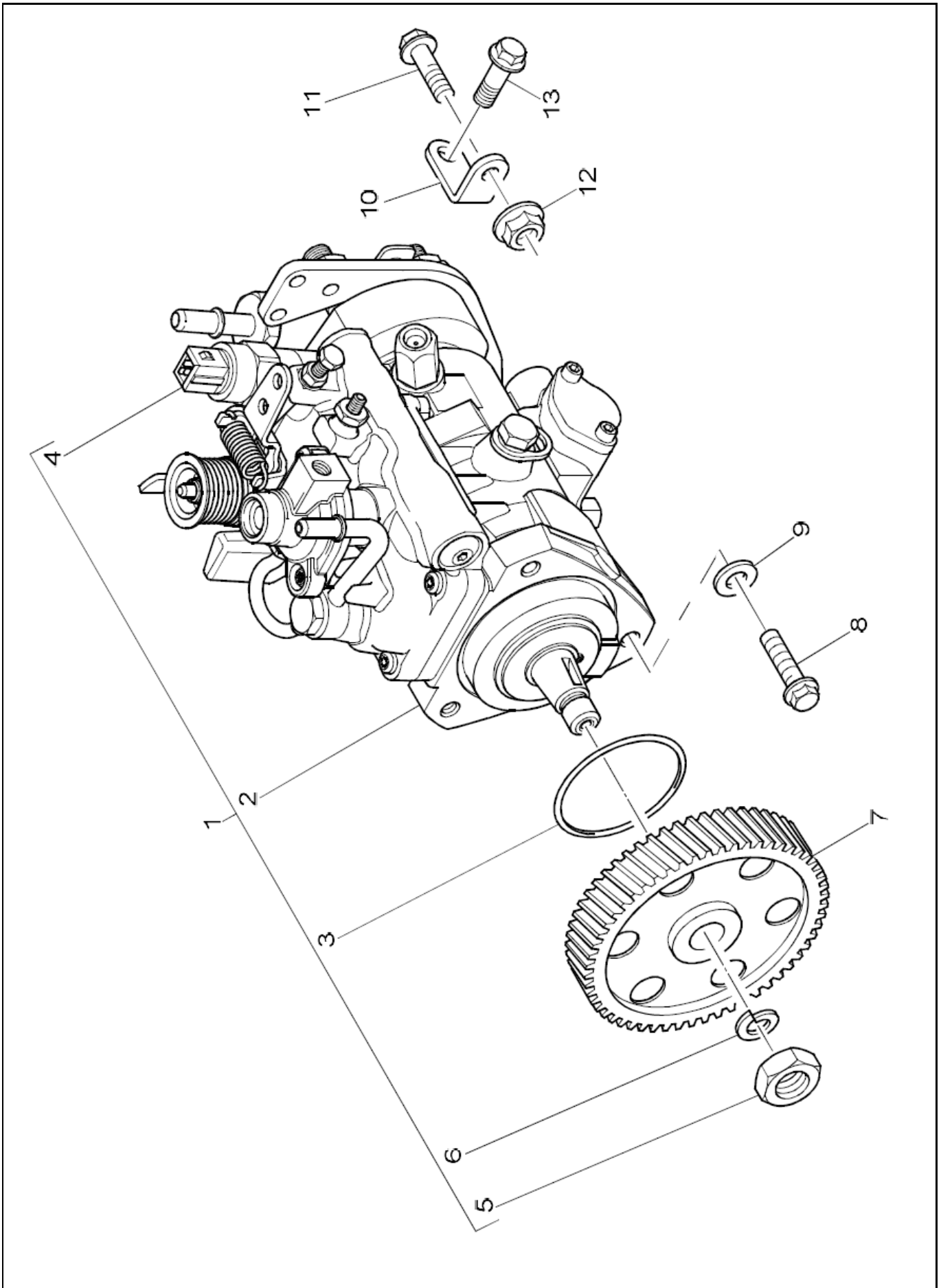
Rocker Shaft Assembly**03.01.118**

Item	Part No	Part Name	Qty.	Remarks
1	P5030190738	ROCKER SHAFT ASSEMBLY	1	
2	P5030190739	ROCKER SHAFT ASSY - MINOR	1	
3	P5030190740	ROCKER ARM SHAFT	1	
4	P5030190741	PLUG	2	
5	P5030190742	ROCKER LEVER	4	
6	P5030190743	ROCKER LEVER	1	
7	P5030190744	PAD	1	
8	P5030190745	NUT	1	
9	P5030190746	SCREW	1	
10	P5030190747	ROCKER SHAFT SPRING	3	
11	P5030190748	ROCKER LEVER	4	
12	P5030190749	ROCKER LEVER	1	
13	P5030190750	PAD	1	
14	P5030190751	NUT	1	
15	P5030190752	SCREW	1	
16	P5030190753	CIRCLIP	2	
17	P5030190754	WASHER	2	
18	P5030190755	SCREW	1	
19	P5030190756	SCREW	3	



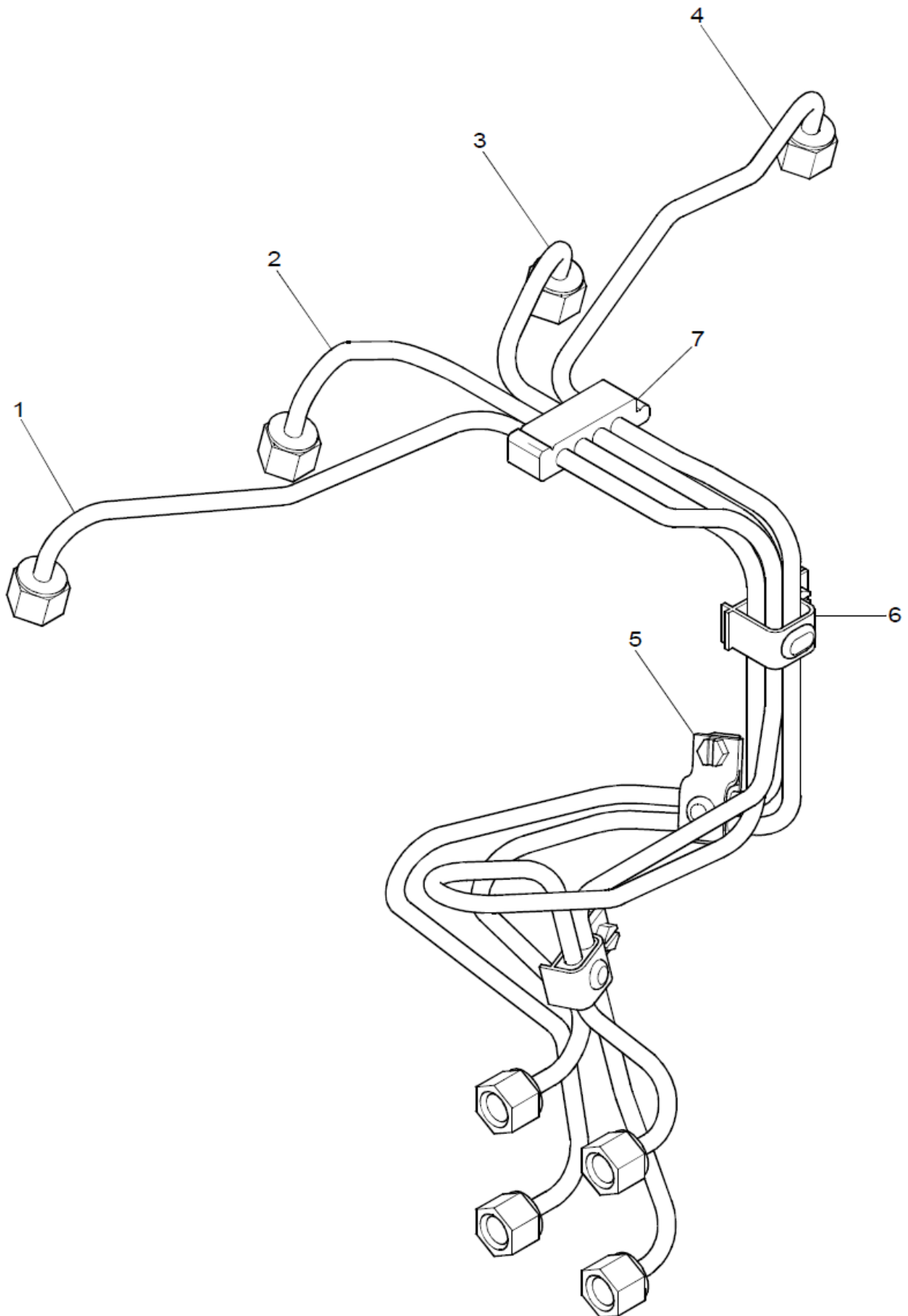
Timing Gear & Camshaft**03.01.119**

Item	Part No	Part Name	Qty.	Remarks
1	P5030190757	CAMSHAFT	1	
2	P5030190758	CAMSHAFT	1	
3	P5030190759	WOODRUFF KEY	1	
4	P5030190760	TAPPET	8	
5	P5030190761	PUSHROD	8	



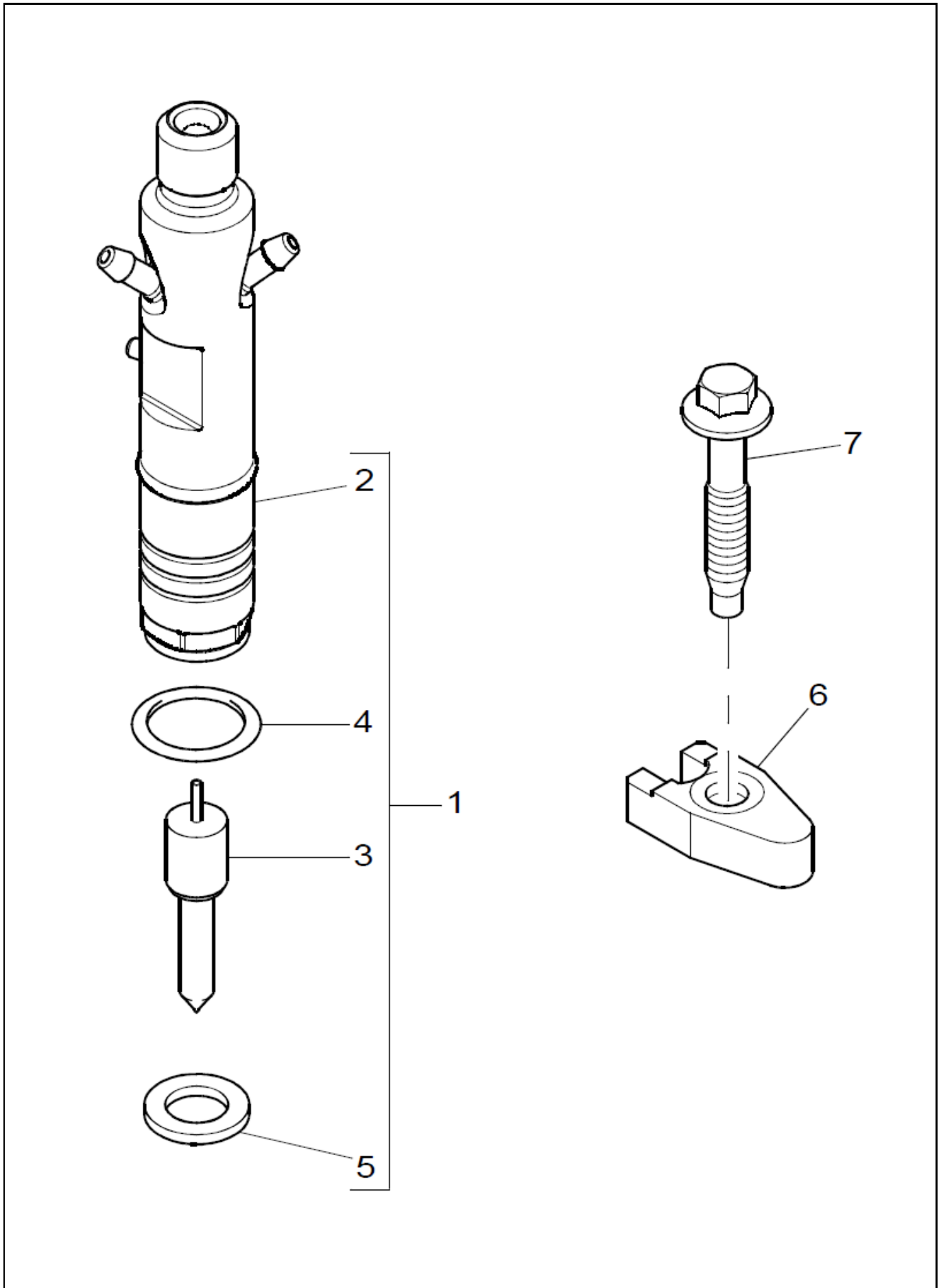
Fuel Injection Pump**03.01.120**

Item	Part No	Part Name	Qty.	Remarks
1	P5030190762	FUEL INJECTION PUMP	1	
2	P5030190763	FUEL INJECTION PUMP	1	
3	P5030190764	SEAL - O RING	1	
4	P5030190765	SOLENOID	1	
5	P5030190766	NUT	1	
6	P5030190767	WASHER	1	
7	P5030190768	FUEL INJECTION PUMP GEAR	1	
8	P5030190769	SCREW	3	
9	P5030190770	WASHER	3	
10	P5030190771	BRACKET	1	
11	P5030190772	SCREW	1	
12	P5030190773	NUT	1	
13	P5030190774	SCREW	1	



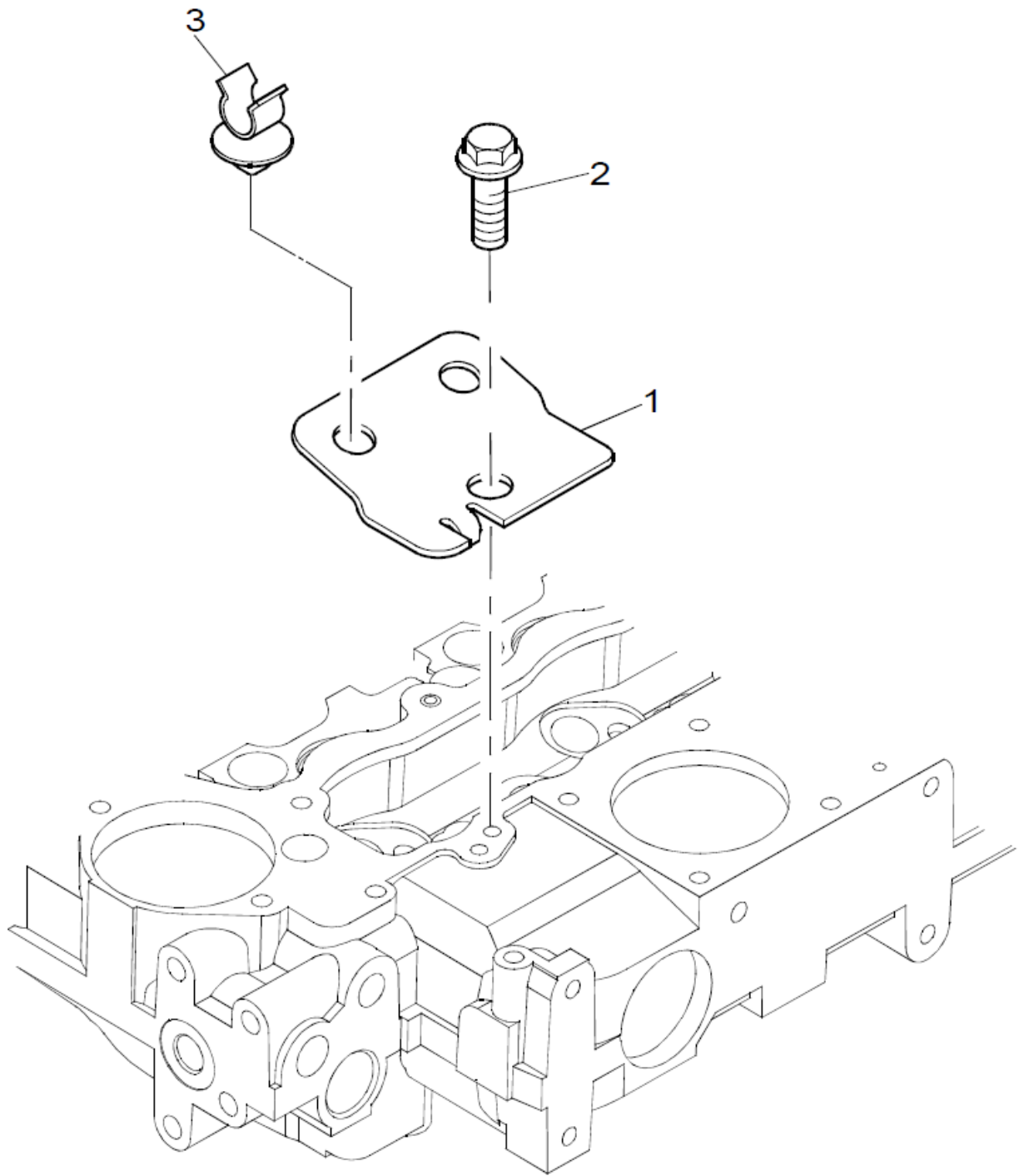
High Pressure Fuel Pipes**03.01.121**

Item	Part No	Part Name	Qty.	Remarks
1	P5030190775	PIPE - FUEL INJ NO 1 CYL	1	
2	P5030190776	PIPE - FUEL INJ NO 2 CYL	1	
3	P5030190777	PIPE - FUEL INJ NO 3 CYL	1	
4	P5030190778	PIPE - FUEL INJ NO 4 CYL	1	
5	P5030190779	CLIP	2	
6	P5030190780	CLIP	1	
7	P5030190781	CLIP	1	



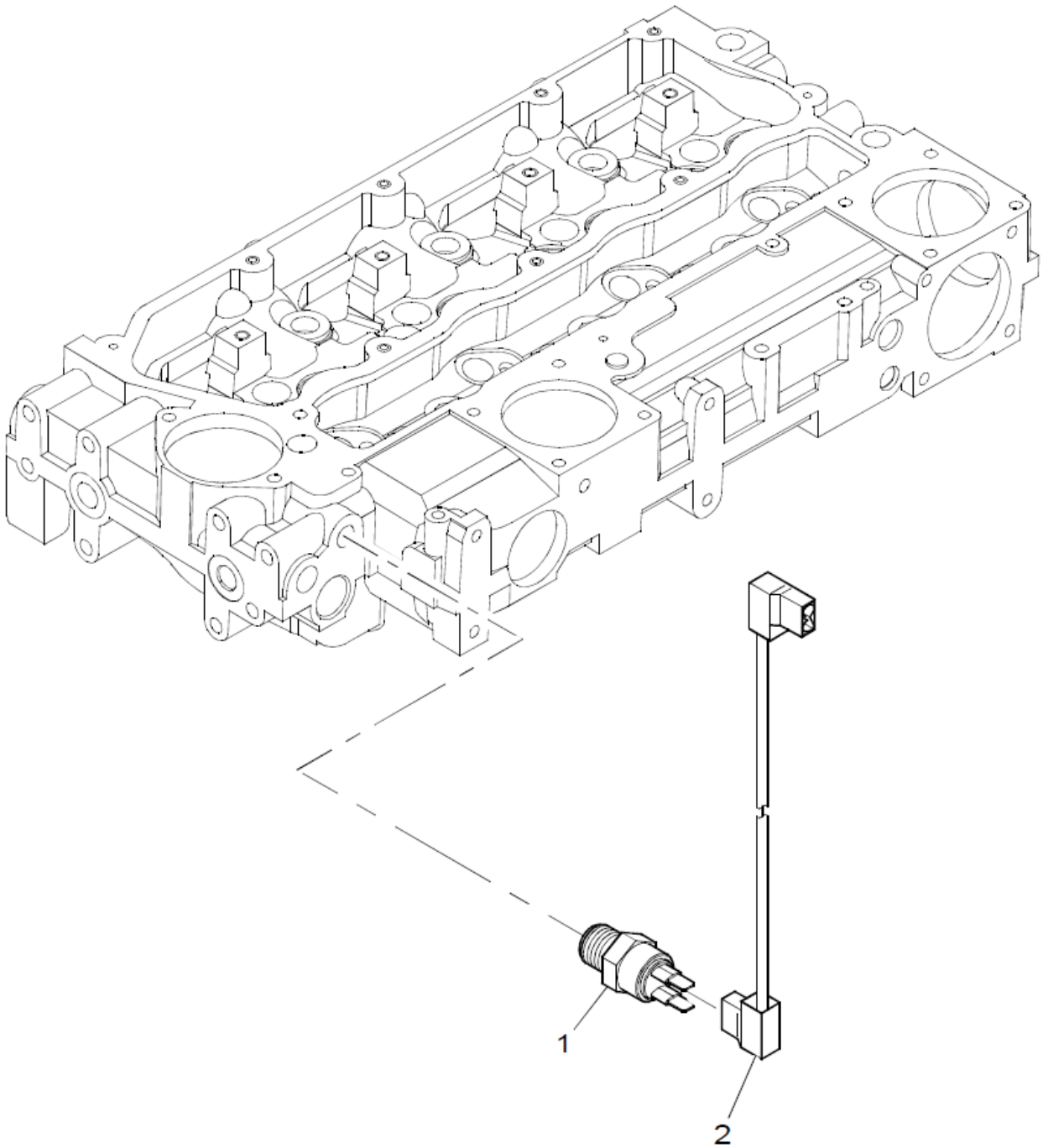
Atomisers**03.01.122**

Item	Part No	Part Name	Qty.	Remarks
1	P5030190782	INJECTOR	4	
2	P5030190783	INJECTOR NOZZLE HOLDER	1	
3	P5030190784	INJECTOR NOZZLE	1	
4	P5030190785	SEAL - INJECTOR	1	
5	P5030190786	INJECTOR WASHER	1	
6	P5030190787	INJECTOR CLAMP	4	
7	P5030190788	SCREW	4	



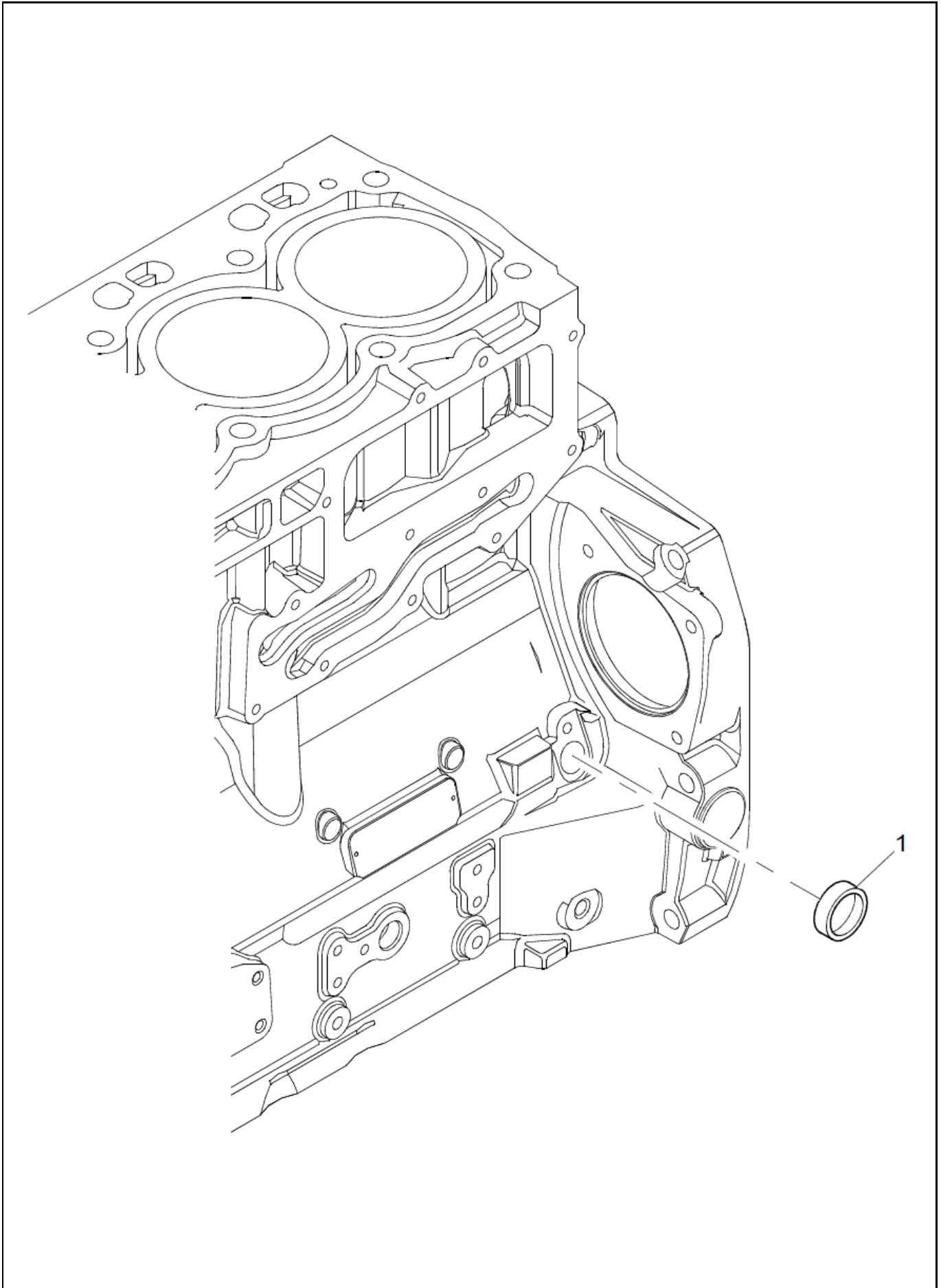
Throttle & Stop Controls**03.01.123**

Item	Part No	Part Name	Qty.	Remarks
1	P5030190789	BRACKET	1	
2	P5030190790	SCREW	1	
3	P5030190791	CLIP	1	



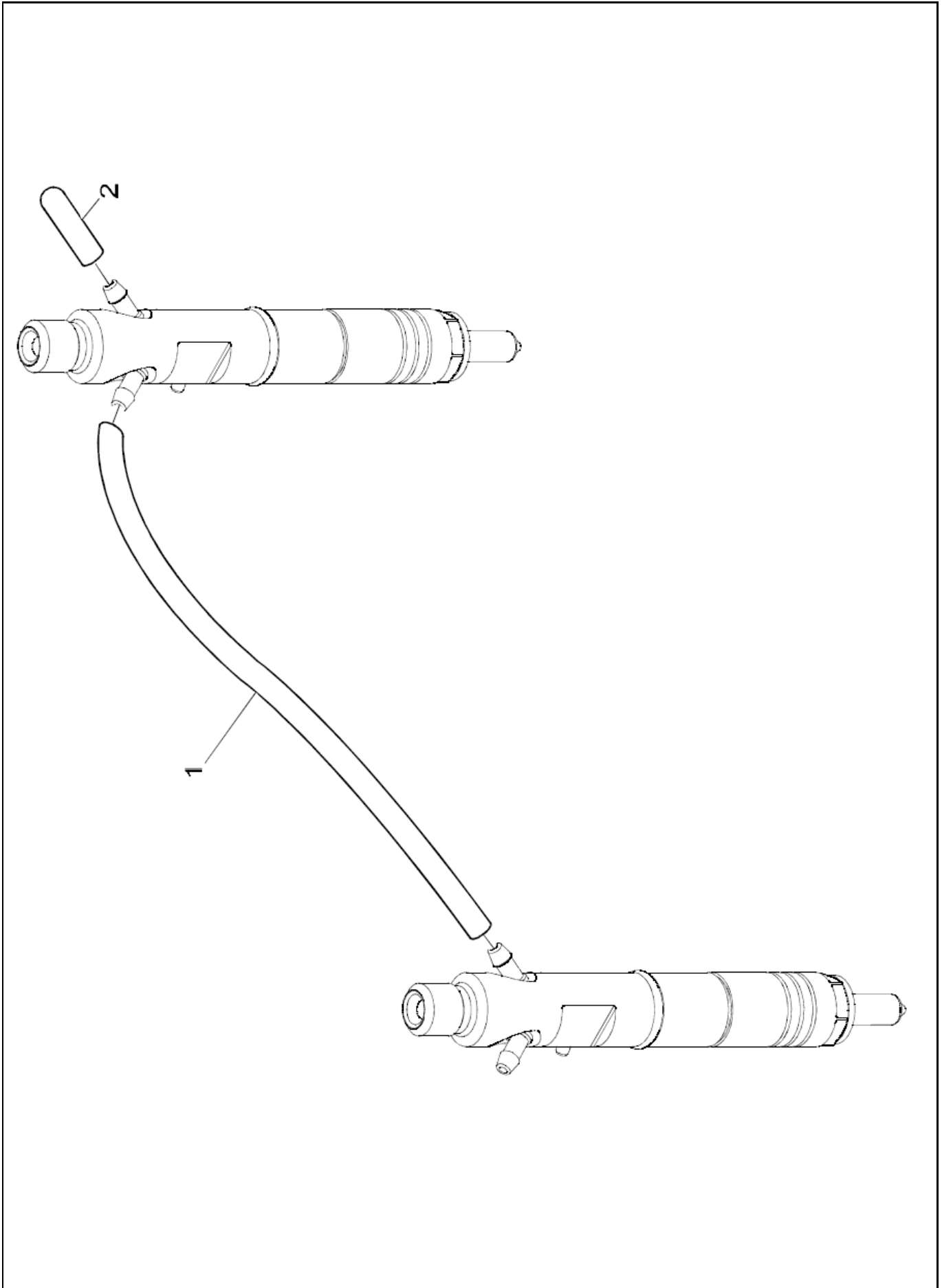
Pick-Up Sensor	03.01.124
-----------------------	------------------

Item	Part No	Part Name	Qty.	Remarks
1	P5030190792	WATER TEMPERATURE SWITCH	1	
2	P5030190793	CABLE	1	



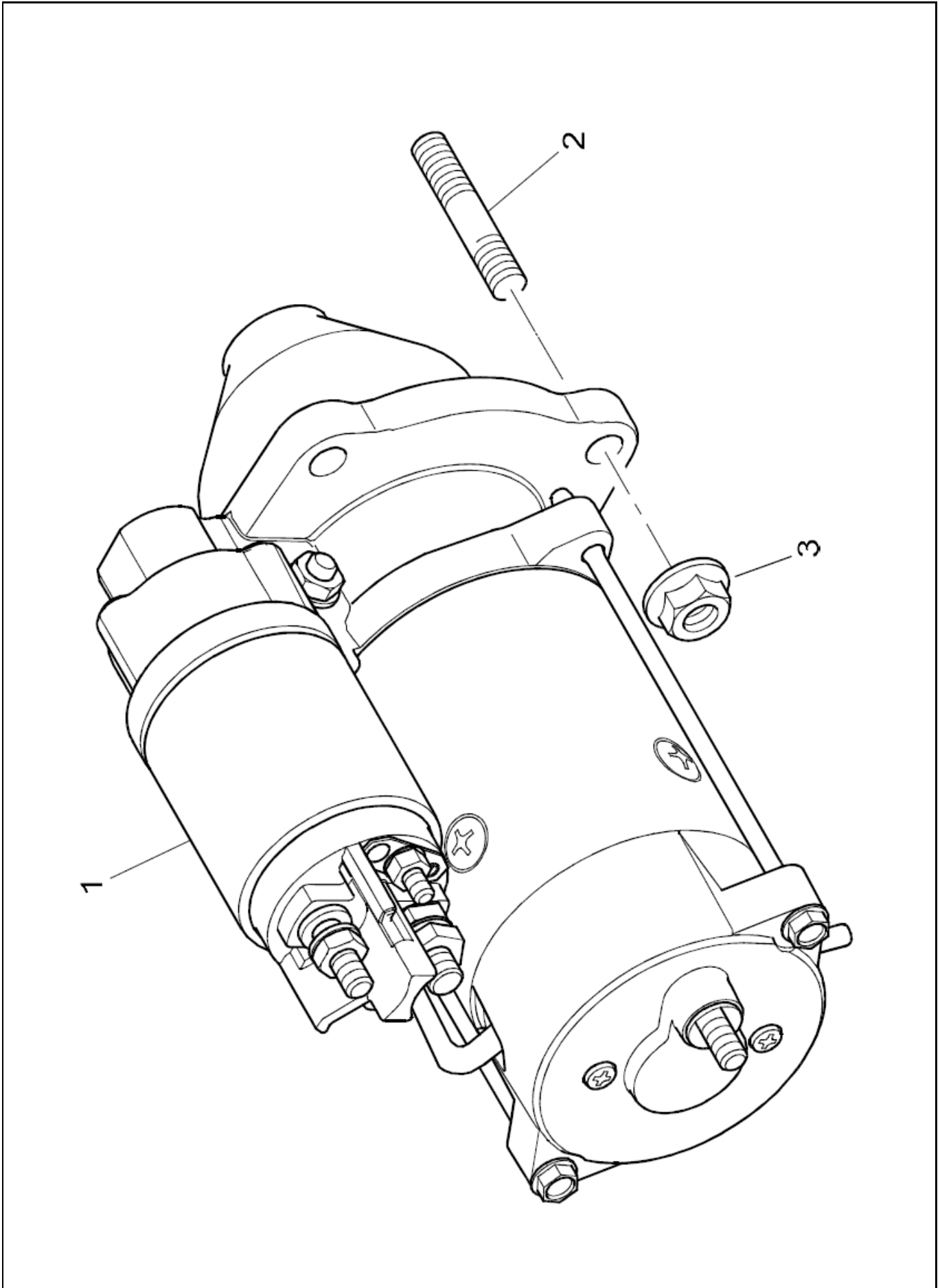
Pick-Up Sensor	03.01.125
-----------------------	------------------

Item	Part No	Part Name	Qty.	Remarks
1	P5030190794	PLUG	1	



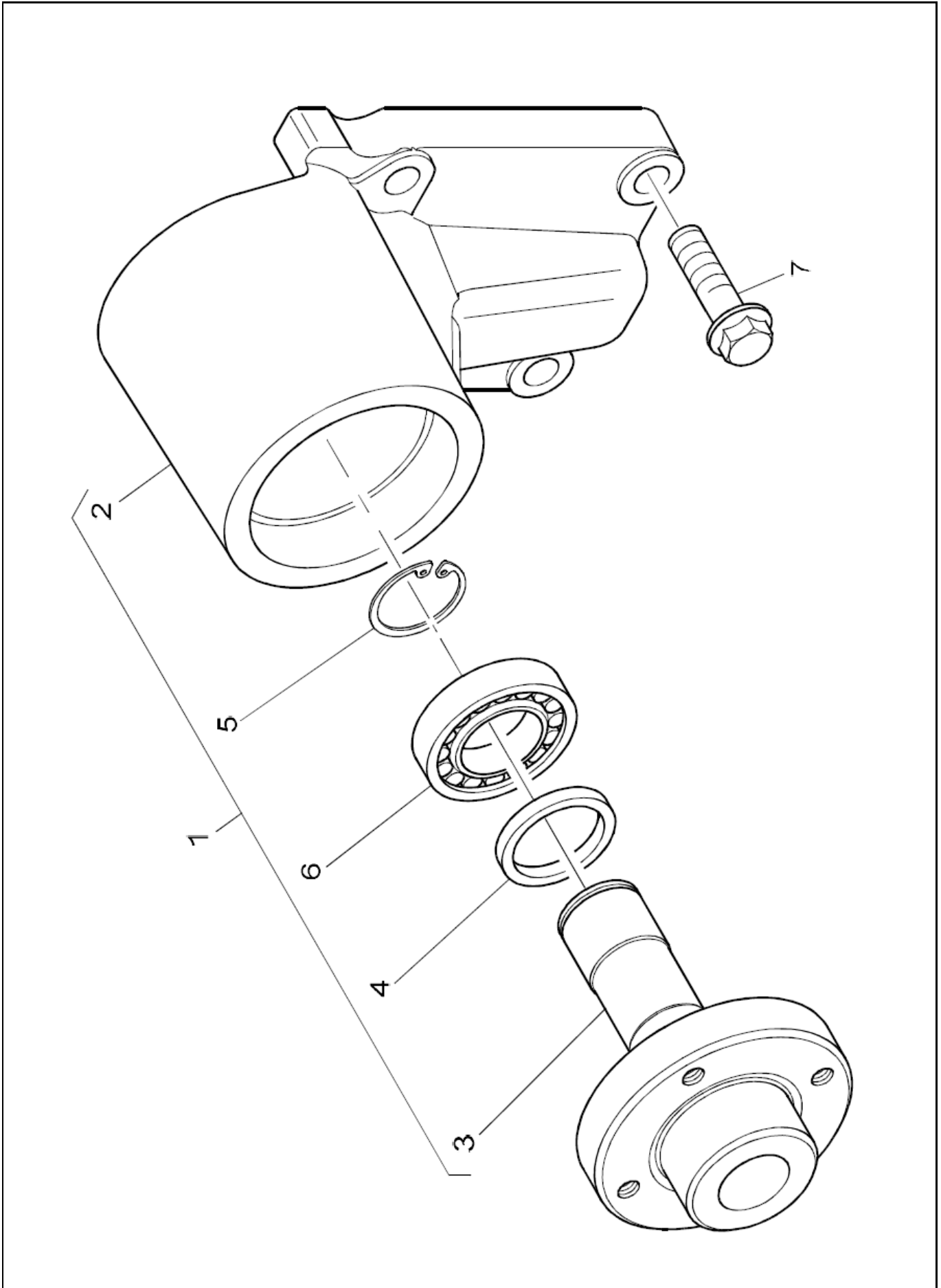
Fuel Leak-Off Pipe	03.01.126
---------------------------	------------------

Item	Part No	Part Name	Qty.	Remarks
1	P5030190795	HOSE	3	
2	P5030190796	CUP	1	



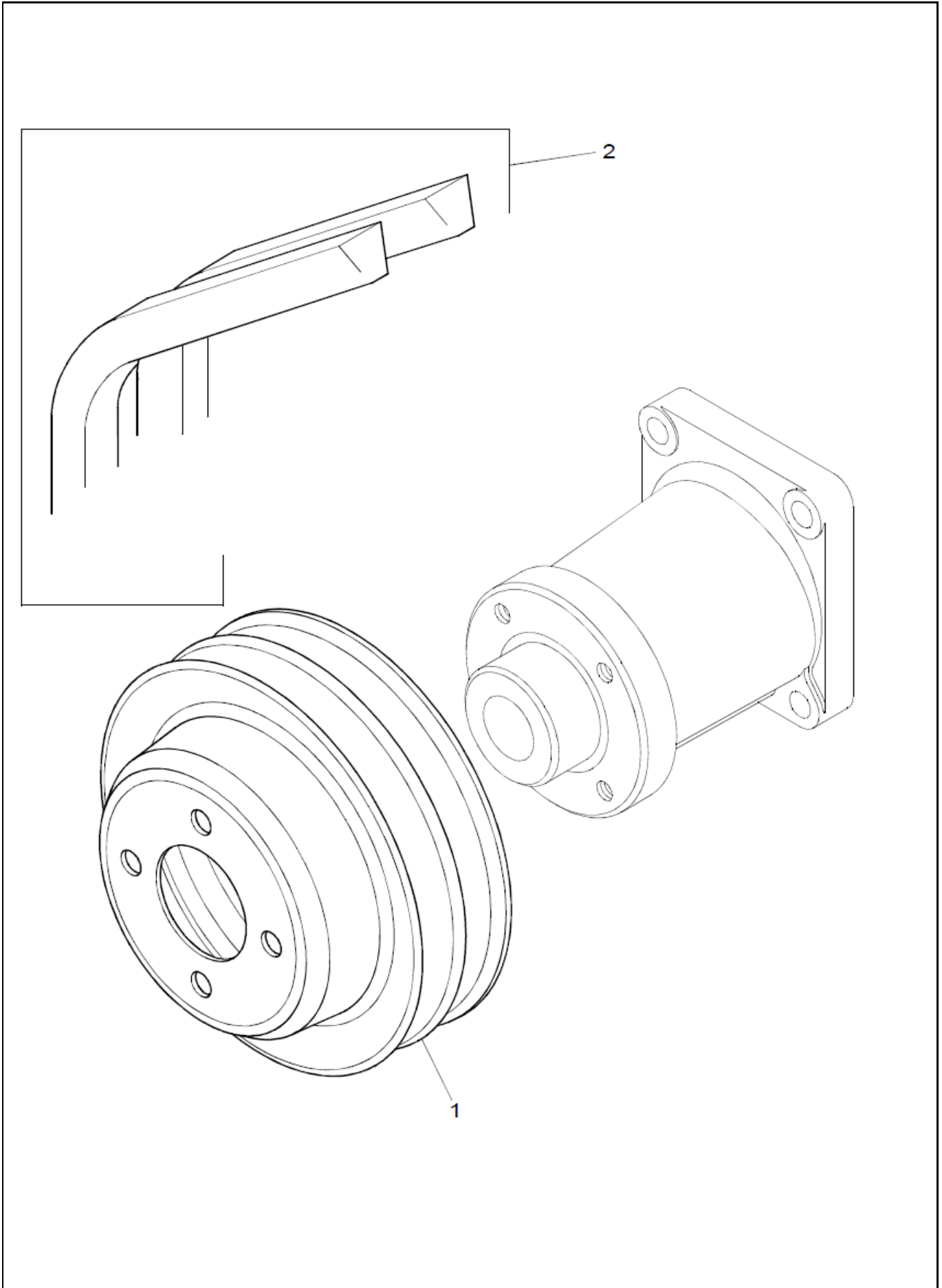
Starter Motor	03.01.127
----------------------	------------------

Item	Part No	Part Name	Qty.	Remarks
1	P5030190797	STARTER MOTOR	1	
2	P5030190798	STUD	3	
3	P5030190799	NUT	3	



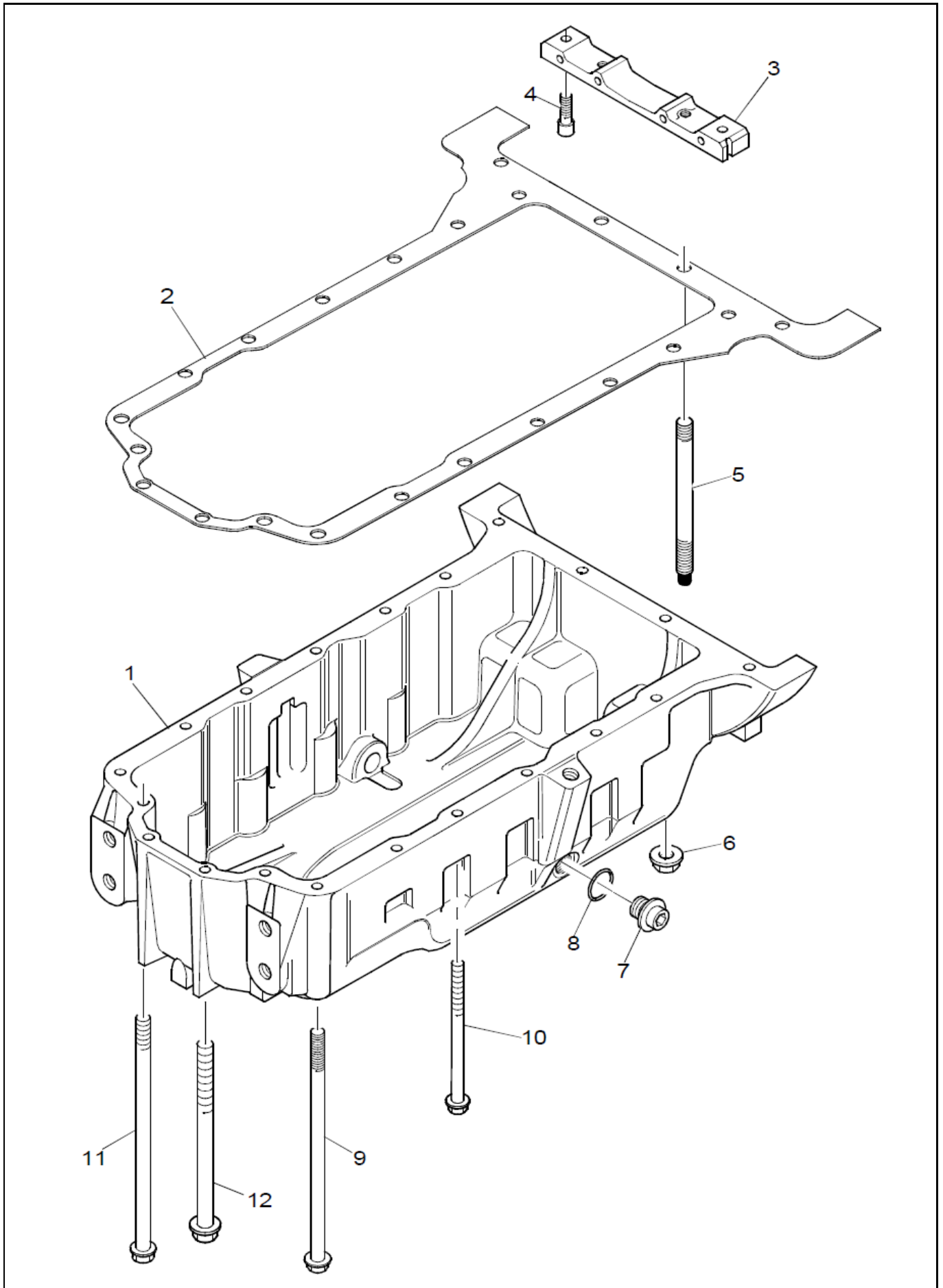
Fan Drive**03.01.128**

Item	Part No	Part Name	Qty.	Remarks
1	P5030190800	FAN DRIVE HOUSING	1	
2	P5030190801	FAN DRIVE HOUSING	1	
3	P5030190802	HUB	1	
4	P5030190803	SPACER	1	
5	P5030190804	CIRCLIP	1	
6	P5030190805	BALL BEARING	2	
7	P5030190806	SCREW	4	



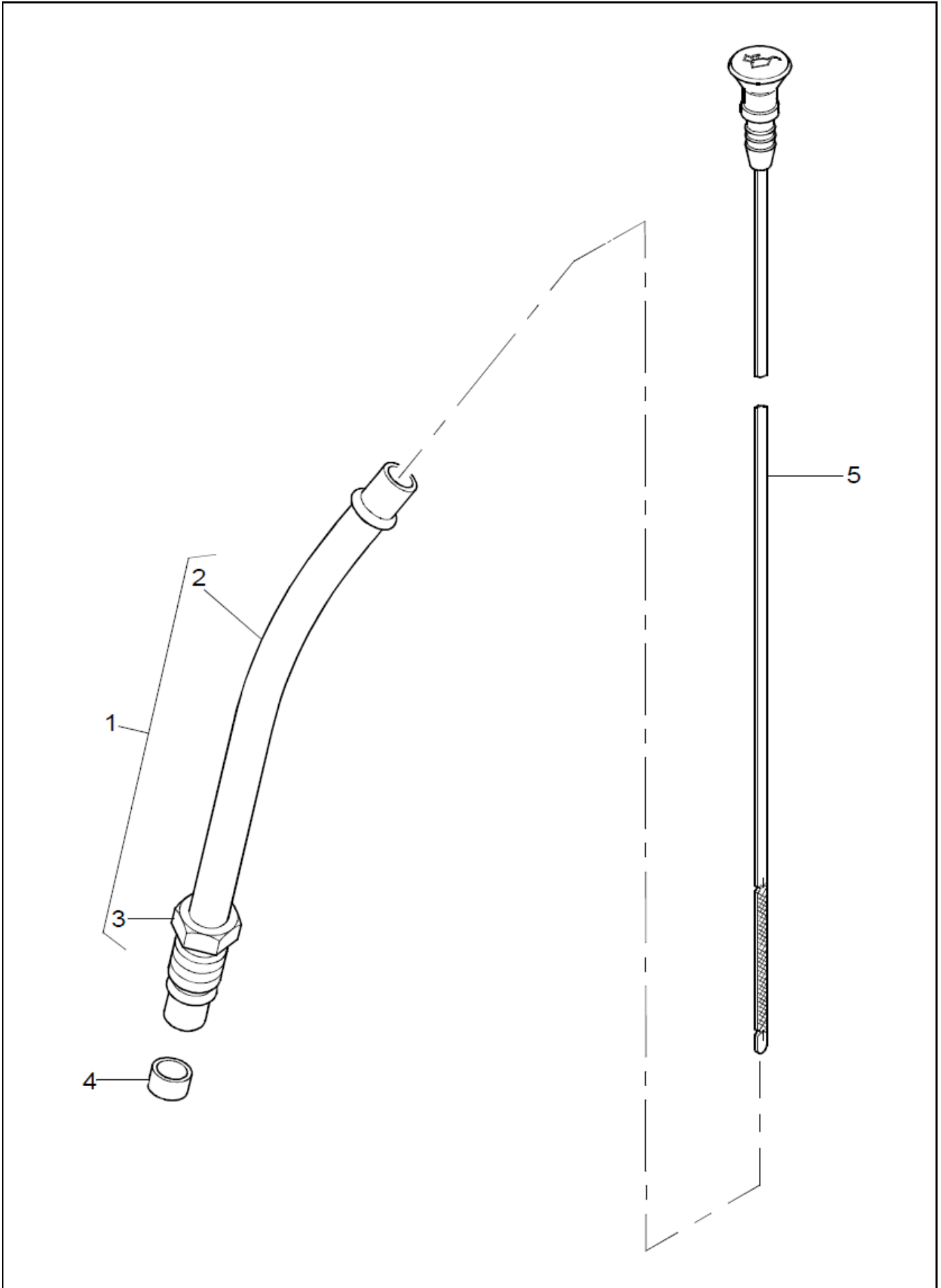
Pulleys	03.01.129
----------------	------------------

Item	Part No	Part Name	Qty.	Remarks
1	P5030190807	FAN DRIVE PULLEY	1	
2	P5030190808	BELT	1	



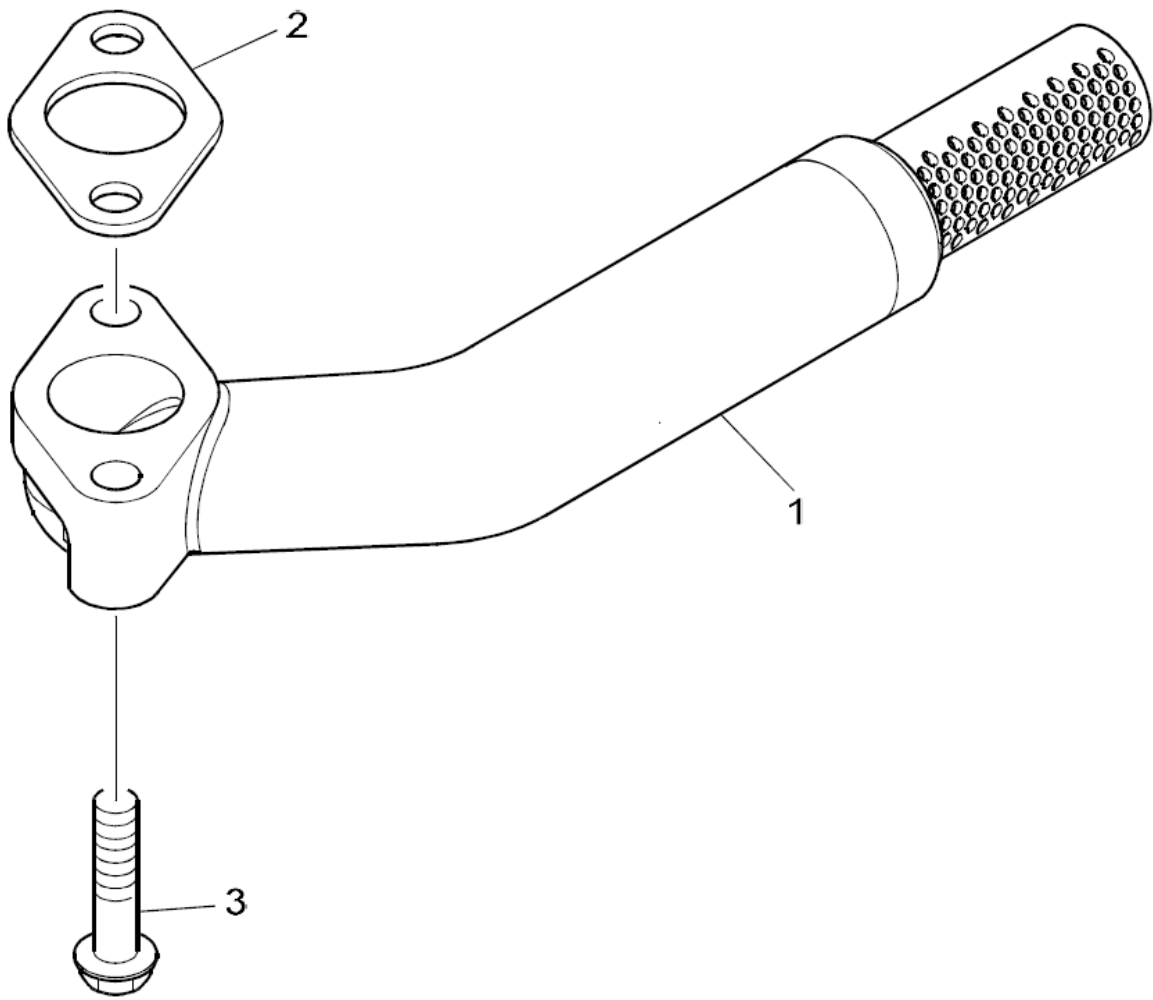
Sump**03.01.130**

Item	Part No	Part Name	Qty.	Remarks
1	P5030190809	SUMP	1	
2	P5030190810	GASKET - SUMP	1	
3	P5030190811	BRIDGE PIECE	1	
4	P5030190812	SCREW	2	
5	P5030190813	STUD	2	
6	P5030190814	NUT	2	
7	P5030190815	PLUG	2	
8	P5030190816	SEAL - O RING	2	
9	P5030190817	SCREW	2	
10	P5030190818	SCREW	12	
11	P5030190819	SCREW	2	
12	P5030190820	SCREW	2	



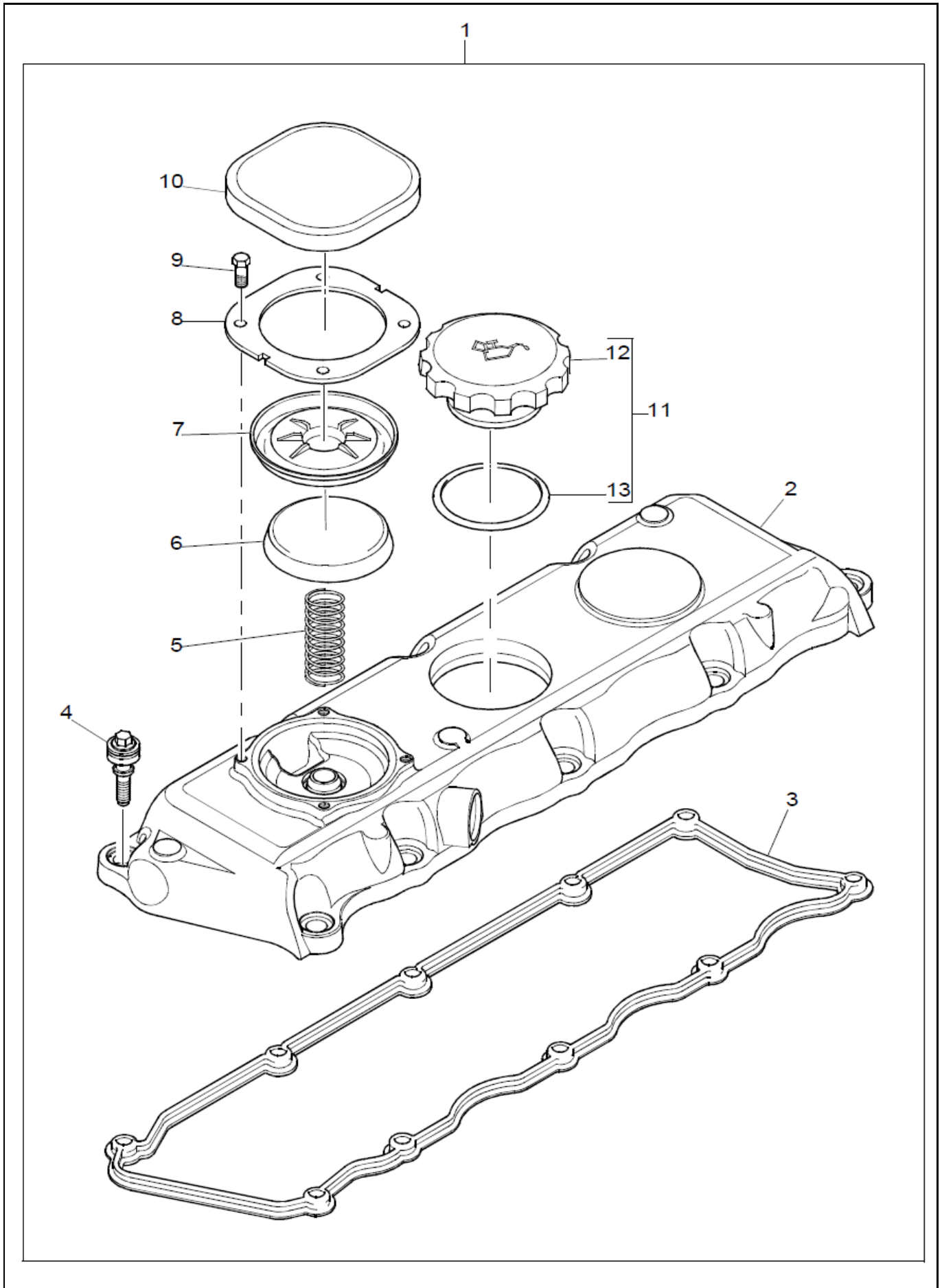
Dipstick & Filler Tube**03.01.131**

Item	Part No	Part Name	Qty.	Remarks
1	P5030190821	TUBE ASSEMBLY	1	
2	P5030190822	TUBE	1	
3	P5030190823	NUT	1	
4	P5030190824	OLIVE	1	
5	P5030190825	DIPSTICK	1	



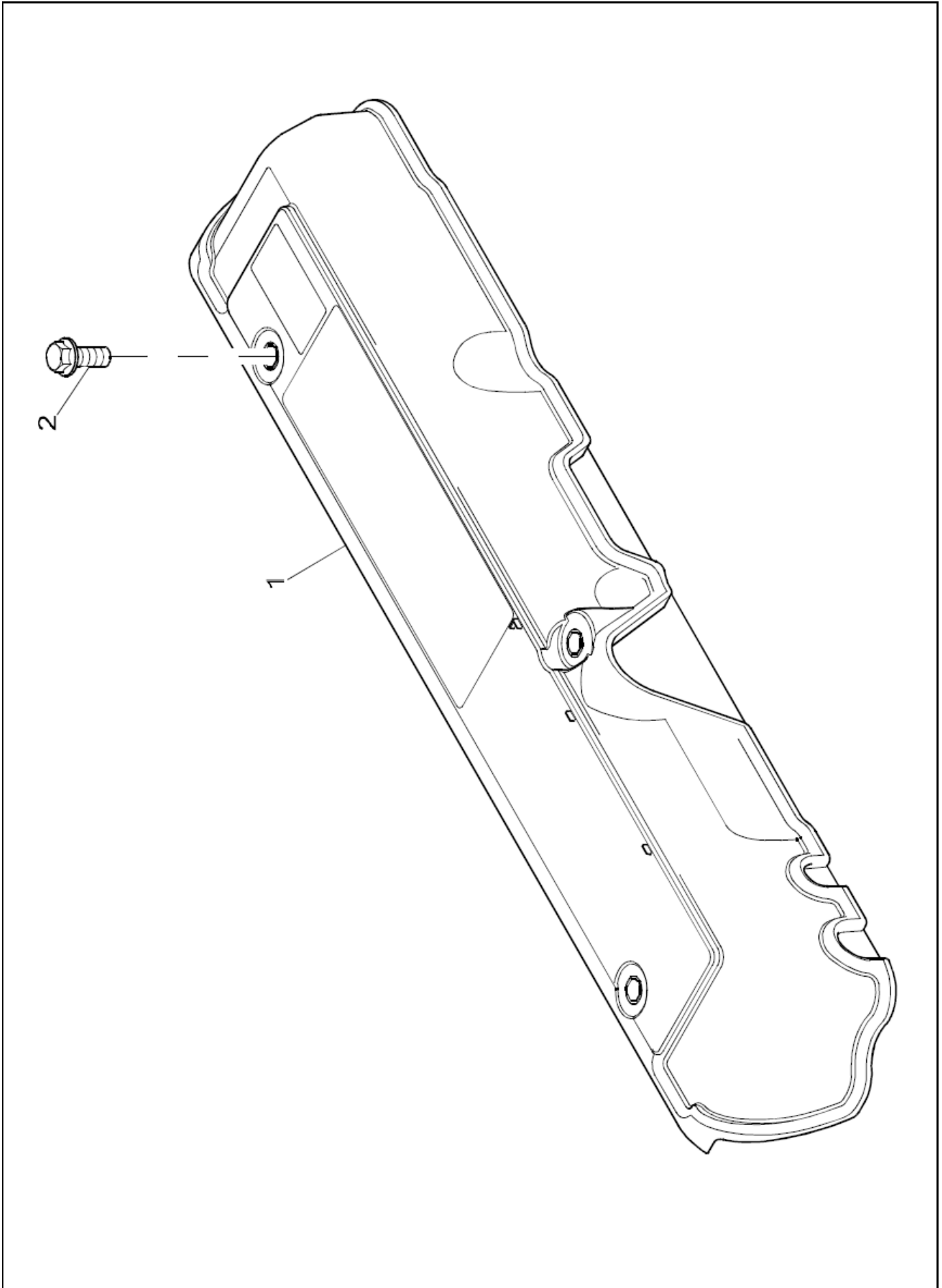
Oil Strainer	03.01.132
---------------------	------------------

Item	Part No	Part Name	Qty.	Remarks
1	P5030190826	SUCTION PIPE	1	
2	P5030190827	GASKET	1	
3	P5030190828	SCREW	2	



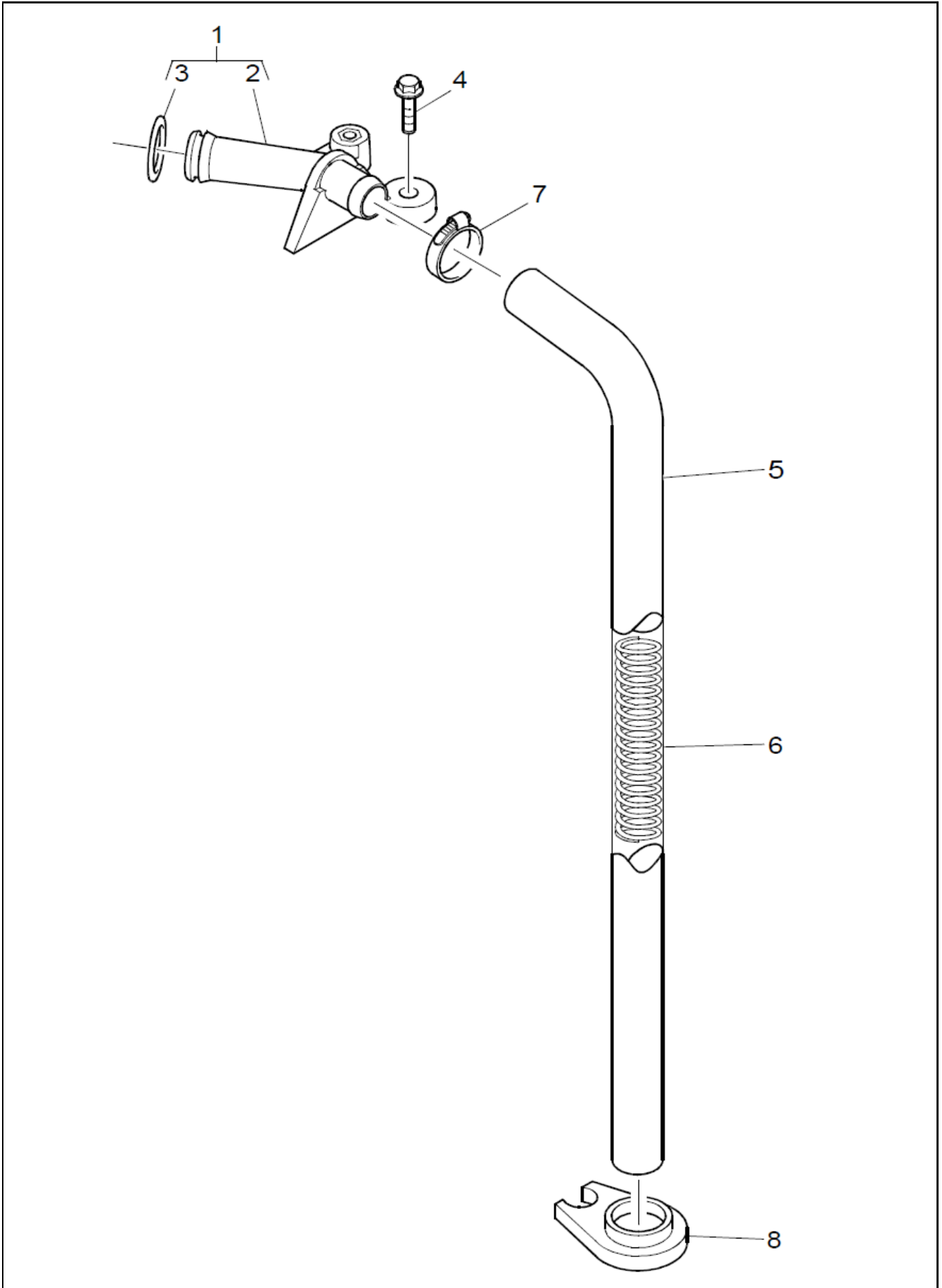
Cylinder Head Cover**03.01.133**

Item	Part No	Part Name	Qty.	Remarks
1	P5030190829	CYL HEAD COVER ASSY	1	
2	P5030190830	CYLINDER HEAD COVER	1	
3	P5030190831	GASKET - CYL. HEAD COVER	1	
4	P5030190832	SCREW	10	
5	P5030190833	SPRING	1	
6	P5030190834	CAP	1	
7	P5030190835	DIAPHRAGM	1	
8	P5030190836	COVER PLATE	1	
9	P5030190837	SCREW	4	
10	P5030190838	CAP	1	
11	P5030190839	OIL FILLER CAP	1	
12	P5030190840	OIL FILLER CAP	1	
13	P5030190841	SEAL - O RING	1	



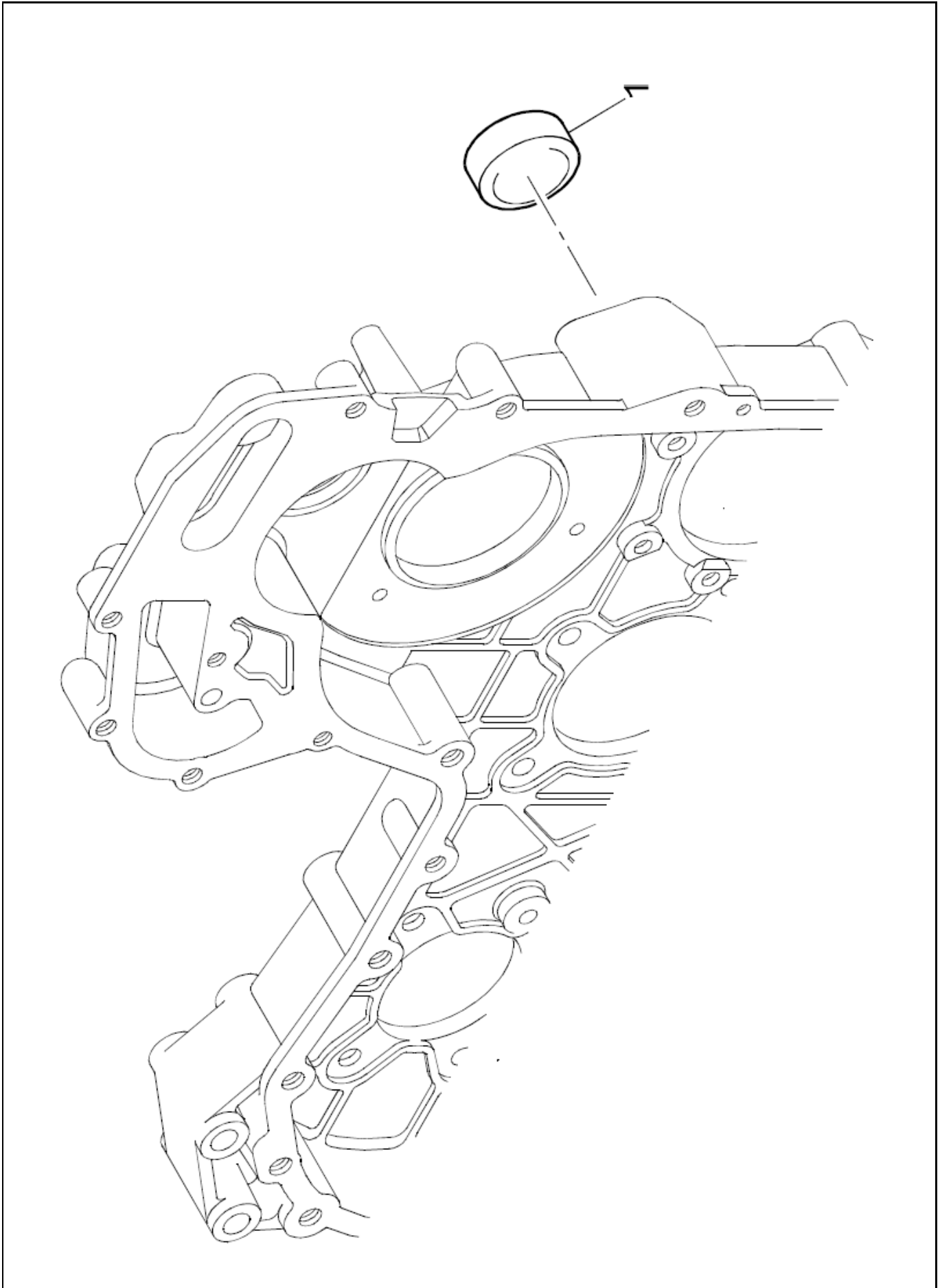
Cylinder Head Cover	03.01.134
----------------------------	------------------

Item	Part No	Part Name	Qty.	Remarks
1	P5030190842	COVER	1	
2	P5030190843	SCREW	3	



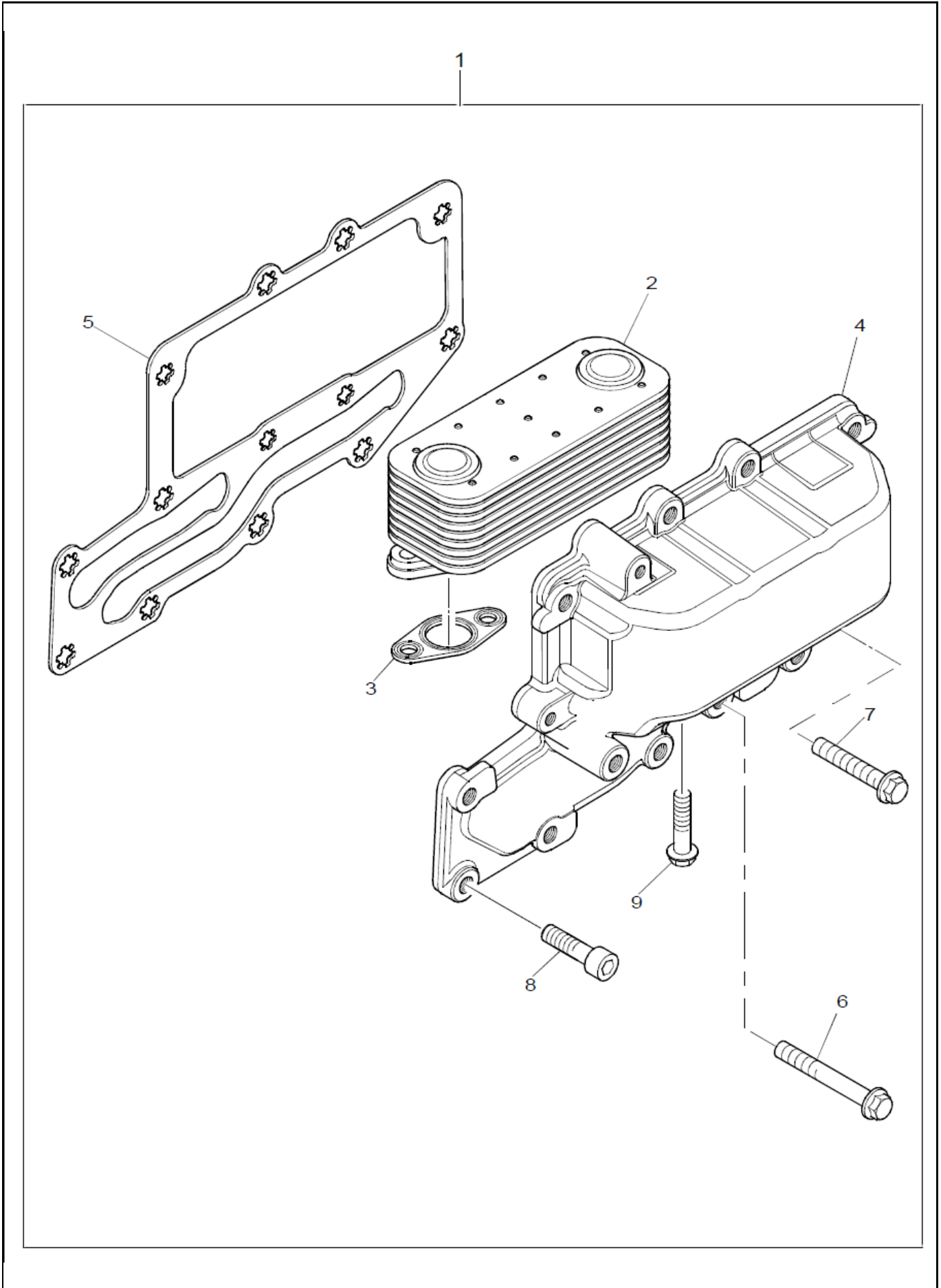
Breather**03.01.135**

Item	Part No	Part Name	Qty.	Remarks
1	P5030190844	PIPE - BREATHER	1	
2	P5030190845	PIPE - BREATHER	1	
3	P5030190846	SEAL - O RING	1	
4	P5030190847	SCREW	1	
5	P5030190848	HOSE	1	
6	P5030190849	SPRING	1	
7	P5030190850	HOSE CLIP	1	
8	P5030190851	SUPPORT BRACKET	1	



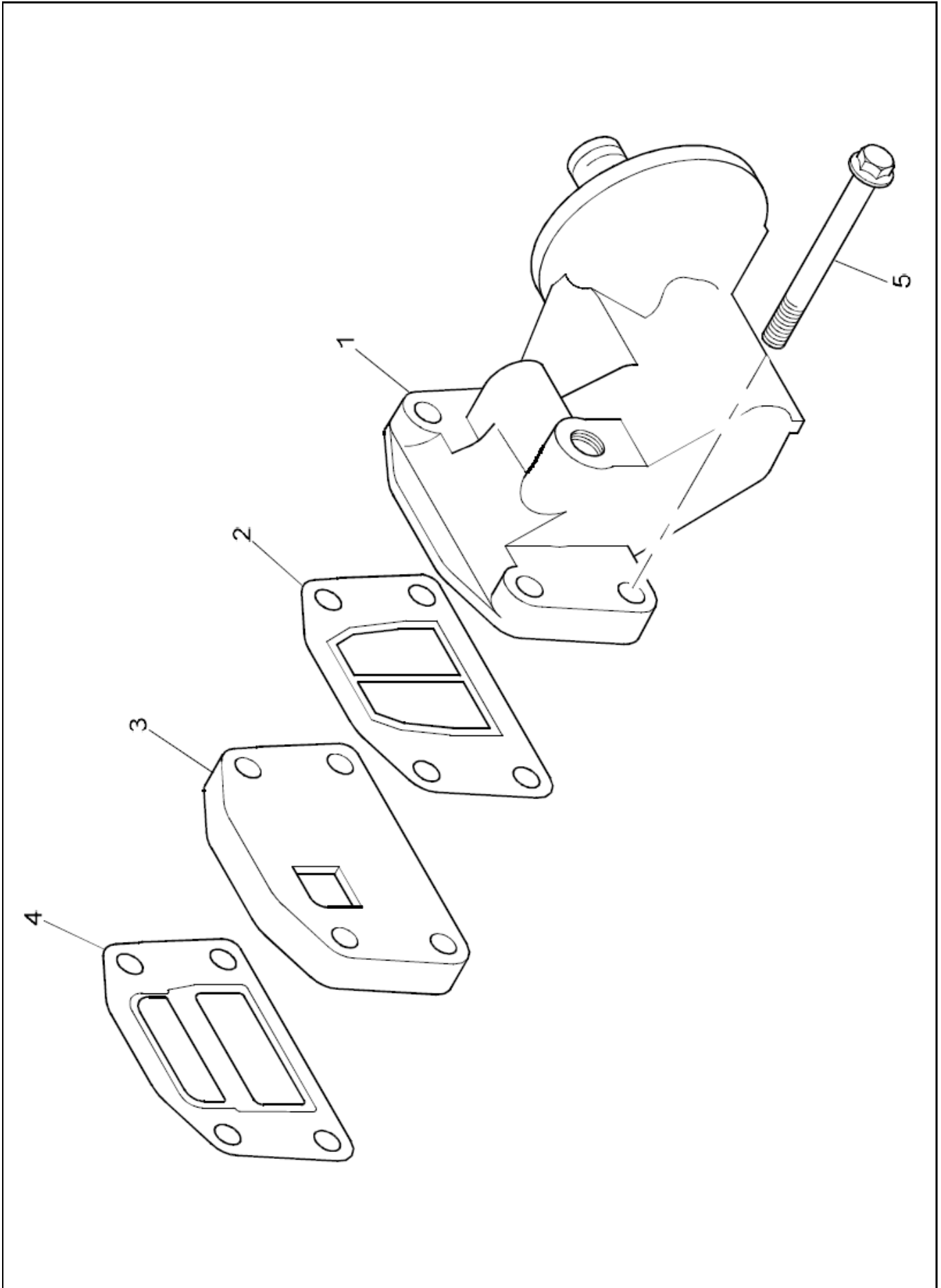
Blanking Plates	03.01.136
------------------------	------------------

Item	Part No	Part Name	Qty.	Remarks
1	P5030191074	PLUG	1	



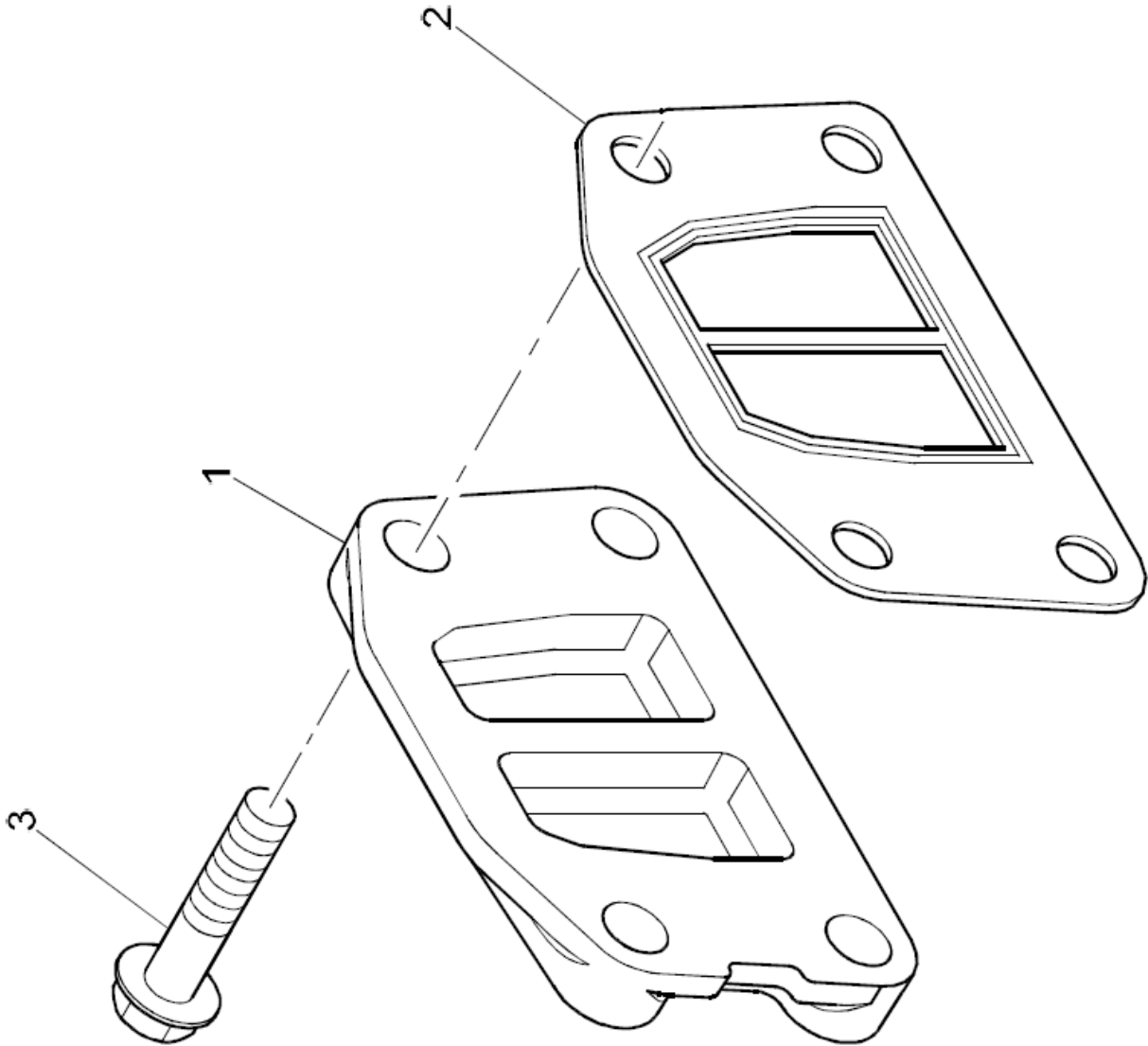
Oil Cooler**03.01.137**

Item	Part No	Part Name	Qty.	Remarks
1	P5030191065	OIL COOLER	1	
2	P5030191066	OIL COOLER	1	
3	P5030191067	GASKET - OIL COOLER	2	
4	P5030191068	HOUSING	1	
5	P5030191069	GASKET - OIL COOLER	1	
6	P5030191070	SCREW	3	
7	P5030191071	SCREW	8	
8	P5030191072	SCREW	2	
9	P5030191073	SCREW	4	



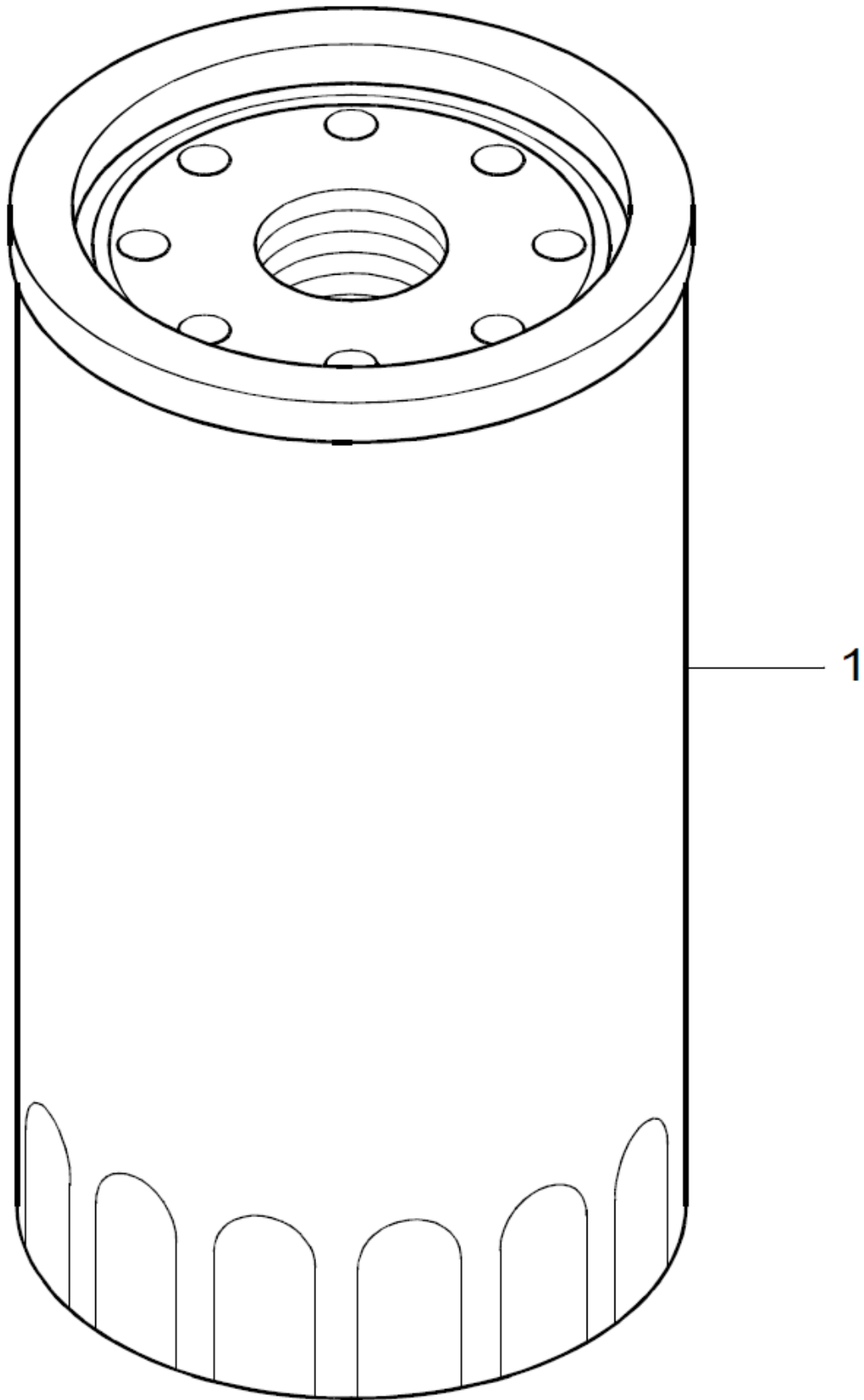
Oil Filter**03.01.138**

Item	Part No	Part Name	Qty.	Remarks
1	P5030191060	OIL FILTER HEAD	1	
2	P5030191061	GASKET - OIL FILTER HEAD	1	
3	P5030191062	ADAPTOR	1	
4	P5030191063	GASKET - OIL FILTER HEAD	1	
5	P5030191064	SCREW	4	



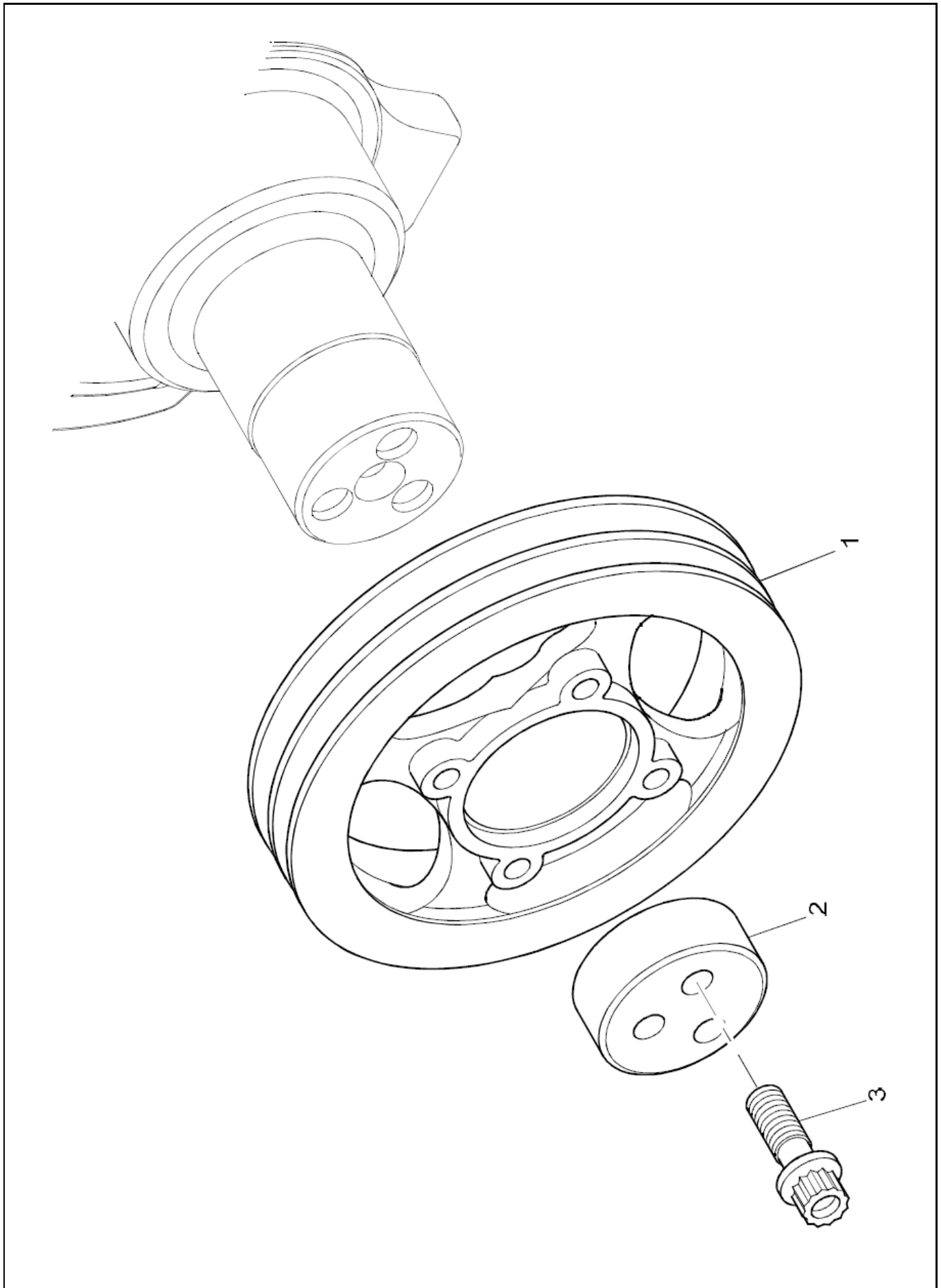
Blanking Plates**03.01.139**

Item	Part No	Part Name	Qty.	Remarks
1	P5030191057	BLANKING COVER	1	
2	P5030191058	GASKET - OIL FILTER HEAD	1	
3	P5030191059	SCREW	4	



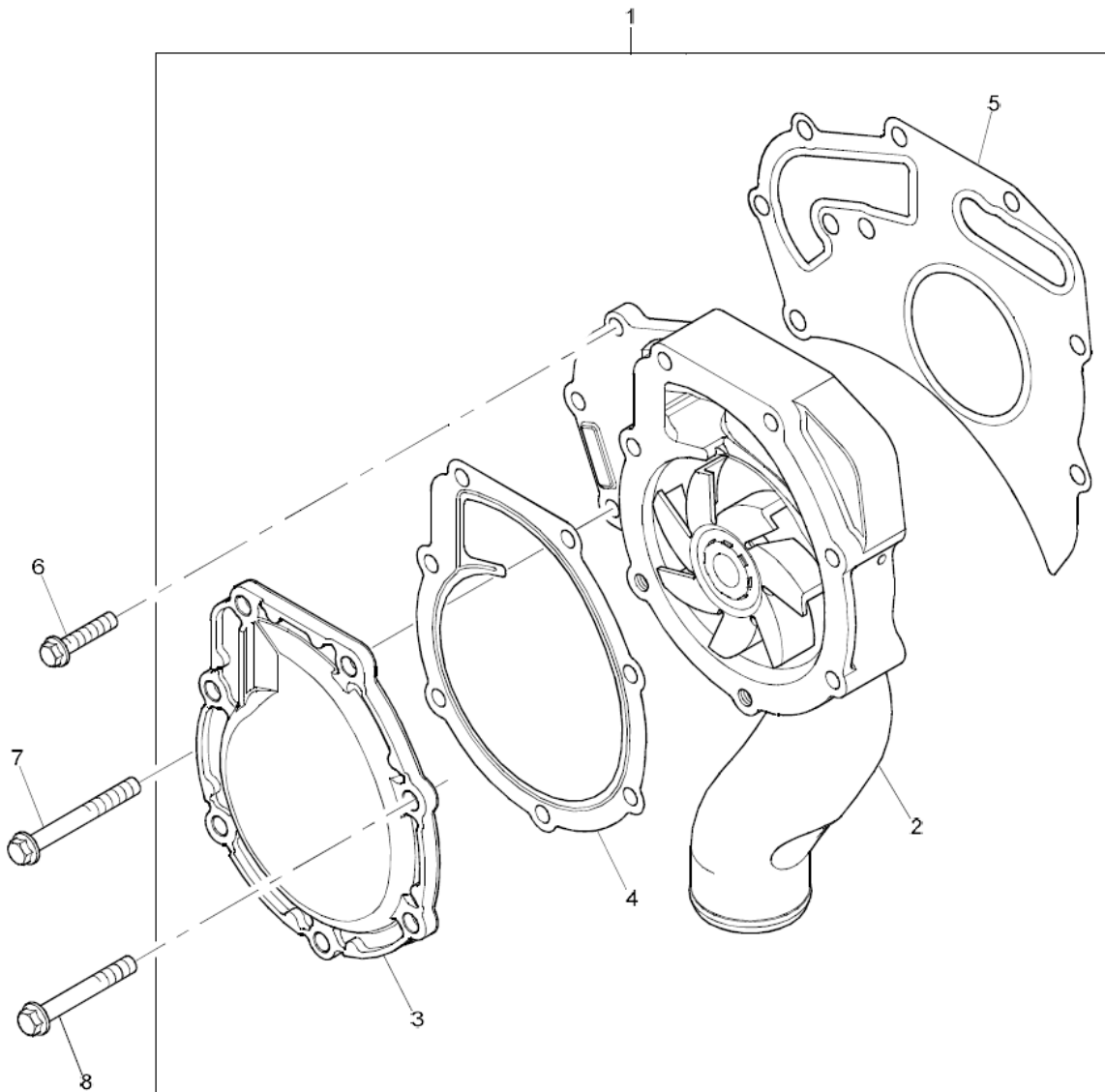
Oil Filter	03.01.140
-------------------	------------------

Item	Part No	Part Name	Qty.	Remarks
1	P5030191056	OIL FILTER	1	



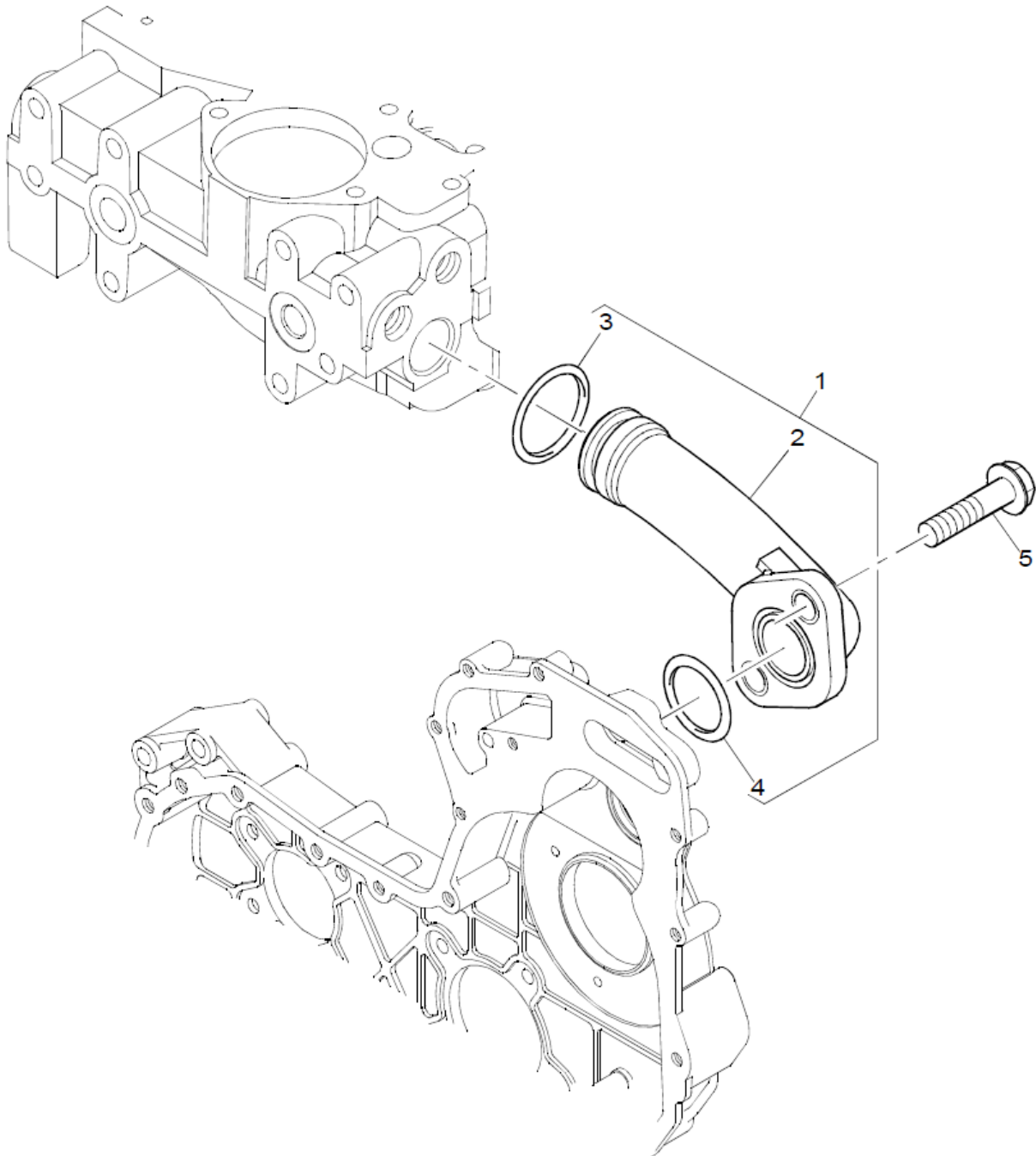
Front End Drive Input	03.01.141
------------------------------	------------------

Item	Part No	Part Name	Qty.	Remarks
1	P5030191053	CRANKSHAFT PULLEY	1	
2	P5030191054	BLOCK	1	
3	P5030191055	BOLT	3	



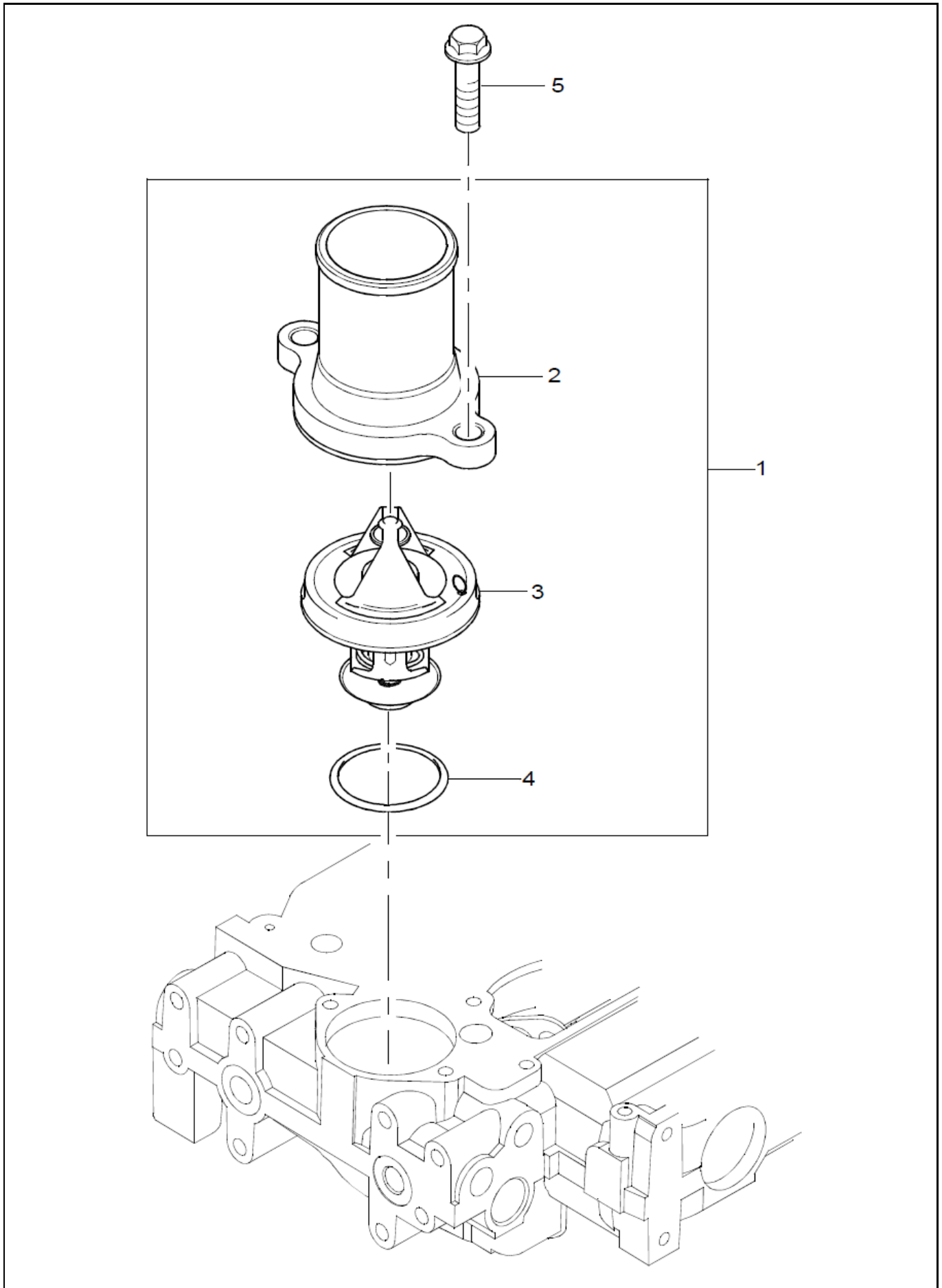
Water Pump**03.01.142**

Item	Part No	Part Name	Qty.	Remarks
1	P5030191047	WATER PUMP KIT	1	
2	P5030191047	WATER PUMP	1	
3	P5030191047	COVER	1	
4	P5030191048	GASKET - WATER PUMP	1	
5	P5030191049	GASKET - WATER PUMP	1	
6	P5030191050	SCREW	2	
7	P5030191051	SCREW	2	
8	P5030191052	SCREW	5	



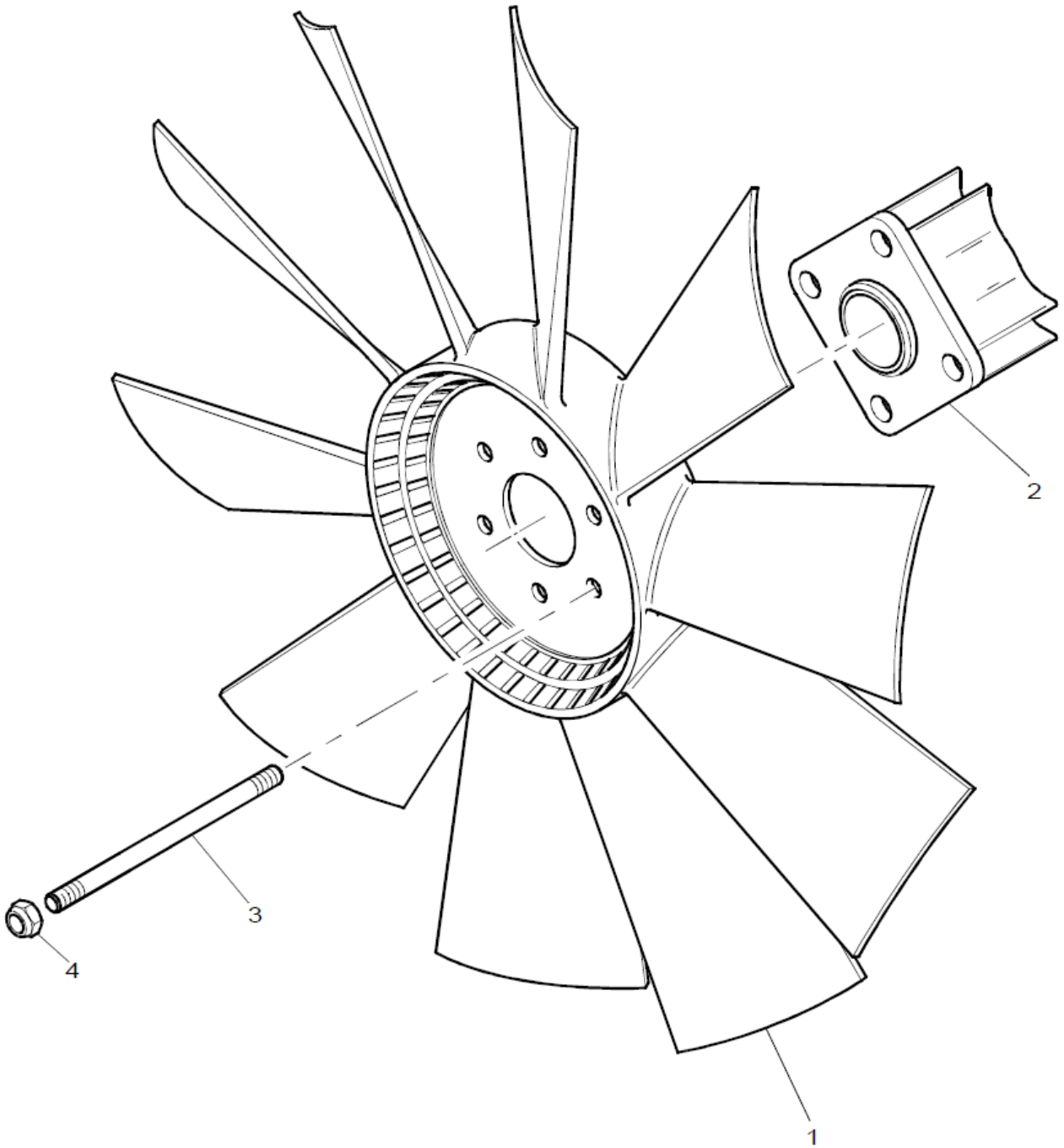
Pipes	03.01.143
--------------	------------------

Item	Part No	Part Name	Qty.	Remarks
1	P5030191040	CONNECTION	1	
2	P5030191041	CONNECTION	1	
3	P5030191042	SEAL - O RING	1	
4	P5030191043	SEAL - O RING	1	
5	P5030191044	SCREW	2	



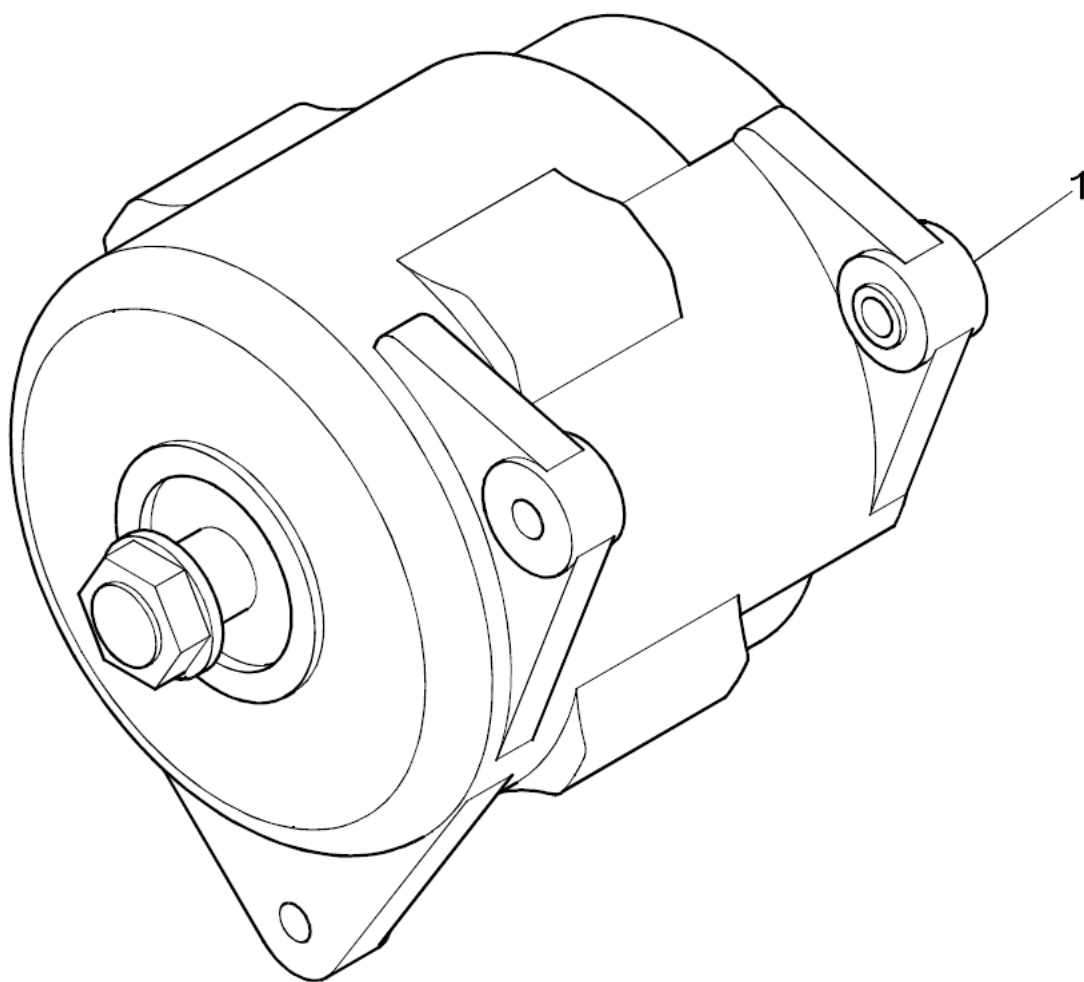
Water Outlet Housing**03.01.144**

Item	Part No	Part Name	Qty.	Remarks
1	P5030191035	THERMOSTAT ASSEMBLY	1	
2	P5030191036	CONNECTION	1	
3	P5030191037	THERMOSTAT	1	
4	P5030191038	SEAL - THERMOSTAT HOUSING	1	
5	P5030191039	SCREW	2	



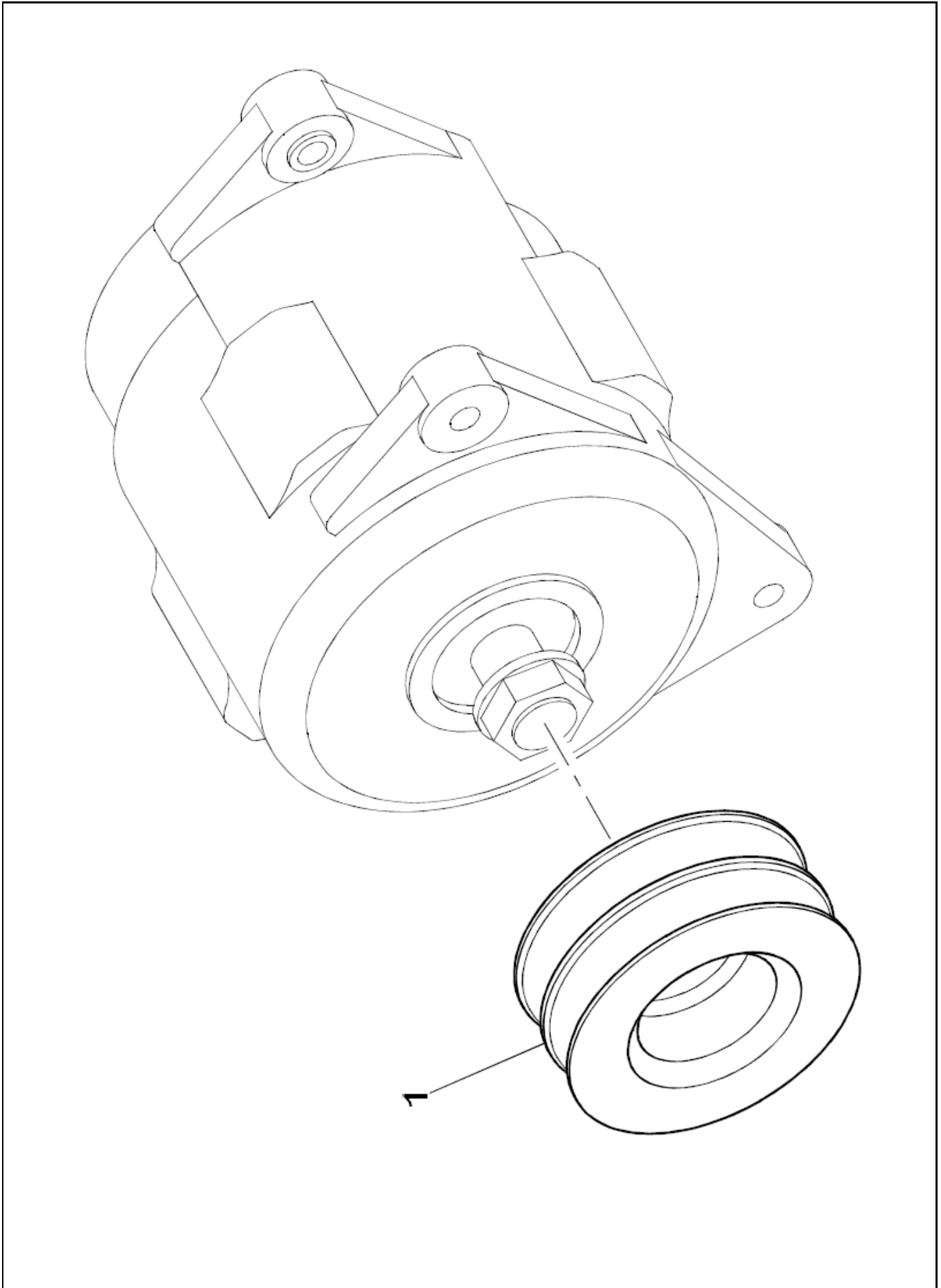
Fan	03.01.145
------------	------------------

Item	Part No	Part Name	Qty.	Remarks
1	P5030191031	FAN	1	
2	P5030191032	EXTENSION	1	
3	P5030191033	STUD	4	
4	P5030191034	NUT	4	



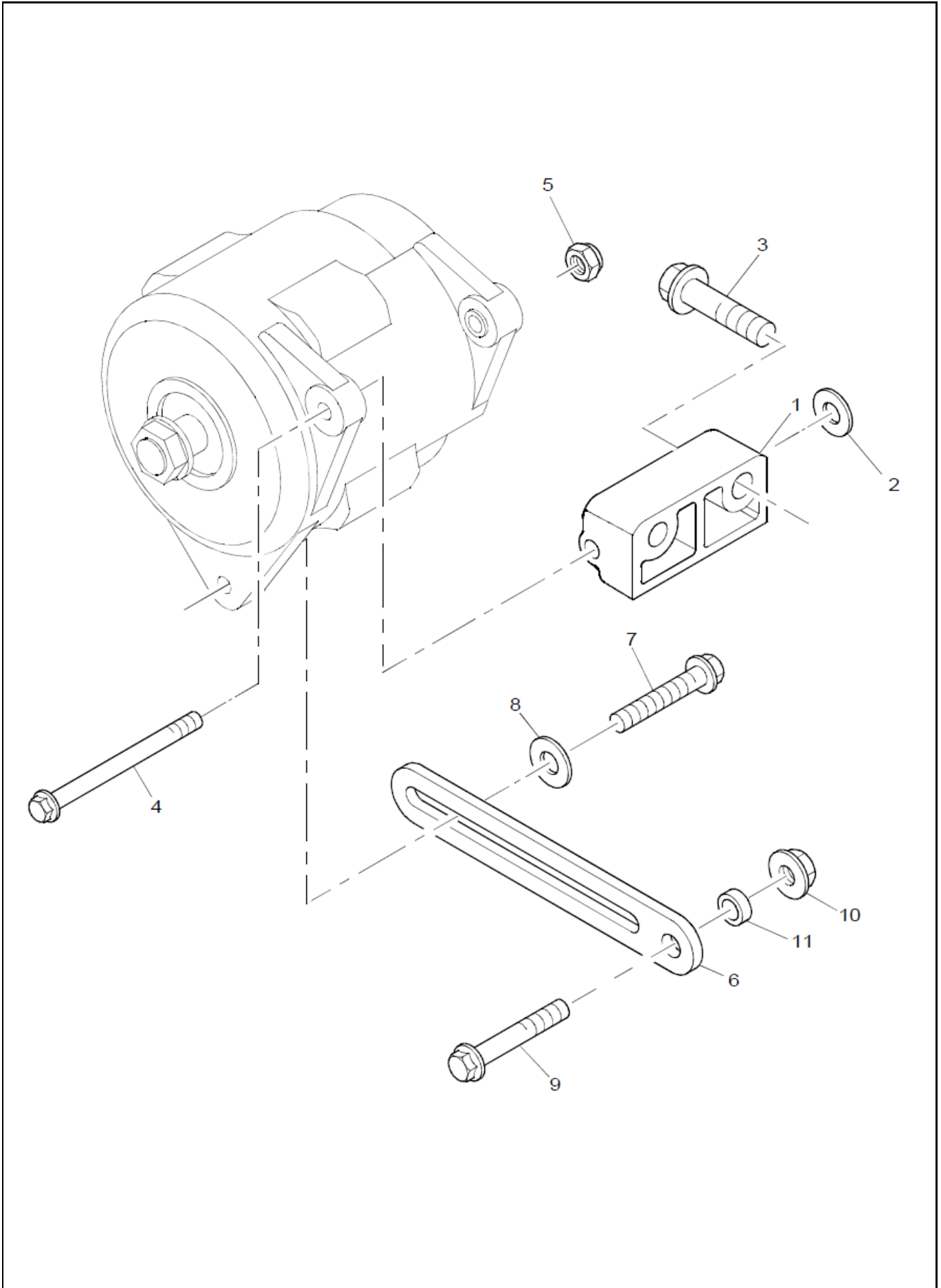
Alternator	03.01.146
-------------------	------------------

Item	Part No	Part Name	Qty.	Remarks
1	P5030191030	ALTERNATOR	1	



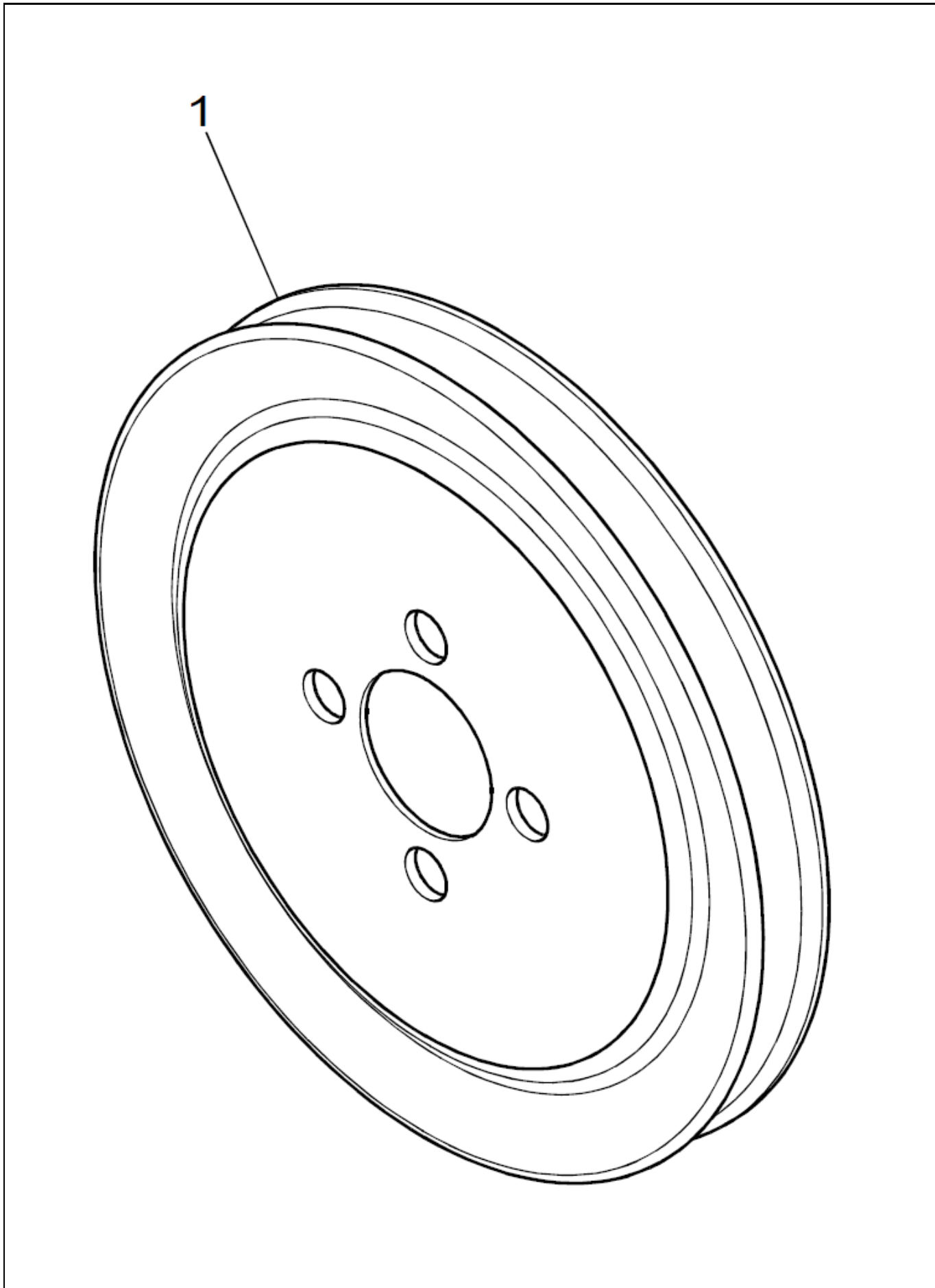
Pulleys	03.01.147
----------------	------------------

Item	Part No	Part Name	Qty.	Remarks
1	P5030191028	GROOVE ALTERNATOR PUL	1	



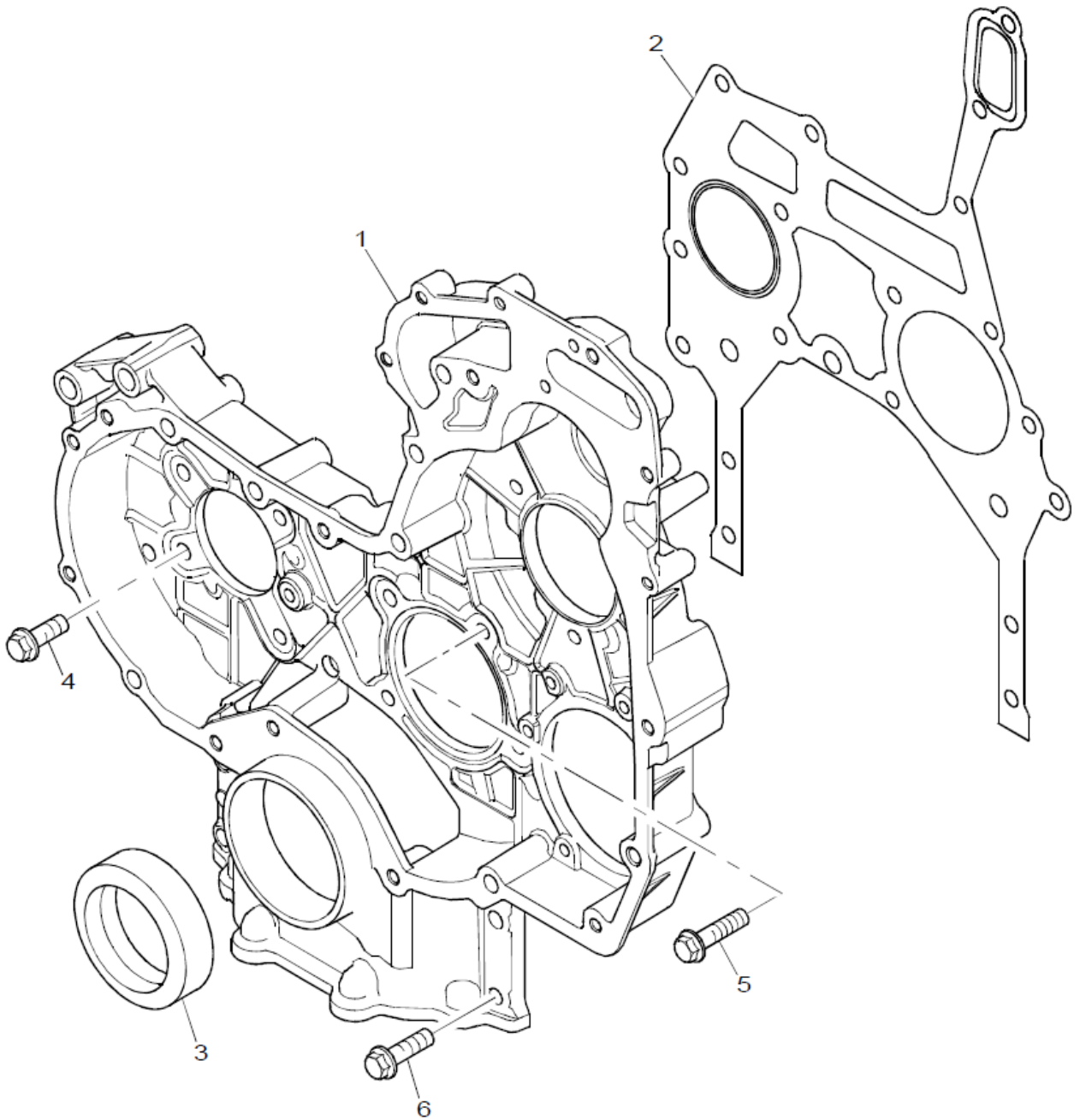
Alternator Bracket & Fixings**03.01.148**

Item	Part No	Part Name	Qty.	Remarks
1	P5030191017	ALTERNATOR BRACKET	1	
2	P5030191018	WASHER	1	
3	P5030191019	SCREW	1	
4	P5030191020	SCREW	1	
5	P5030191021	NUT	1	
6	P5030191022	LEVER	1	
7	P5030191023	SCREW	1	
8	P5030191024	WASHER	1	
9	P5030191025	SCREW	1	
10	P5030191026	NUT	1	
11	P5030191027	SPACER	1	



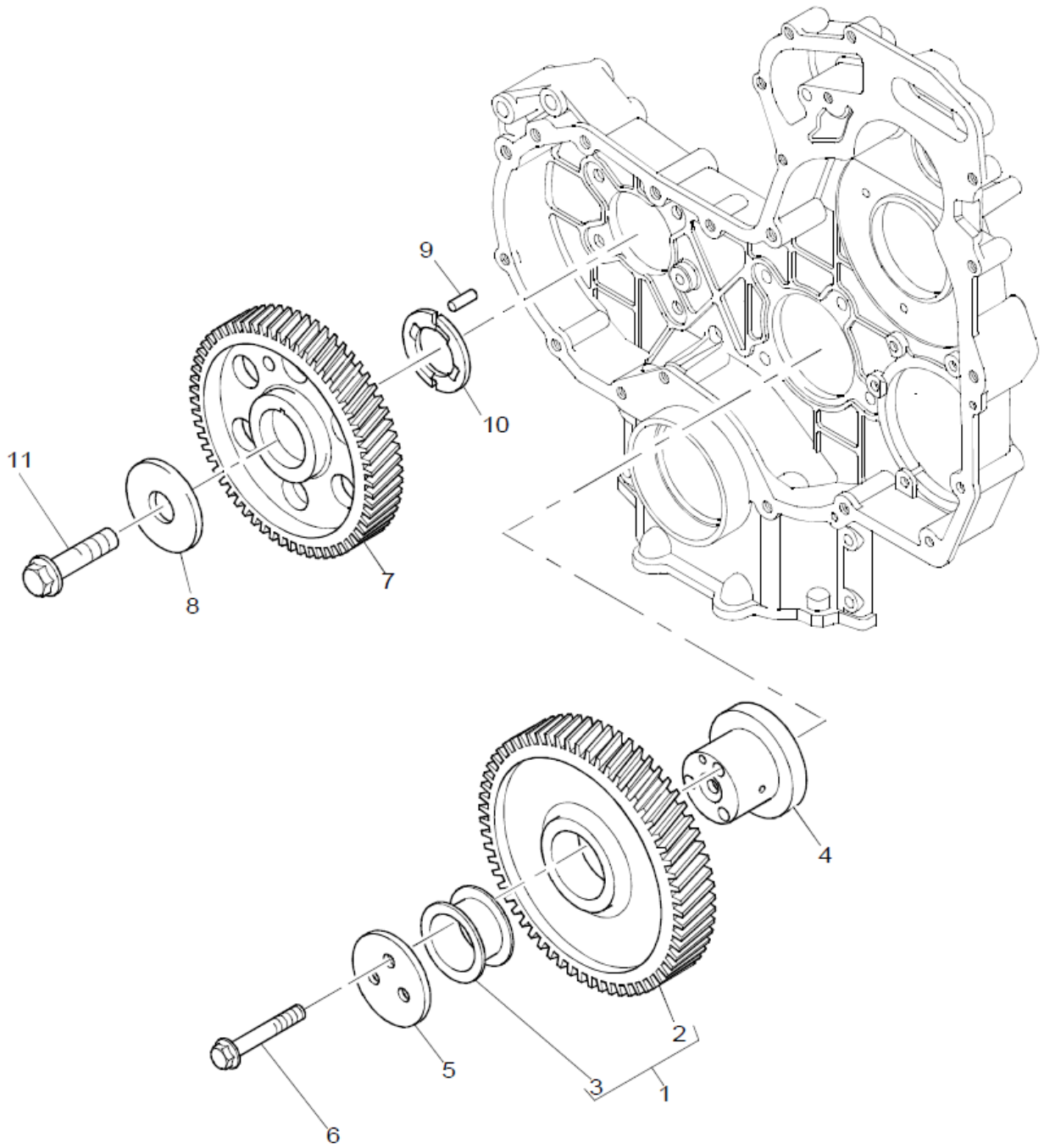
Auxiliary Drive	03.01.149
------------------------	------------------

Item	Part No	Part Name	Qty.	Remarks
1	P5030191016	AUXILIARY PULLEY	1	



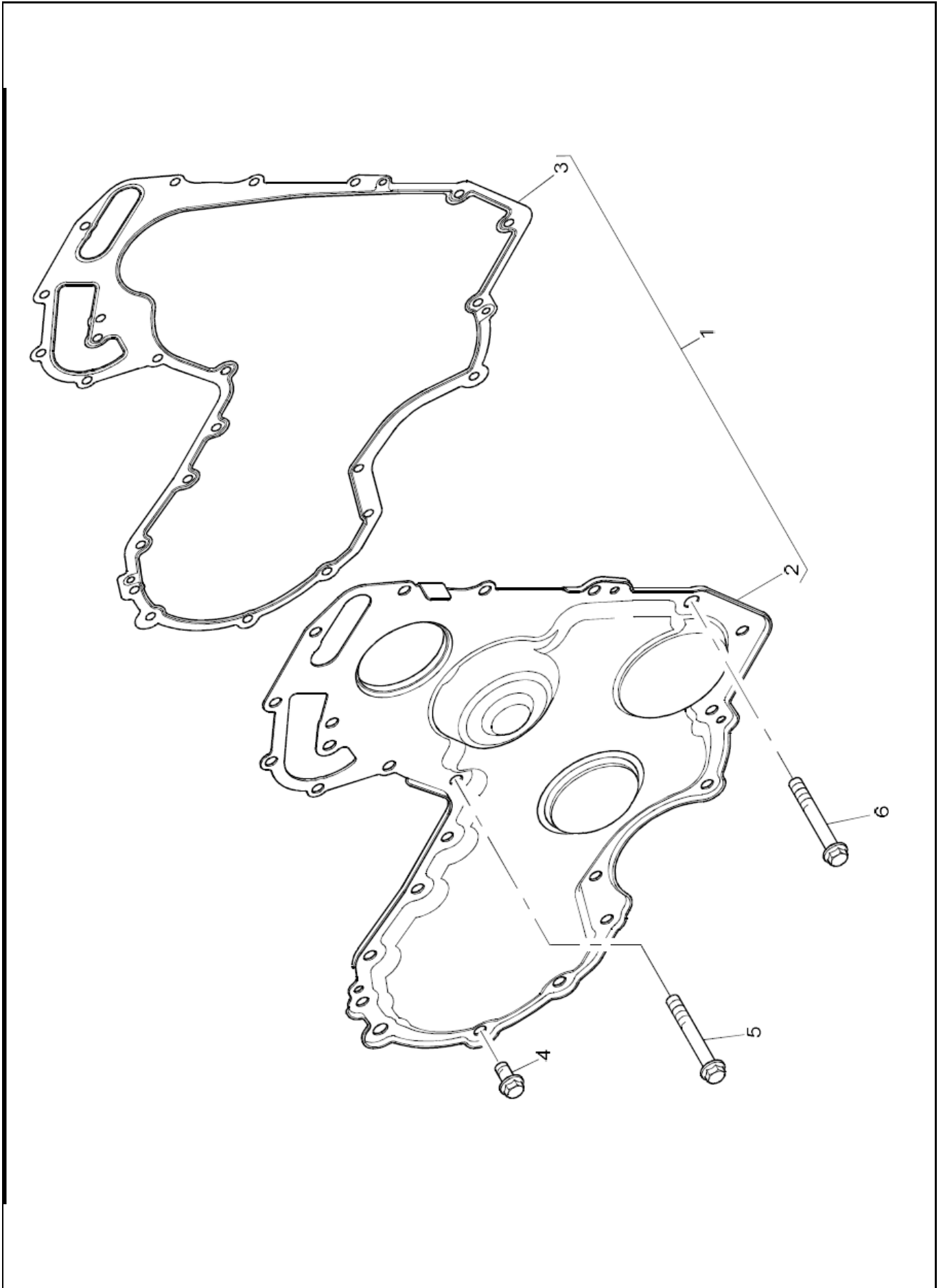
Timing Case	03.01.150
--------------------	------------------

Item	Part No	Part Name	Qty.	Remarks
1	P5030191010	TIMING CASE	1	
2	P5030191011	GASKET - TIMING CASE	1	
3	P5030191012	SEAL - FRONT END OIL	1	
4	P5030191013	SCREW	6	
5	P5030191014	SCREW	2	
6	P5030191015	SCREW	4	



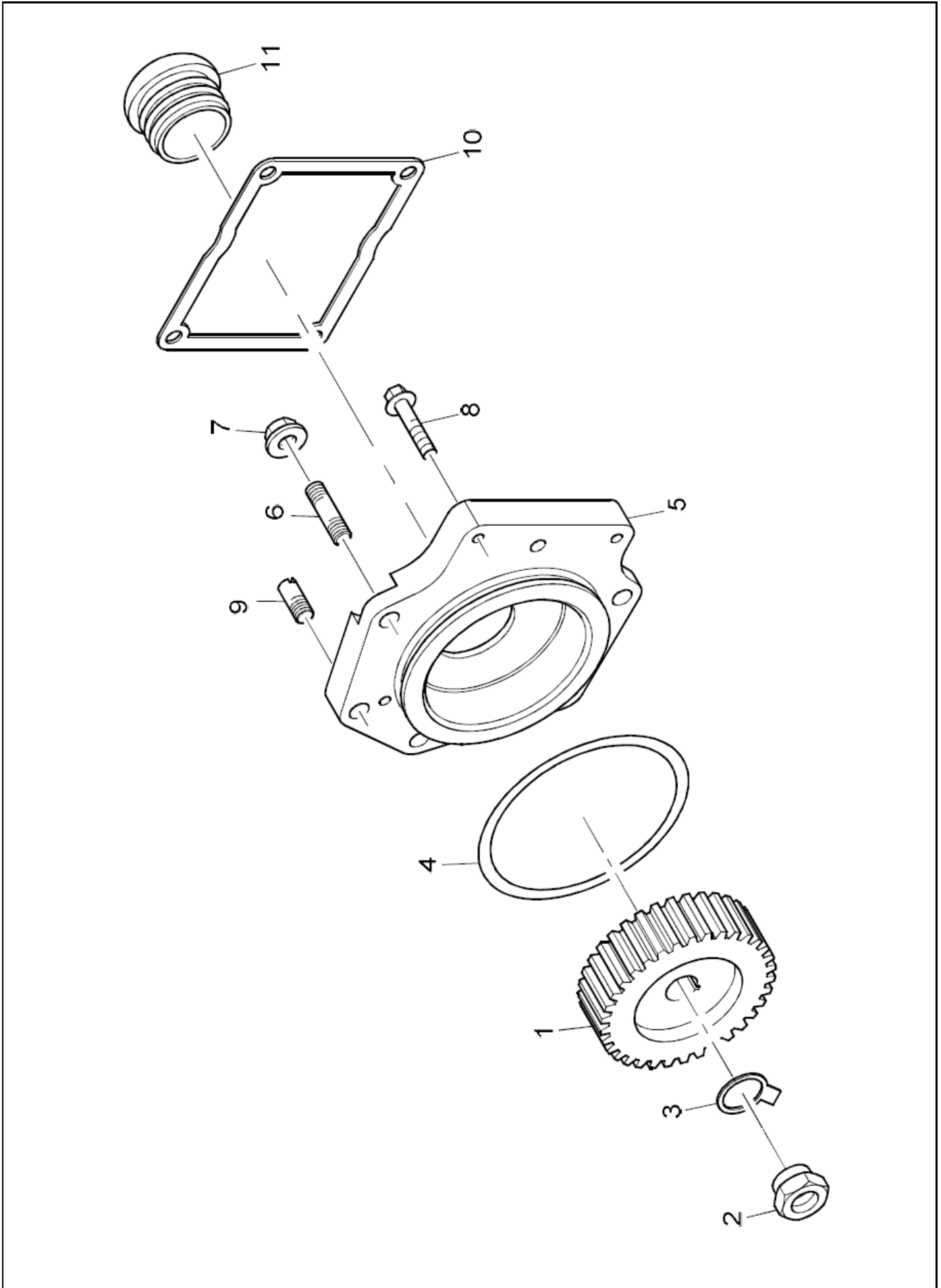
Timing Case**03.01.151**

Item	Part No	Part Name	Qty.	Remarks
1	P5030190999	IDLER GEAR	1	USED ONLY WITH 3
2	P5030191000	IDLER GEAR	1	
3	P5030191001	BUSH	1	
4	P5030191002	HUB	1	
5	P5030191003	PLATE	1	USED ONLY WITH 4
6	P5030191004	SCREW	3	
7	P5030191005	CAMSHAFT GEAR	1	
8	P5030191006	WASHER	1	
9	P5030191007	DOWEL	1	
10	P5030191008	THRUST WASHER	1	
11	P5030191009	SCREW	1	



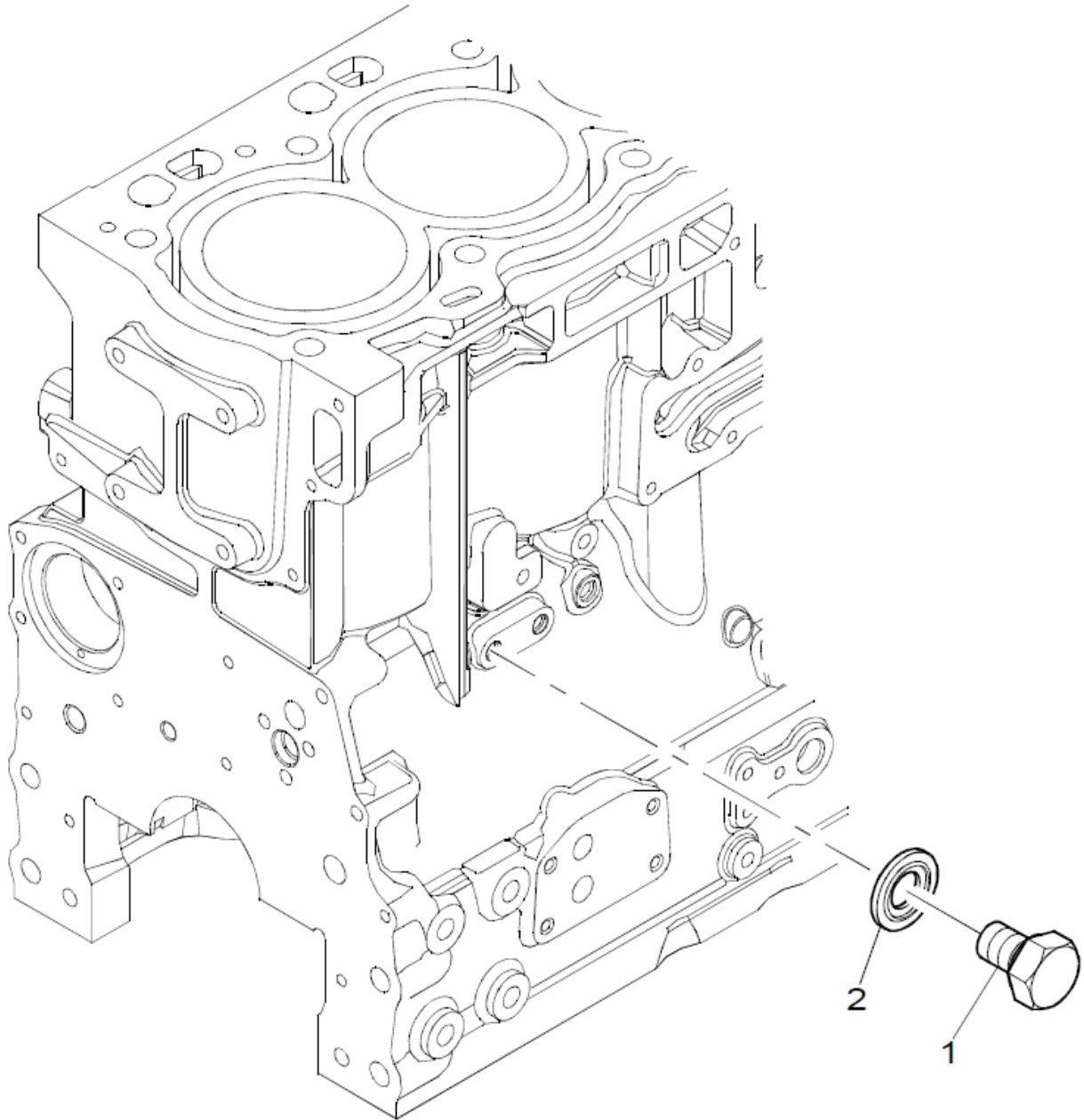
Timing Cover**03.01.152**

Item	Part No	Part Name	Qty.	Remarks
1	P5030190993	TIMINGGEAR COVER	1	
2	P5030190994	TIMING COVER	1	
3	P5030190995	GASKET - TIMING CASE COVER	1	
4	P5030190996	SCREW	9	
5	P5030190997	SCREW	5	
6	P5030190998	SCREW	1	



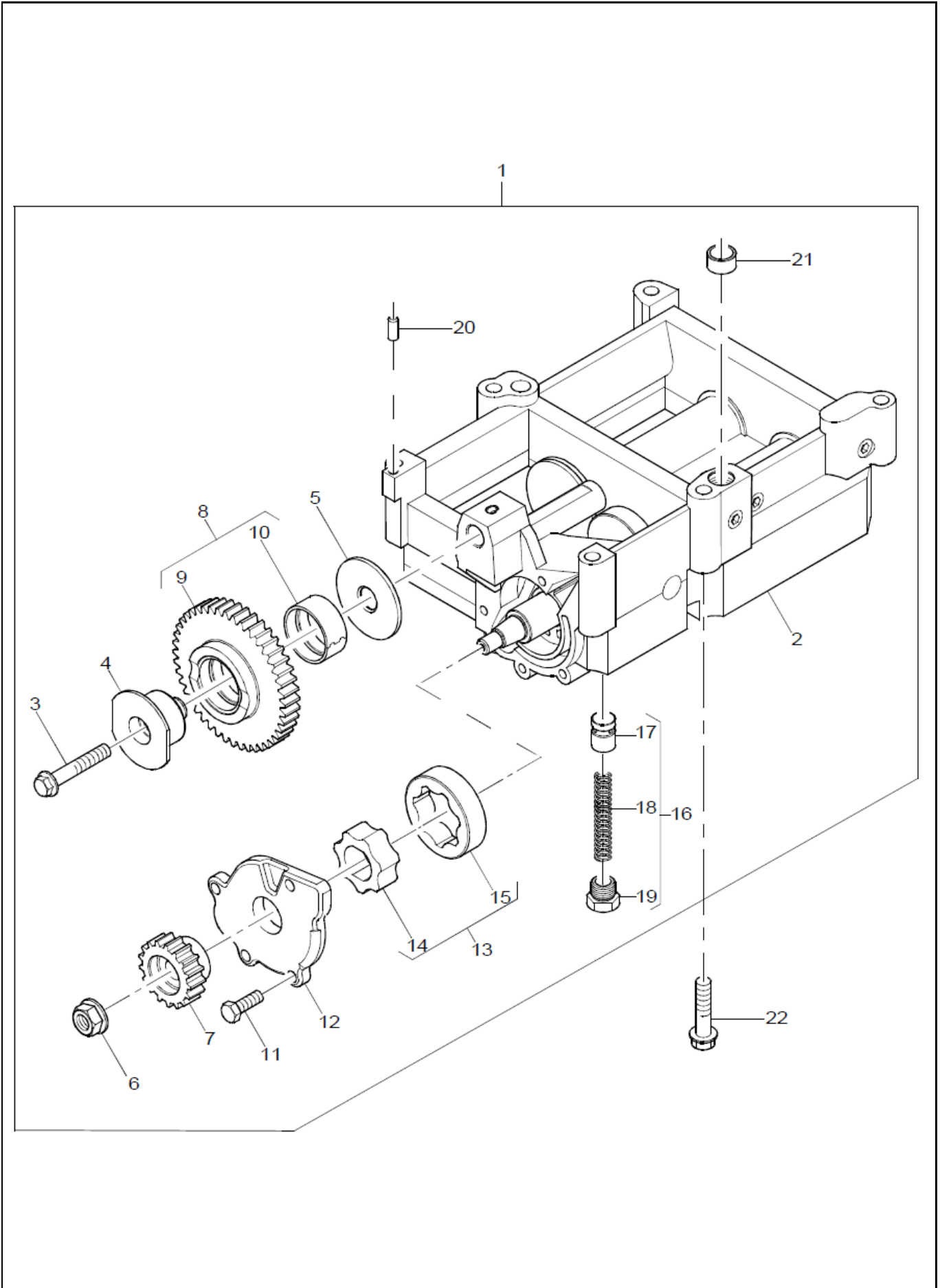
Drive Adaptor**03.01.153**

Item	Part No	Part Name	Qty.	Remarks
1	P5030190980	GEAR	1	
2	P5030190981	NUT M12x 1.25	1	
2	P5030190982	NUT M12x 1.5	1	
2	P5030190983	NUT 7/16"	1	
3	P5030190984	WASHER	1	
4	P5030190985	SEAL - O RING	1	
5	P5030190986	ADAPTOR	1	
6	P5030190987	STUD	4	
7	P5030190988	NUT	4	
8	P5030190989	SCREW	4	
9	P5030190990	PIN	1	
10	P5030190991	GASKET	1	
11	P5030190992	PLUG	1	

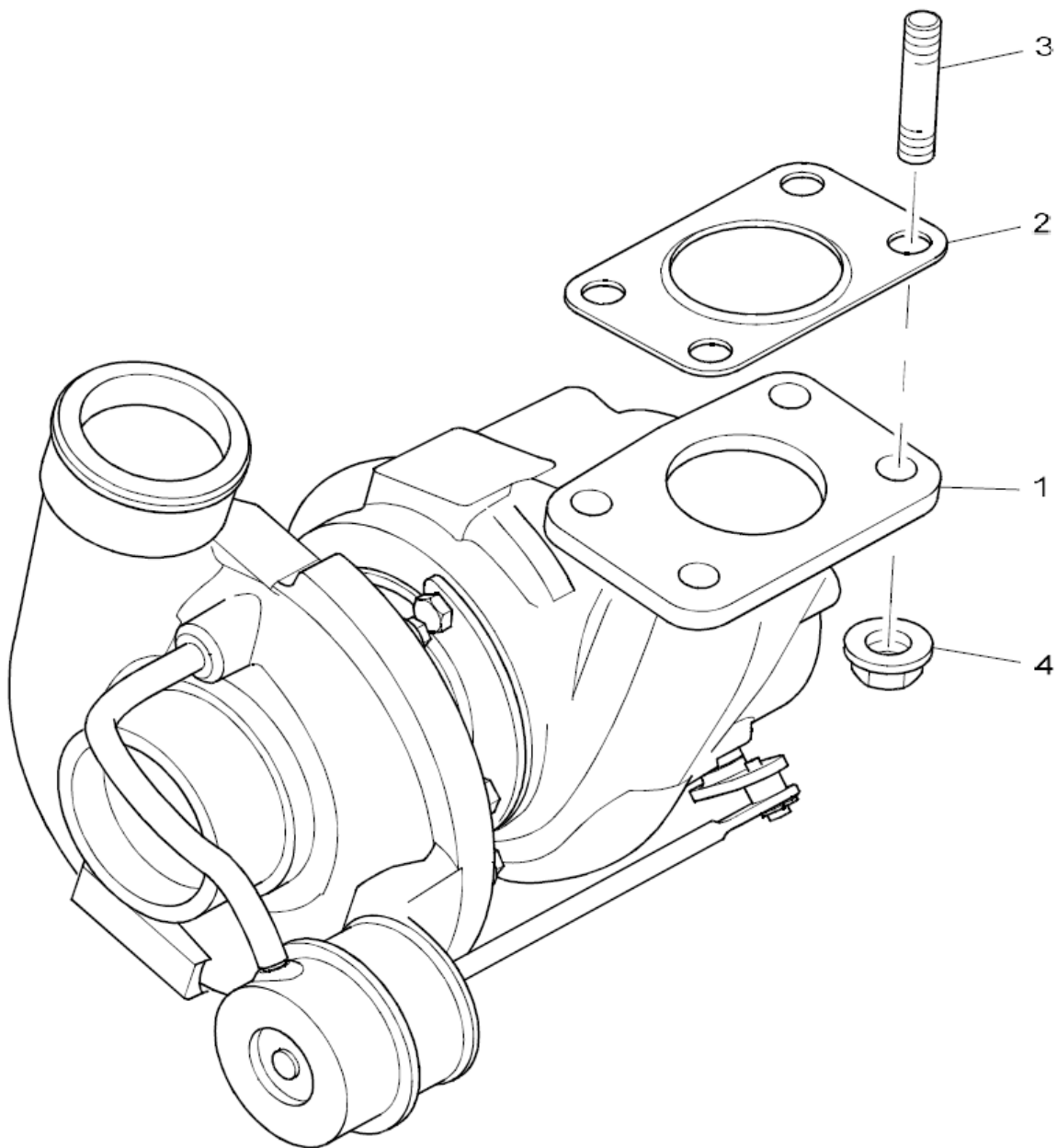


Blanking Plugs**03.01.154**

Item	Part No	Part Name	Qty.	Remarks
1	P5030190978	Screw	1	
2	P5030190979	Washer	1	

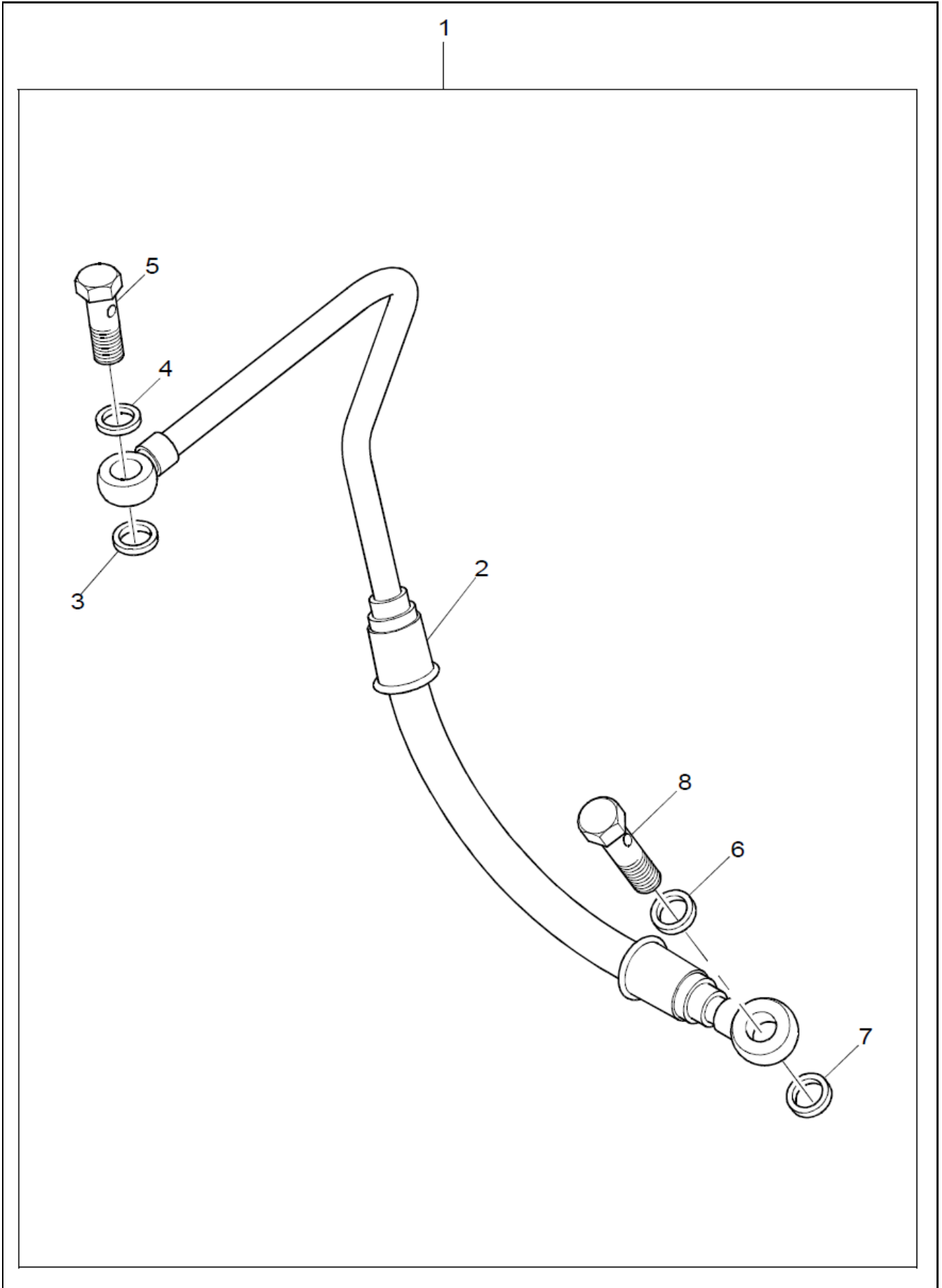


Item	Part No	Part Name	Qty.	Remarks
1	P5030190956	BALANCER	1	
2	P5030190957	FRAME	1	
3	P5030190958	BOLT	1	
4	P5030190959	SHAFT	1	
5	P5030190960	THRUST WASHER	1	
6	P5030190961	NUT	1	
7	P5030190962	BALANCER GEAR	1	
8	P5030190963	BALANCER GEAR	1	
9	P5030190964	GEAR	1	
10	P5030190965	BEARING	1	
11	P5030190966	SCREW	5	
12	P5030190967	COVER	1	
13	P5030190968	ROTOR	1	
14	P5030190969	ROTOR	1	
15	P5030190970	ROTOR	1	
16	P5030190971	RELIEF VALVE	1	
17	P5030190972	CONTACT	1	
18	P5030190973	SPRING	1	
19	P5030190974	PLUG	1	
20	P5030190975	DOWEL	1	
21	P5030190976	THIMBLE	1	
22	P5030190977	SCREW	6	



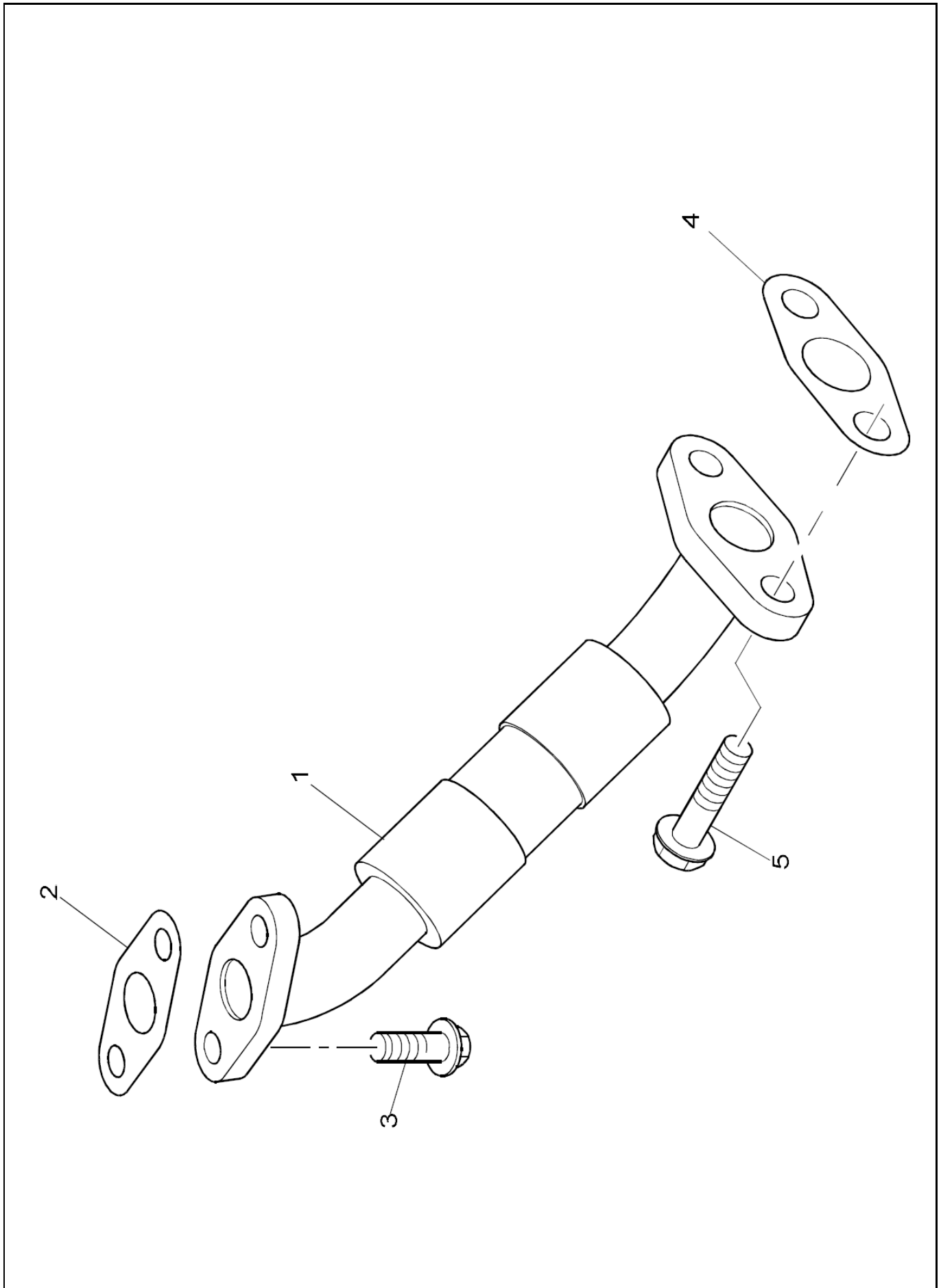
Turbocharger**03.01.156**

Item	Part No	Part Name	Qty.	Remarks
1	P5030190951	TURBOCHARGER	1	
1	P5030190952	TURBOCHARGER - EXCHANGE	1	
2	P5030190953	GASKET - TURBOCHARGER	1	
3	P5030190954	STUD	4	
4	P5030190955	NUT	4	



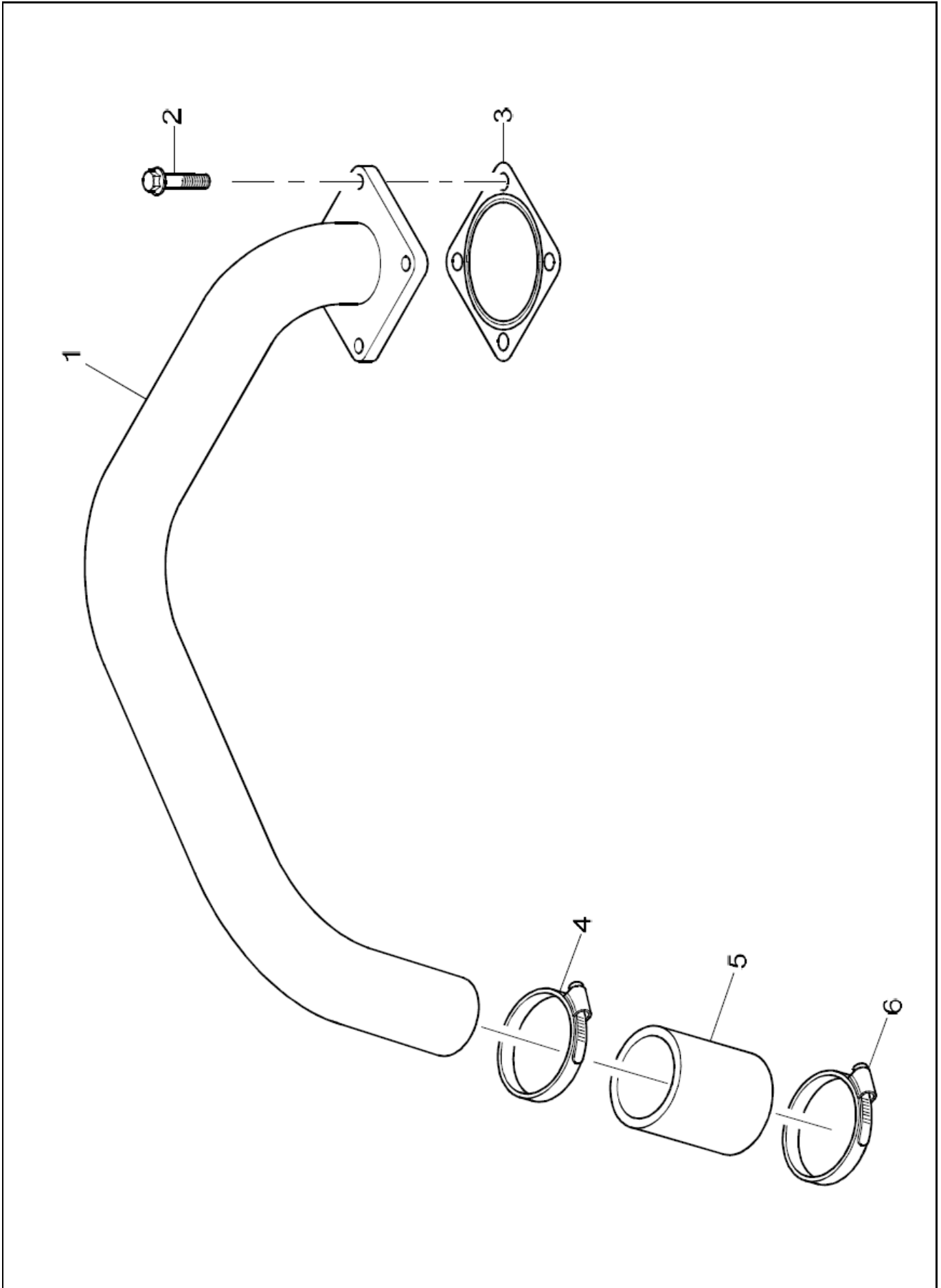
Oil Feed Pipes**03.01.157**

Item	Part No	Part Name	Qty.	Remarks
1	P5030190943	PIPE - TURBO OIL FEED	1	
2	P5030190944	PIPE - TURBO OIL FEED	1	
3	P5030190945	WASHER	1	
4	P5030190946	WASHER	1	
5	P5030190947	BANJO BOLT	1	
6	P5030190948	WASHER	1	
7	P5030190949	WASHER	4	
8	P5030190950	BANJO BOLT	2	



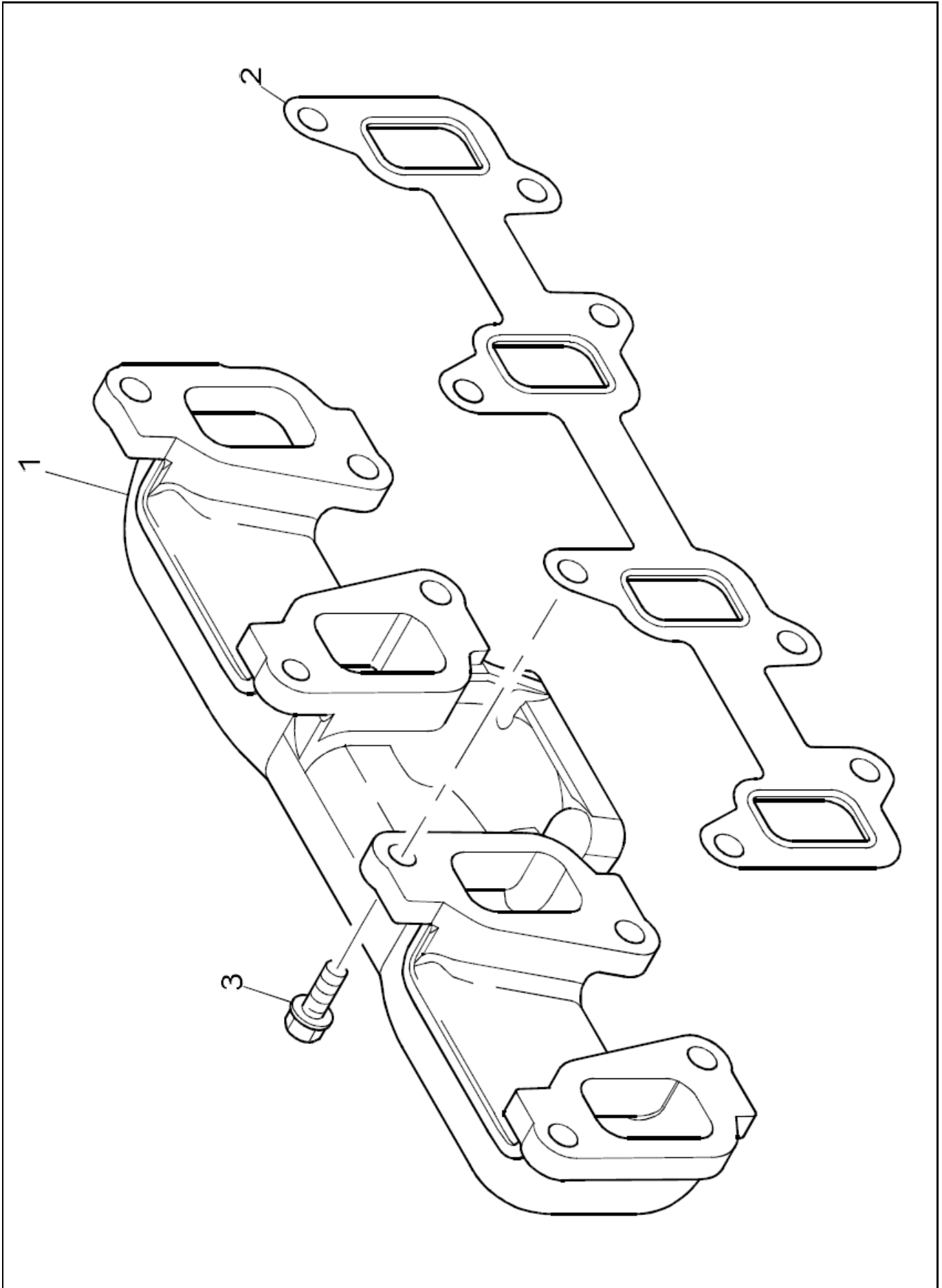
Leak-Off Pipes**03.01.158**

Item	Part No	Part Name	Qty.	Remarks
1	P5030190938	PIPE - TURBO OIL DRAIN	1	
2	P5030190939	GASKET	1	
3	P5030190940	SCREW	2	
4	P5030190941	GASKET	1	
5	P5030190942	SCREW	2	



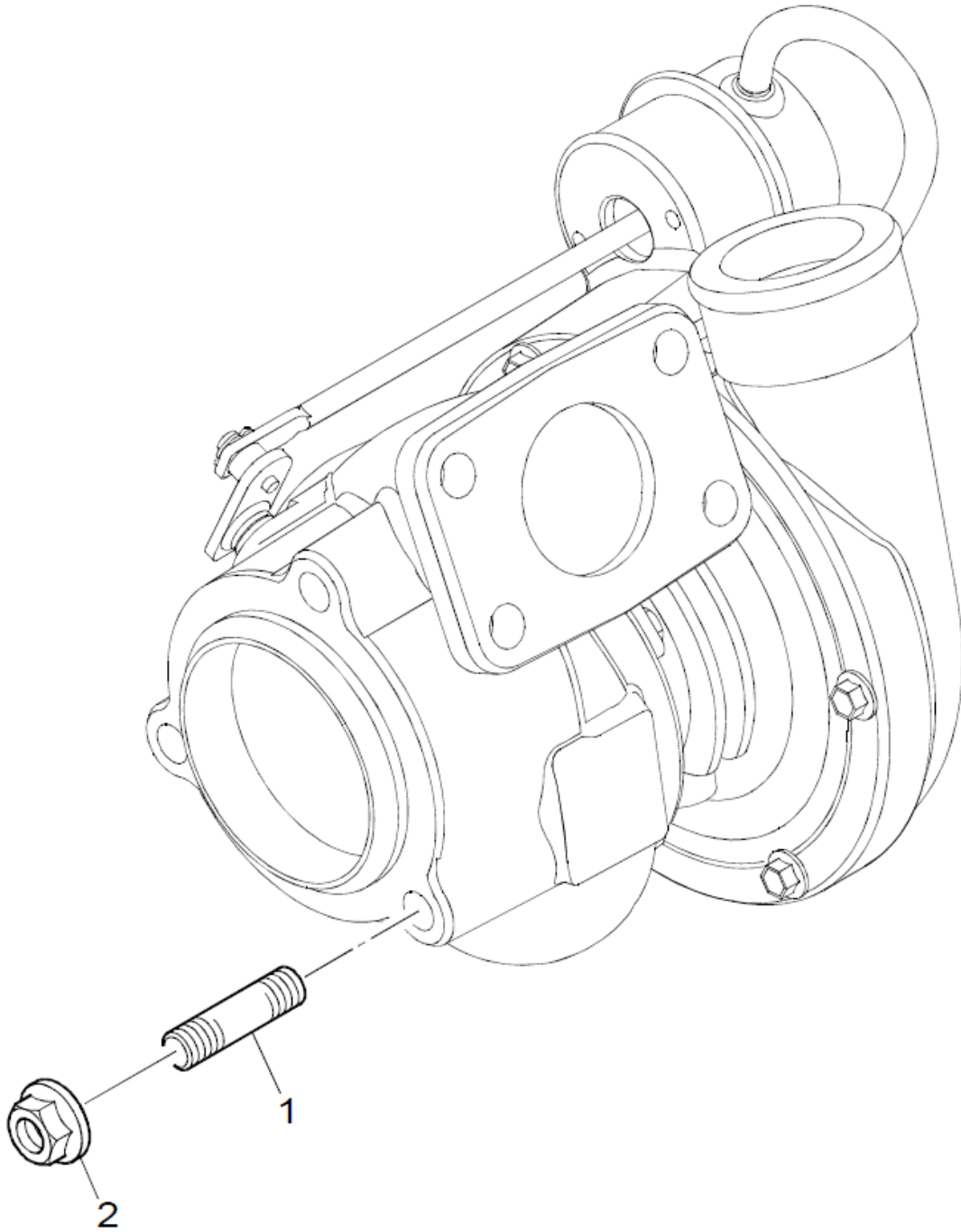
Pipework & Connections**03.01.159**

Item	Part No	Part Name	Qty.	Remarks
1	P5030190932	PIPE - CROSS OVER	1	
2	P5030190933	SCREW	4	
3	P5030190934	GASKET - IND MANIFOLD	1	
4	P5030190935	HOSE CLIP	1	
5	P5030190936	HOSE	1	
6	P5030190937	HOSE CLIP	1	



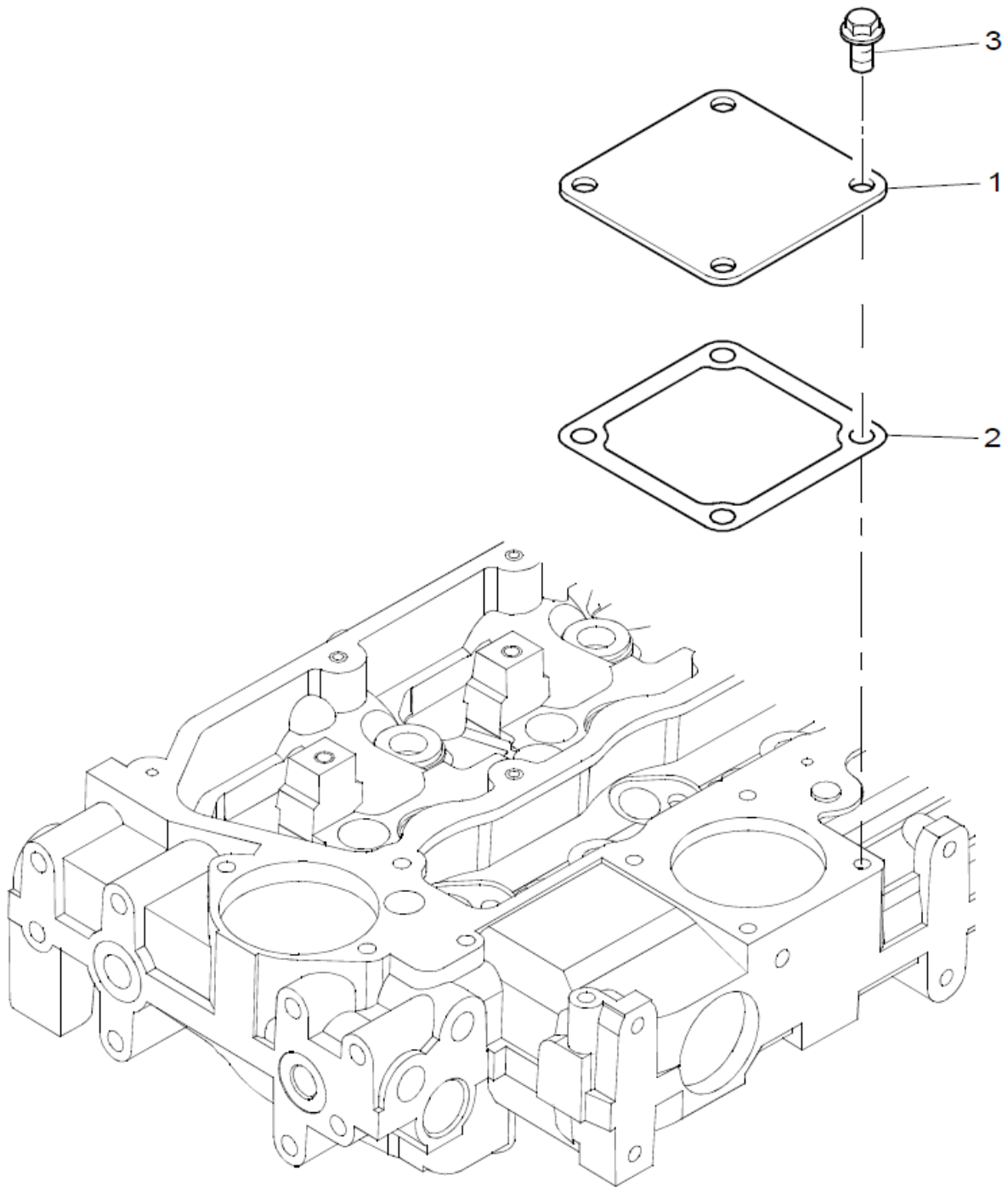
Exhaust Manifold	03.01.160
-------------------------	------------------

Item	Part No	Part Name	Qty.	Remarks
1	P5030190929	EXHAUST MANIFOLD	1	
2	P5030190930	GASKET - EXHAUST MANIFOLD	1	
3	P5030190931	SCREW	8	



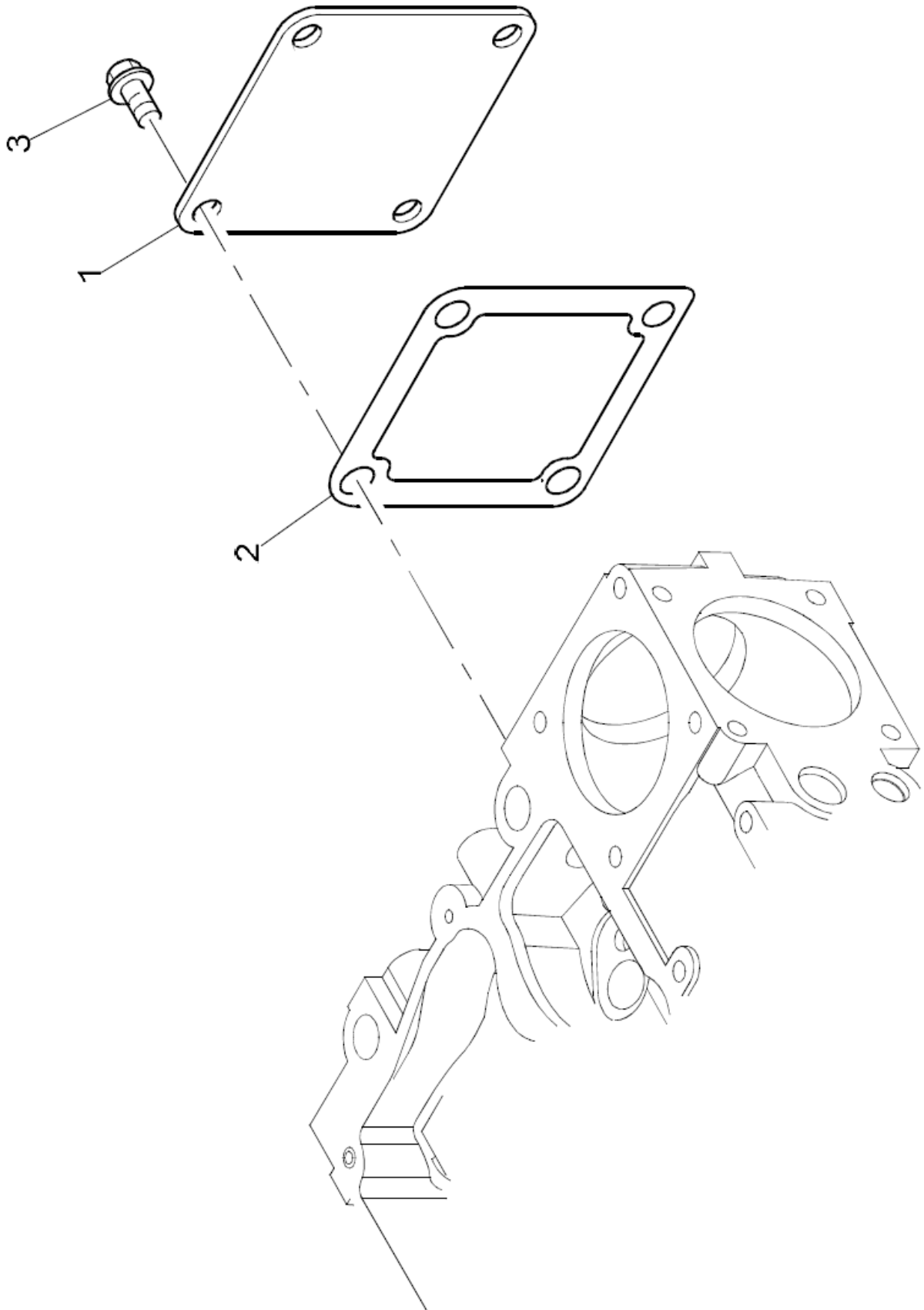
Exhaust Outlet	03.01.161
-----------------------	------------------

Item	Part No	Part Name	Qty.	Remarks
1	P5030190927	Stud	3	
2	P5030190928	Nut	3	



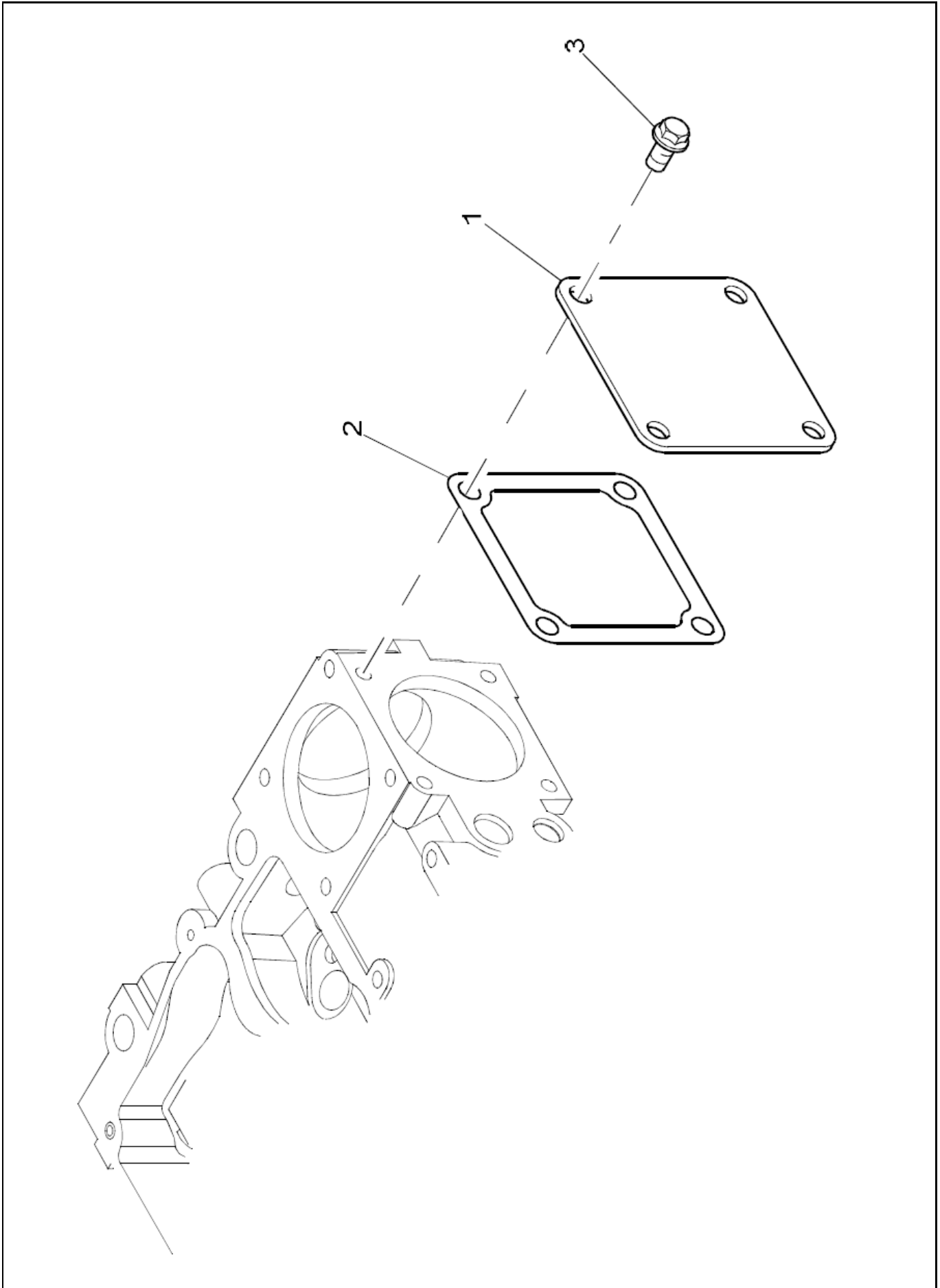
Induction Manifold	03.01.162
---------------------------	------------------

Item	Part No	Part Name	Qty.	Remarks
1	P5030190924	PLATE	1	
2	P5030190925	GASKET	1	
3	P5030190926	SCREW	4	



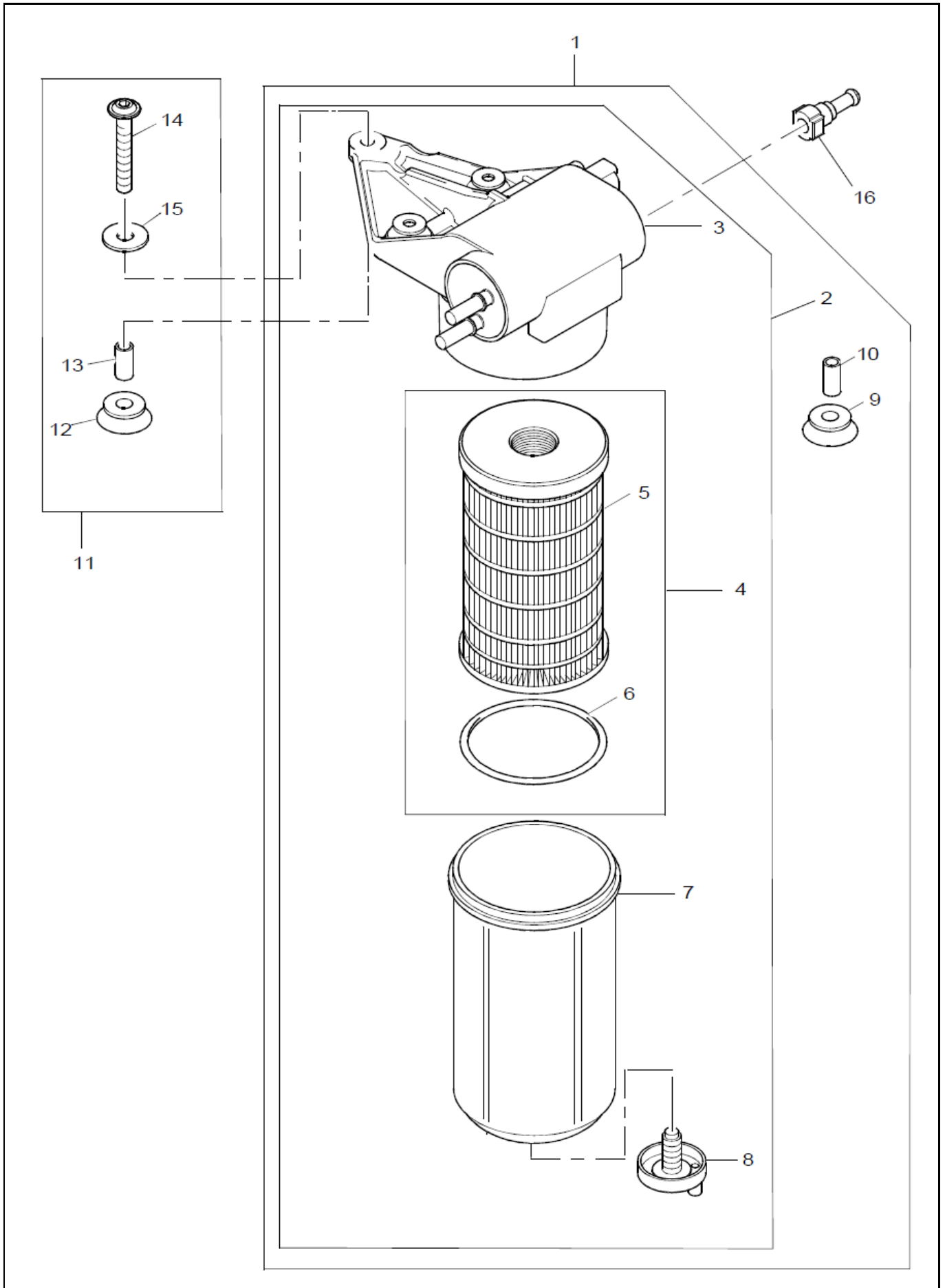
Induction Manifold	03.01.163
---------------------------	------------------

Item	Part No	Part Name	Qty.	Remarks
1	P5030190921	Plate	1	
2	P5030190922	Gasket	1	
3	P5030190923	Screw	4	



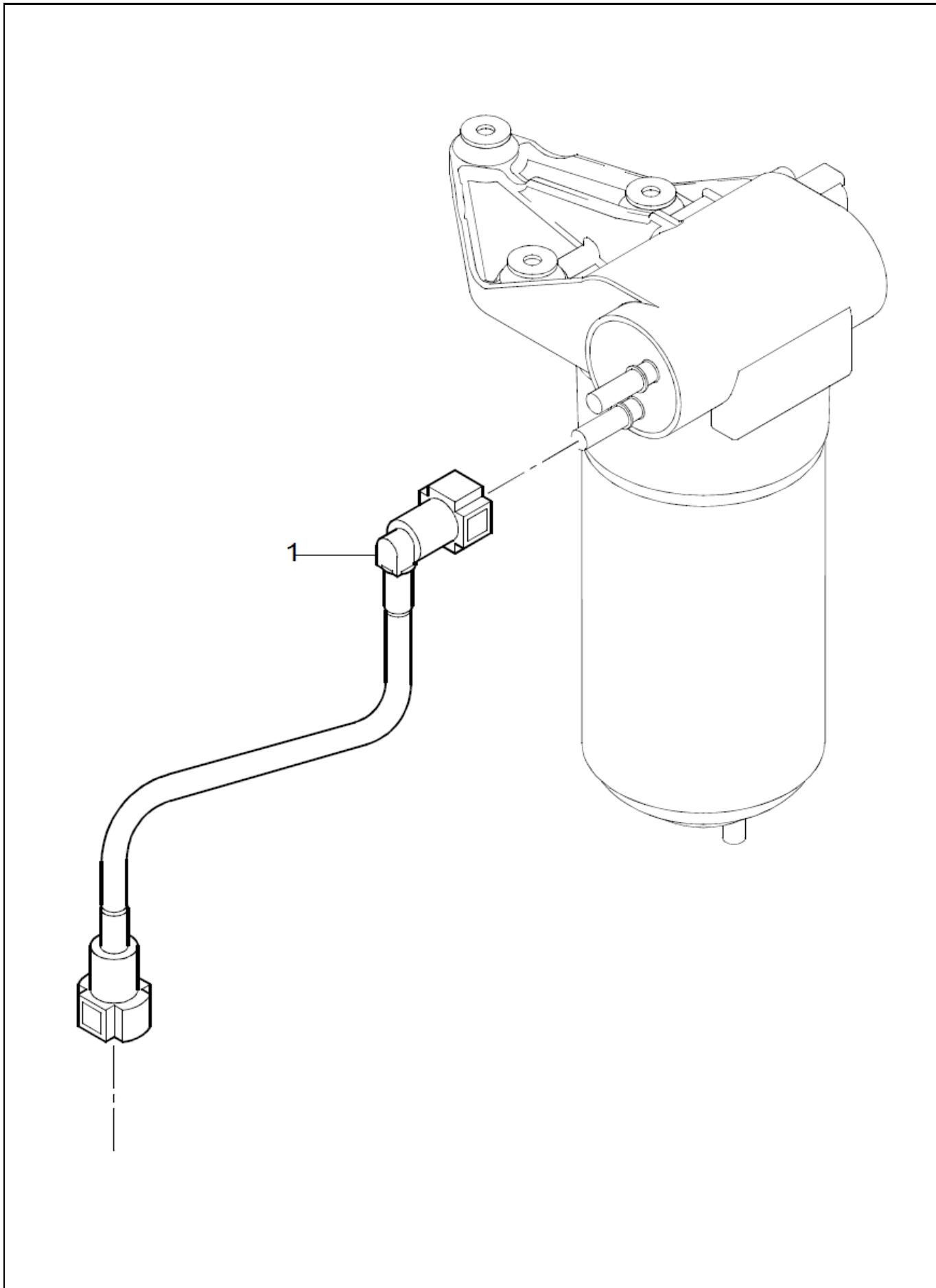
Induction Manifold	03.01.164
---------------------------	------------------

Item	Part No	Part Name	Qty.	Remarks
1	P5030190918	PLATE	1	
2	P5030190919	GASKET	1	
3	P5030190920	SCREW	1	



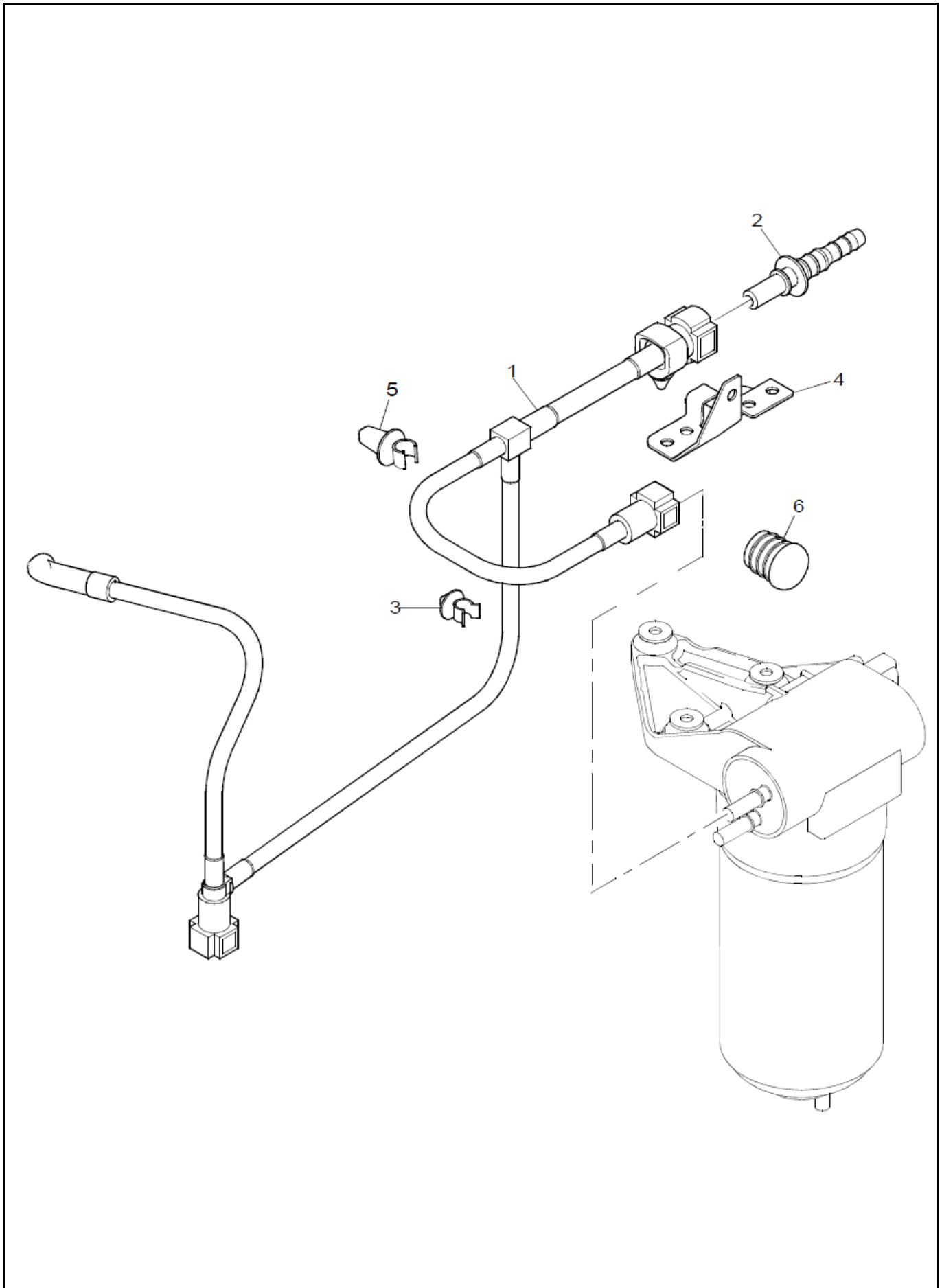
Lift Pump**03.01.165**

Item	Part No	Part Name	Qty.	Remarks
1	P5030190902	LIFT PUMP KIT	1	
2	P5030190903	LIFT PUMP	1	
3	P5030190904	LIFT PUMP	1	
4	P5030190905	FUEL FILTER	1	
5	P5030190906	FUEL FILTER ELEMENT	1	
6	P5030190907	ORING	1	
7	P5030190908	BOWL	1	
8	P5030190909	DRAIN PLUG	1	
9	P5030190914	MOUNTING	6	
10	P5030190911	SPACER	3	
11	P5030190914	MOUNTING KIT	1	
12	P5030190914	MOUNTING	6	
13	P5030190914	SPACER	3	
14	P5030190915	SCREW	3	
15	P5030190916	WASHER	3	
16	P5030190917	CONNECTION	1	



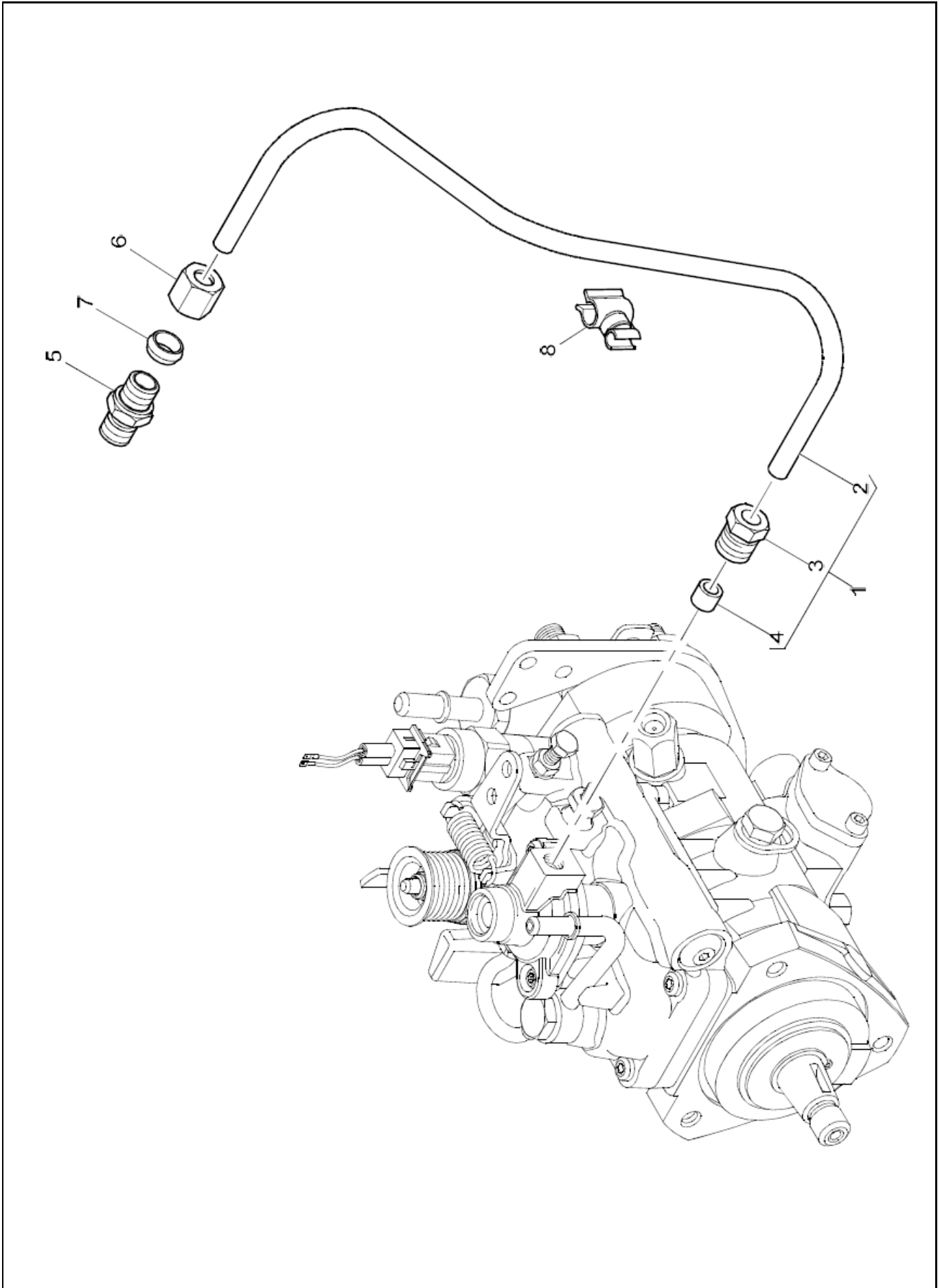
Filter to Injection Pump Pipe	03.01.166
--------------------------------------	------------------

Item	Part No	Part Name	Qty.	Remarks
1	P5030190901	PIPE - FILTER TO INJ PUMP	1	



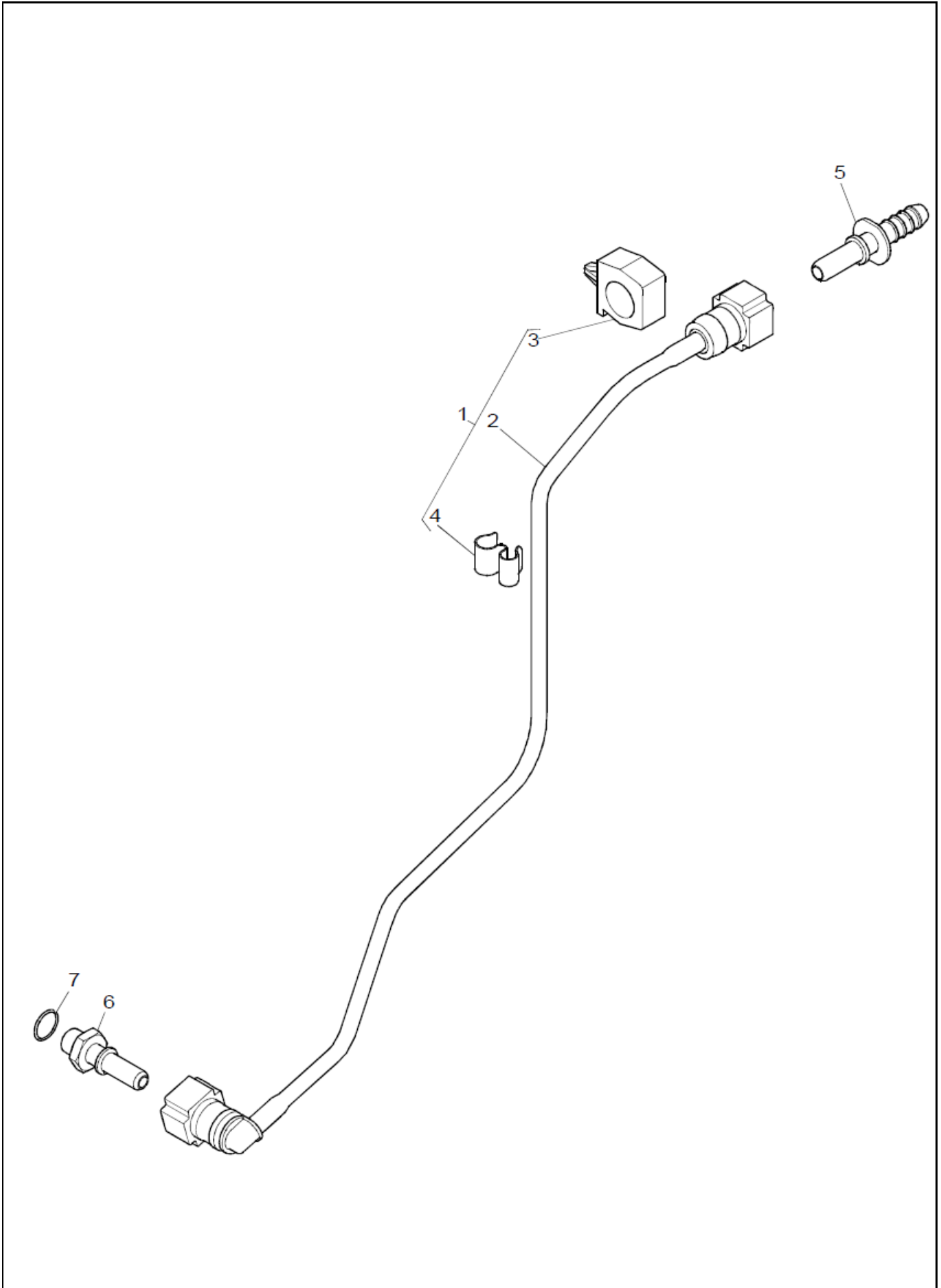
Injection Pump to Filter Pipe	03.01.167
--------------------------------------	------------------

Item	Part No	Part Name	Qty.	Remarks
1	P5030190895	PIPE - INJ PUMP TO FILTER	1	
2	P5030190896	CONNECTION	1	
3	P5030190897	CLIP	1	
4	P5030190898	BRACKET	1	
5	P5030190899	PIPE CLIP PLUG	1	
6	P5030190900	PIPE CLIP PLUG	1	



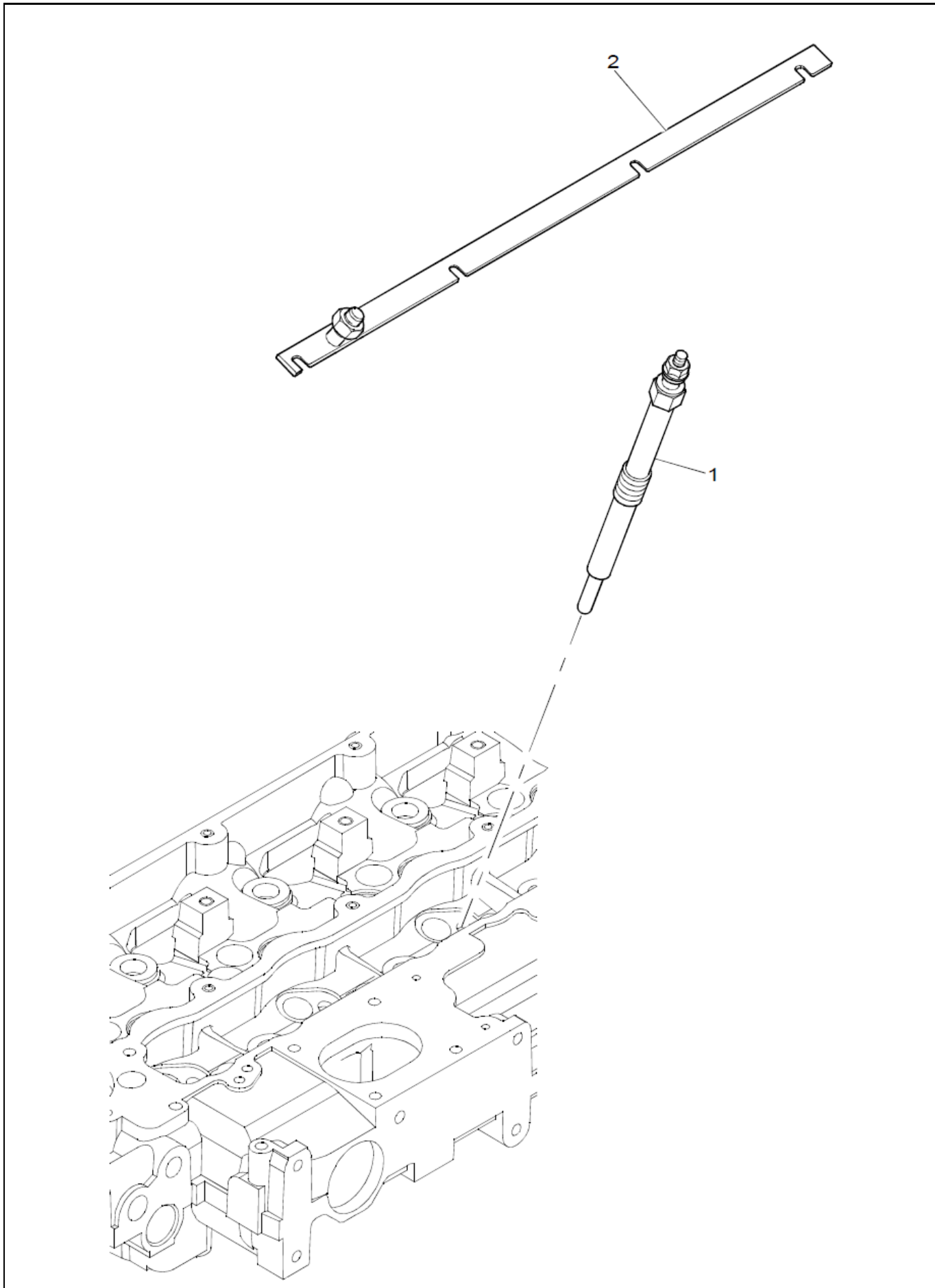
Boost Control Pipe**03.01.168**

Item	Part No	Part Name	Qty.	Remarks
1	P5030190887	PIPE - BOOST	1	
2	P5030190888	PIPE - BOOST	1	
3	P5030190889	UNION NUT	1	
4	P5030190890	OLIVE	1	
5	P5030190891	UNION	1	
6	P5030190892	NUT	1	
7	P5030190893	OLIVE	1	
8	P5030190894	PIPE CLIP	1	



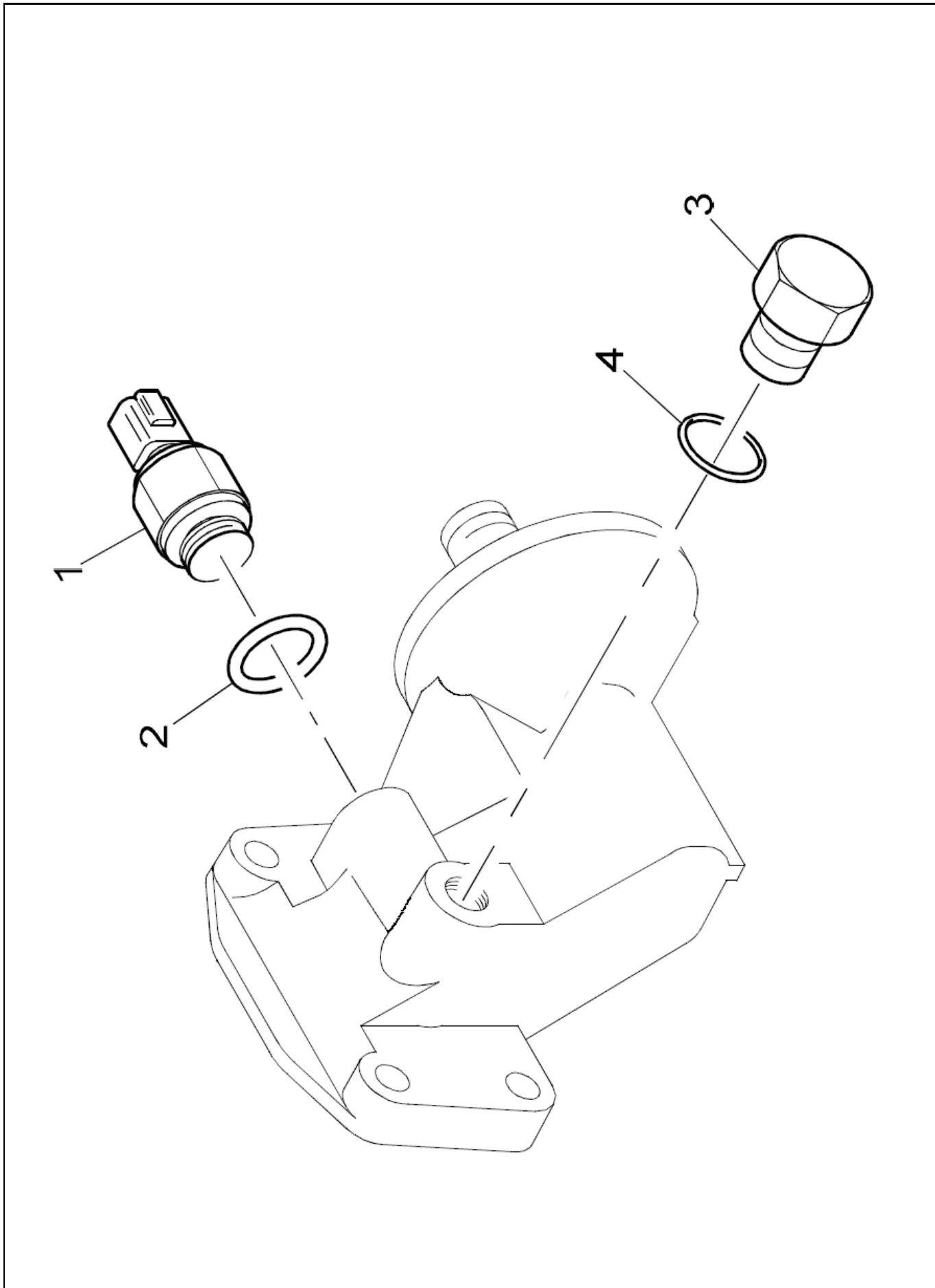
Boost Control Pipe**03.01.169**

Item	Part No	Part Name	Qty.	Remarks
1	P5030190880	PIPE - BOOST	1	
2	P5030190881	PIPE - BOOST	1	
3	P5030190882	CLIP	1	
4	P5030190883	CLIP	2	
5	P5030190884	CONNECTION	1	
6	P5030190885	CONNECTION	1	
7	P5030190886	SEAL - O RING	1	



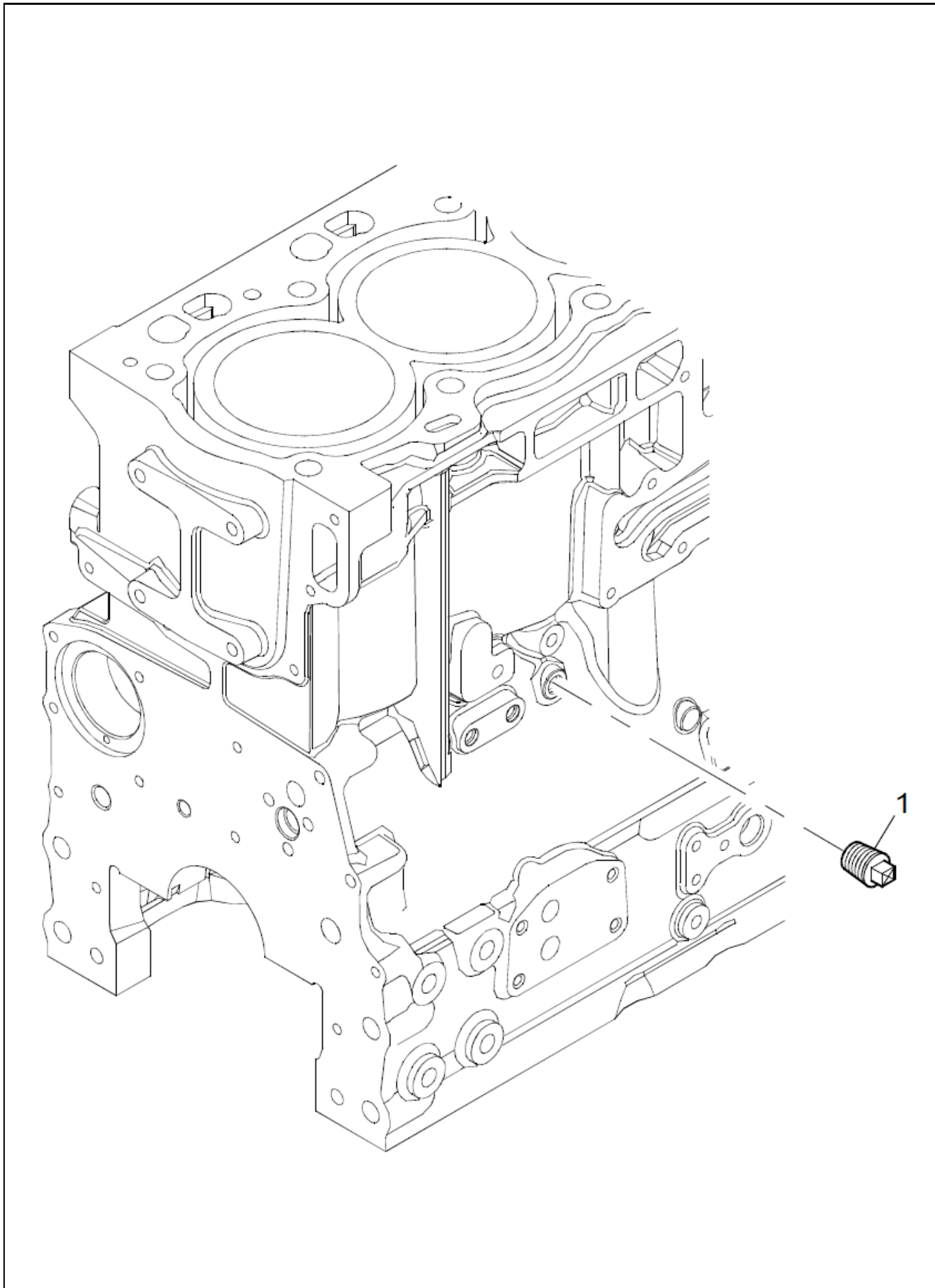
Heater Plugs	03.01.170
---------------------	------------------

Item	Part No	Part Name	Qty.	Remarks
1	P5030190878	GLOW PLUG	4	
2	P5030190879	BAR	1	



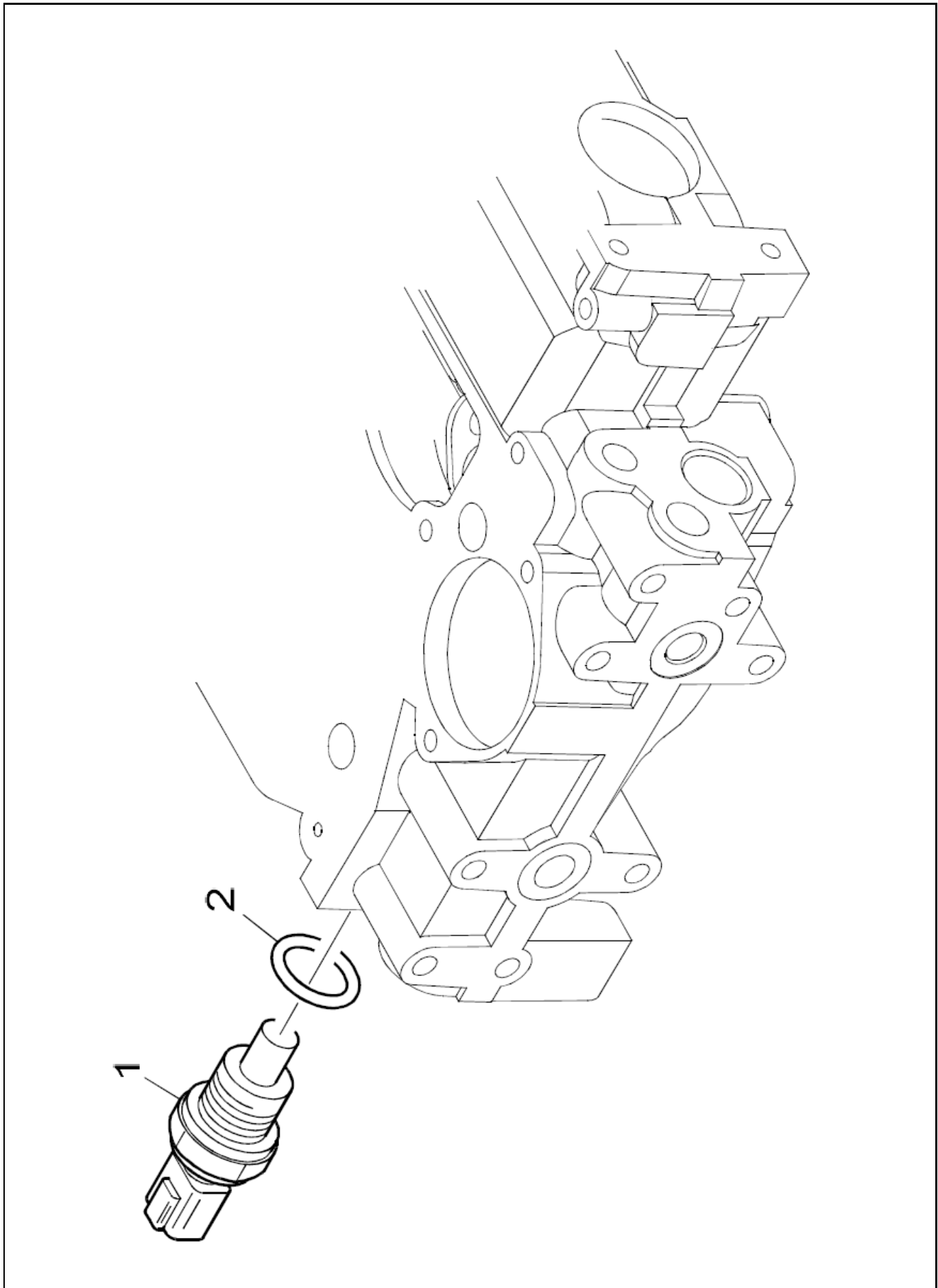
Lubricating Oil Pressure Switch/Gauge**03.01.172**

Item	Part No	Part Name	Qty.	Remarks
1	P5030190870	OIL PRESSURE SWITCH	1	
2	P5030190871	SEAL - O RING	1	
3	P5030190872	PLUG	1	
4	P5030190873	SEAL - O RING	1	



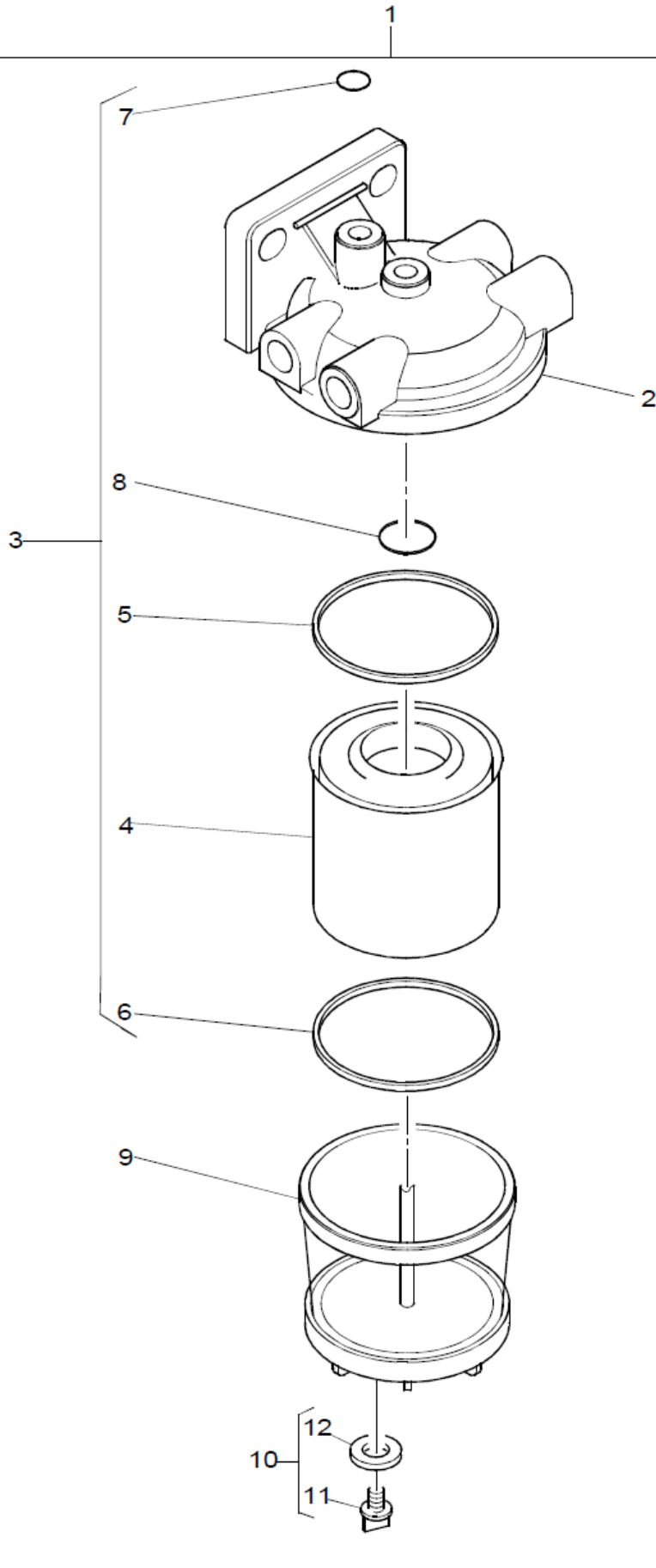
Lubricating Oil Pressure Switch/Gauge	03.01.173
--	------------------

Item	Part No	Part Name	Qty.	Remarks
1	P5030190852	PLUG	1	



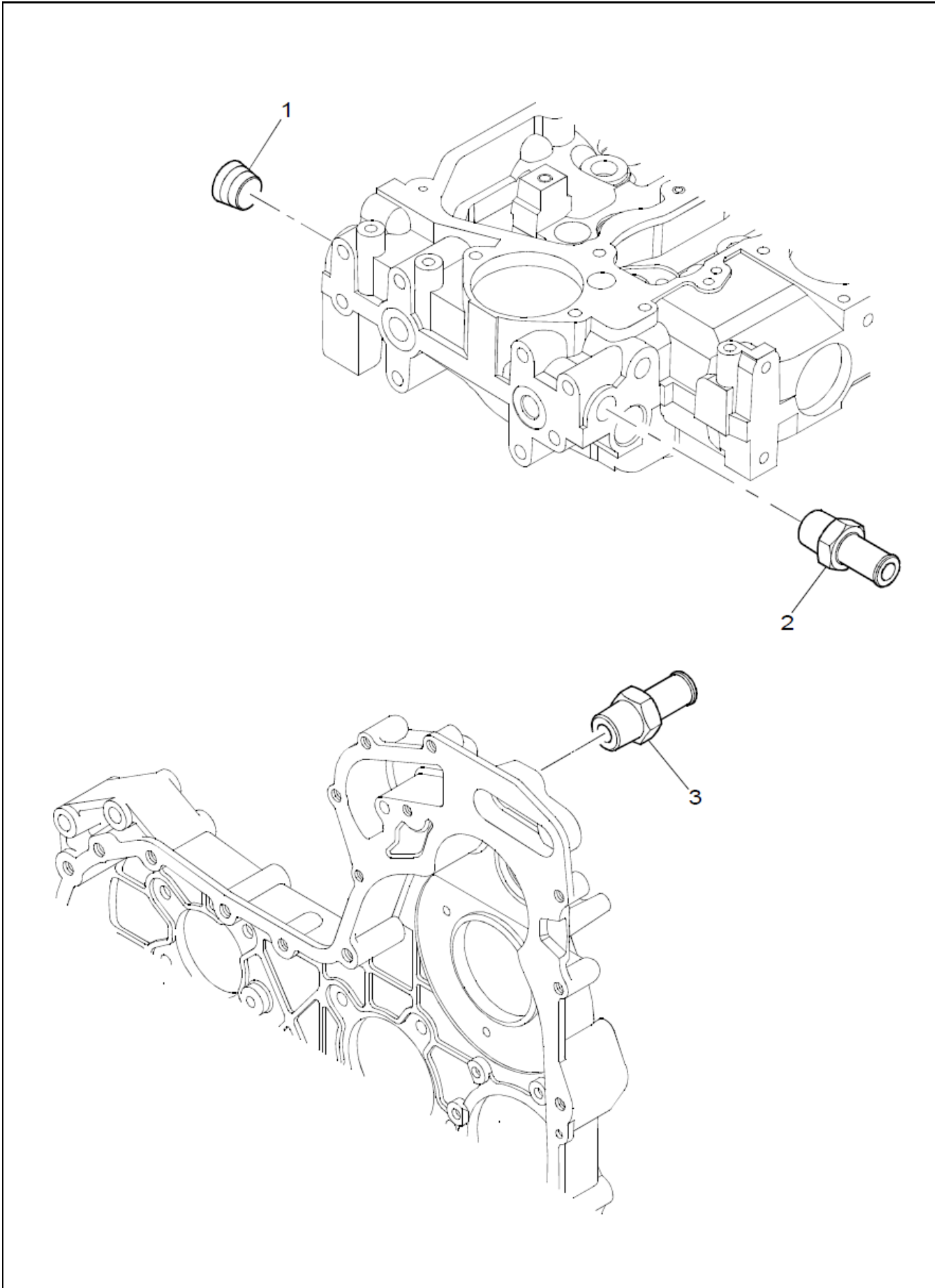
Temperature Gauge & Sender	03.01.174
---------------------------------------	------------------

Item	Part No	Part Name	Qty.	Remarks
1	P5030190868	SENDER	1	
2	P5030190869	SEAL - SENSOR	1	



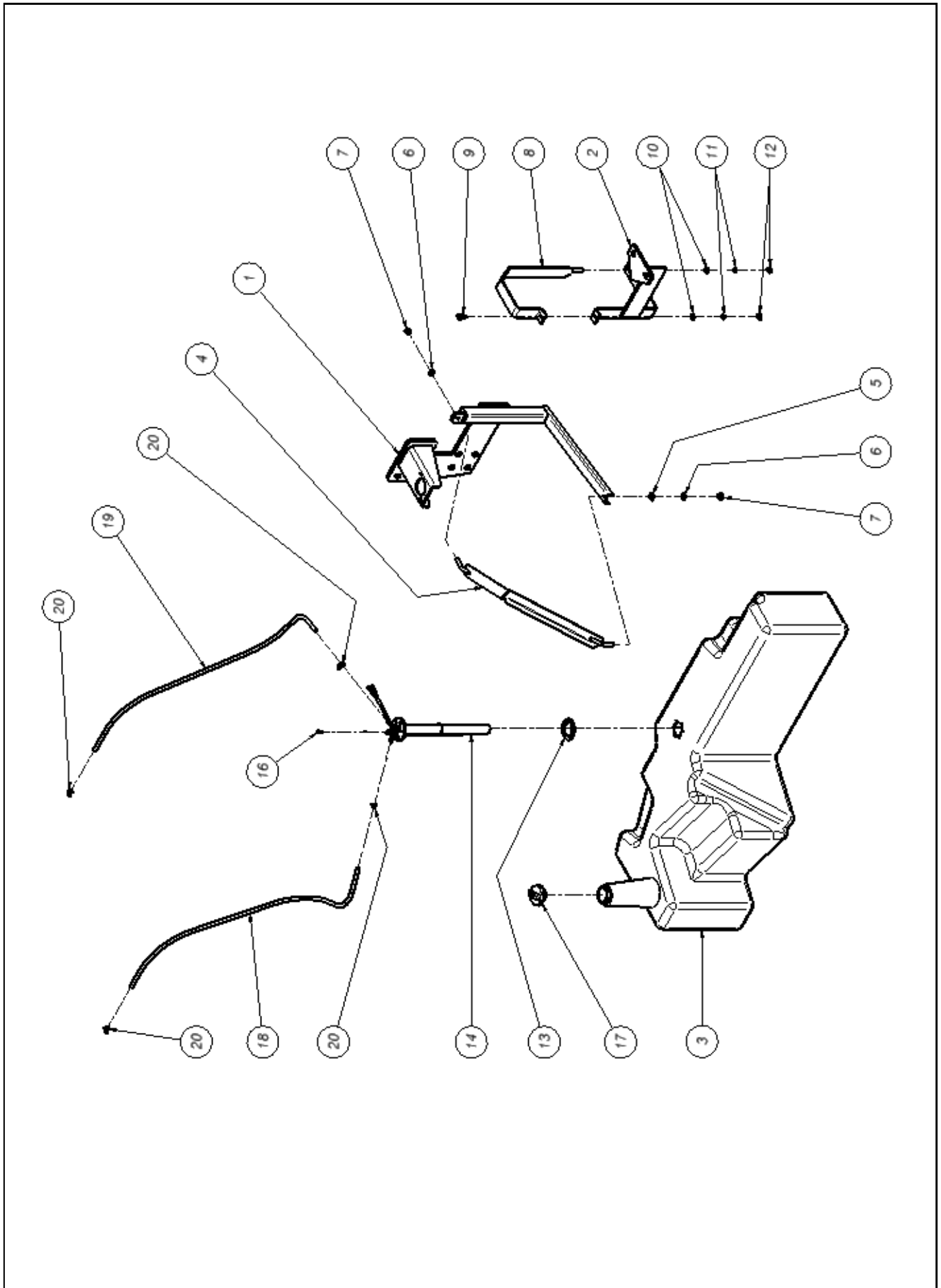
Water Trap**03.01.175**

Item	Part No	Part Name	Qty.	Remarks
1	P5030190853	PRE-FUEL FILTER ASSY	1	
2	P5030190854	FUEL FILTER HEAD	1	
3	P5030190855	PRE-FUEL FILTER KIT	1	
4	P5030190856	ELEMENT	1	
5	P5030190857	ORING	1	
6	P5030190858	ORING	1	
7	P5030190859	ORING	1	
8	P5030190860	ORING	1	
9	P5030190861	FUEL FILTER BOWL	1	
10	P5030190862	PLUG	1	
11	P5030190863	PLUG	1	
12	P5030190864	WASHER	1	

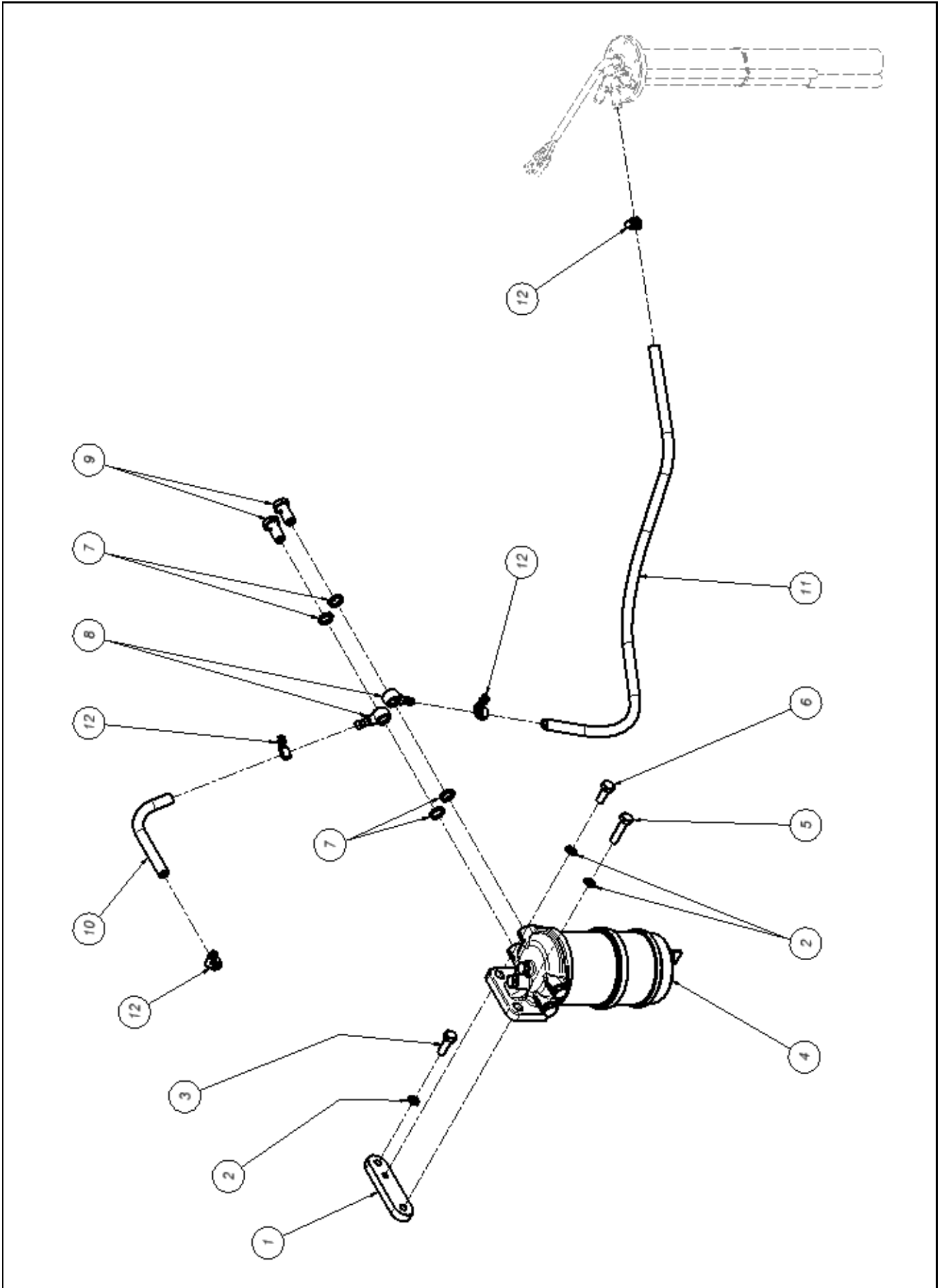


Miscellaneous & Auxiliaries**03.01.176**

Item	Part No	Part Name	Qty.	Remarks
1	P5030190865	PLUG	1	
2	P5030190866	ADAPTOR	1	
3	P5030190867	ADAPTOR	1	

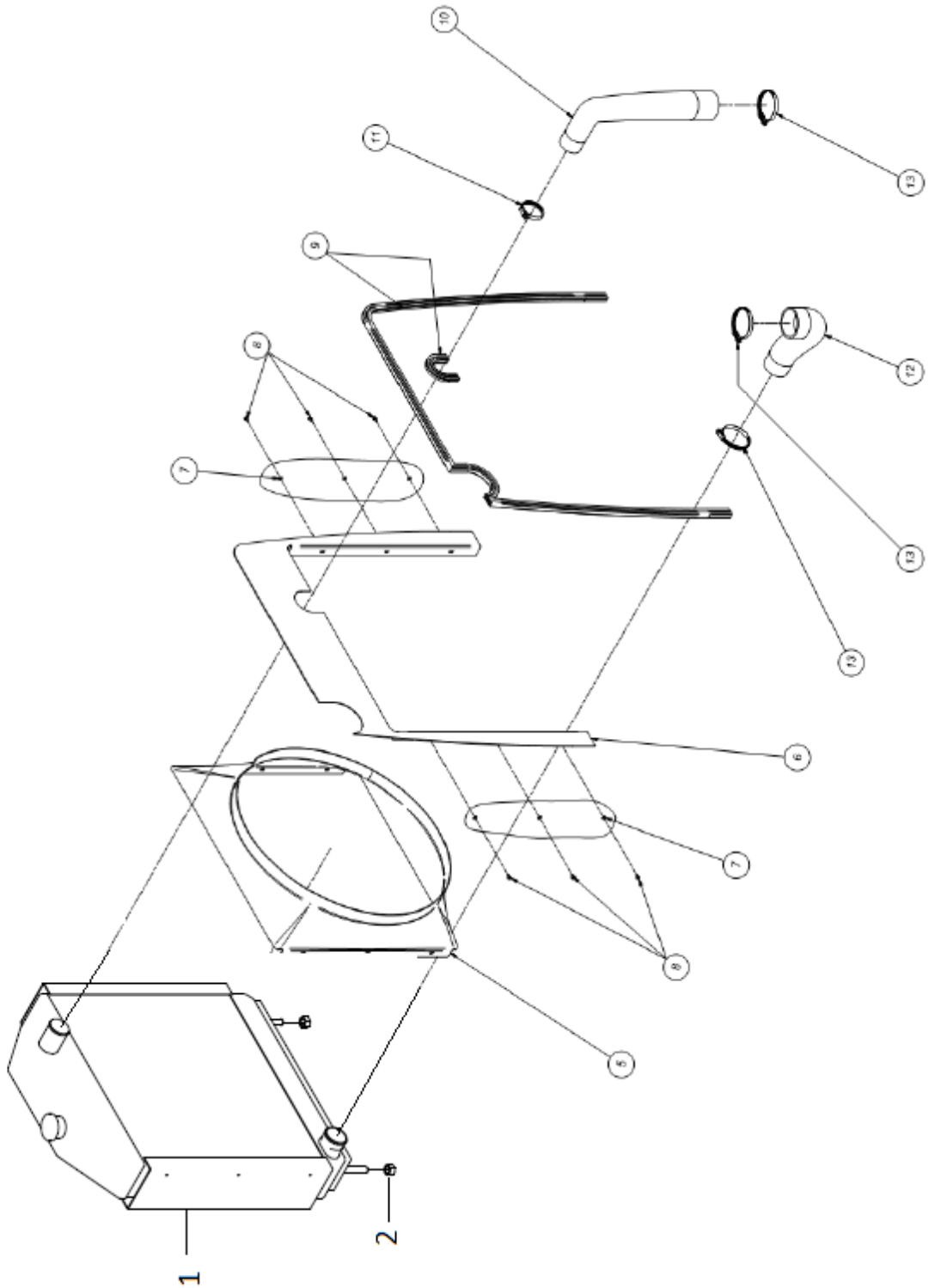


Item	Part No	Part Name	Qty.	Remarks
1	P5030291140	Cabin bracket - front left	1	
2	P5030290167	Bracket of fuel tank	1	
3	P5030290168	Fuel tank	1	
4	P5030290169	Clamp of fuel tank - front	1	
5	P5030290170	Flat washer Ø10	1	
6	P5030290171	Spring washer Ø10	2	
7	P5030290172	Nut M10	2	
8	P5030290173	Clamp of fuel tank - rear	1	
9	P5030290174	Bolt M10x30	1	
10	P5030290175	Flat washer Ø10	2	
11	P5030290176	Spring washer Ø10	2	
12	P5030290177	Nut M10	2	
13	P5030290456	Joint of fuel level sensor	1	
14	P5030290179	Fuel level sensor	1	
16	P5030290181	Screw M4x16	6	
17	P5030290182	Fuel tank cap	1	
18	P5030290183	Pipe fuel Ø8	1	
19	P5030290184	Pipe fuel Ø8	1	
20	P5030291141	Clamp	4	
21	P5030291642	Screw M16x40	2	
22	P5030291643	Flat washer	2	



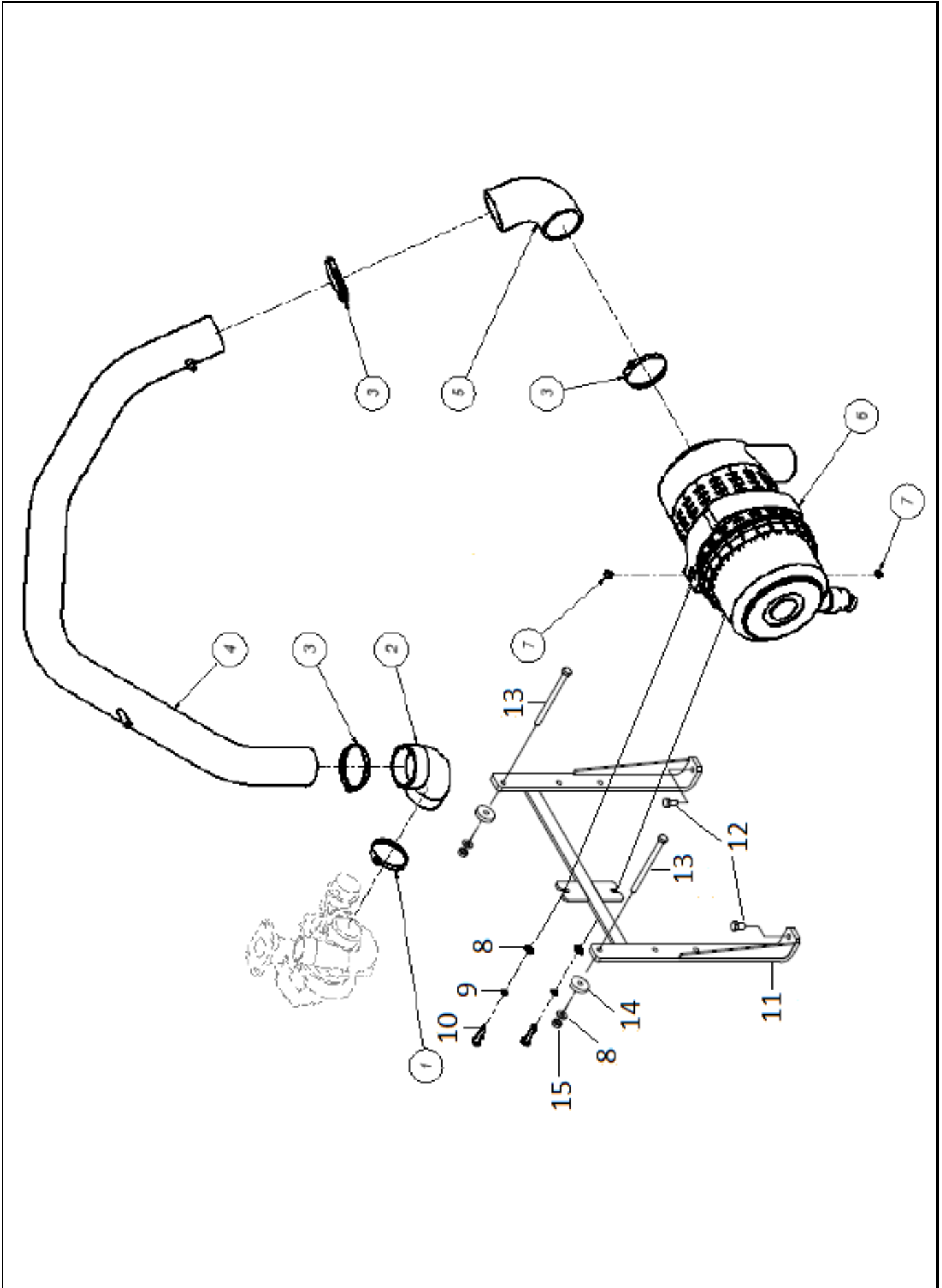
Water separator**03.02.004**

Item	Part No	Part Name	Qty.	Remarks
1	P5030290185	Bracket	1	
2	P5030290186	Washer Ø8	3	
3	P5030290187	Bolt M8x25	1	
4	P5030291161	Separator assy.	1	
5	P5030290188	Bolt M8x35	1	
6	P5030290189	Bolt M8x20	1	
7	P5030291162	Cu washer Ø13	4	
8	P5030290190	Banjo 1/2"	2	
9	P5030291163	Banjo bolt 1/2"	2	
10	P5030290191	Pipe fuel Ø8	1	
11	P5030290192	Pipe fuel Ø8	1	
12	P5030291164	Clamp	4	



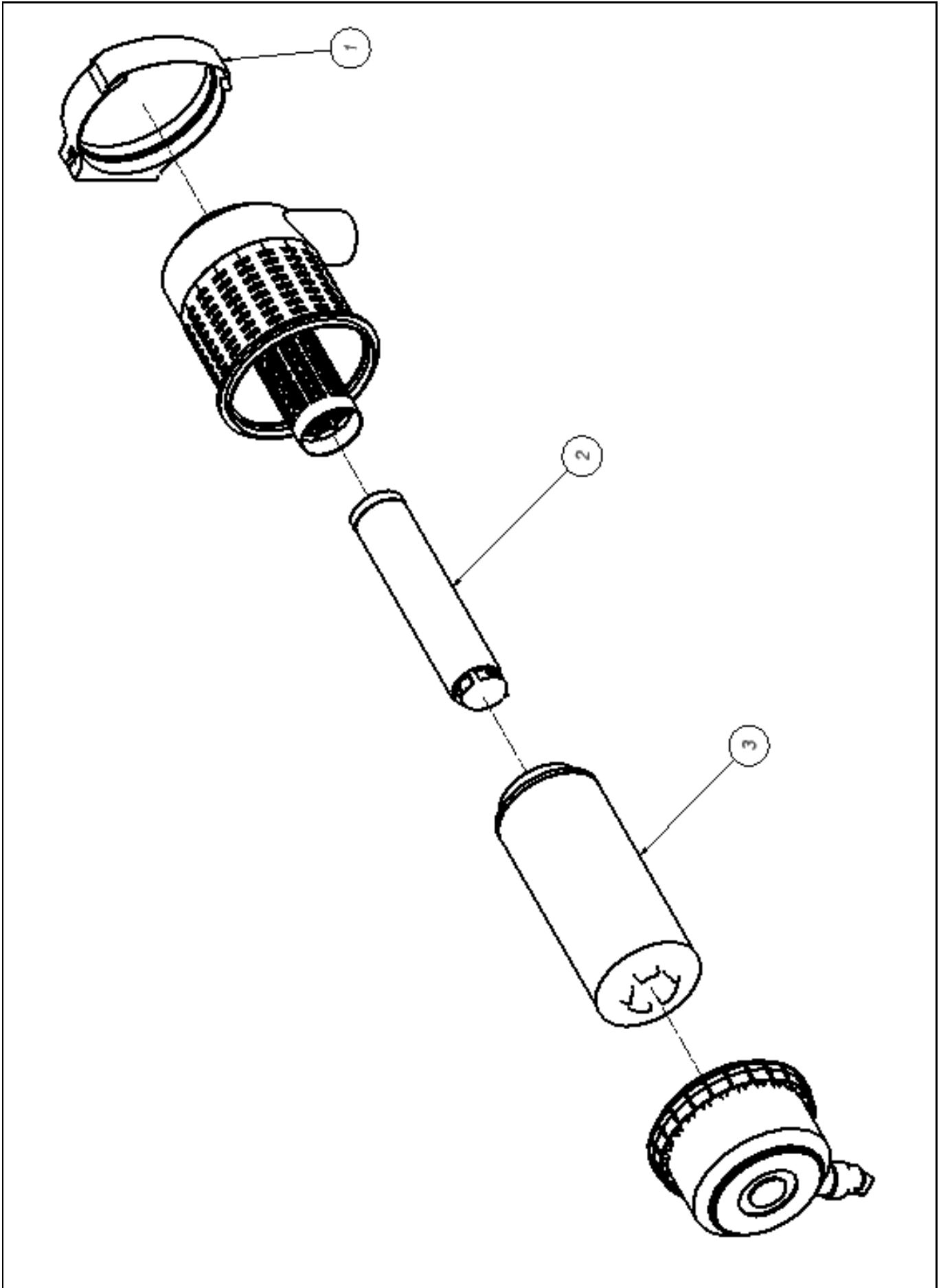
Radiator**03.03.005**

Item	Part No	Part Name	Qty.	Remarks
1	P5030390001	Radiator assy.	1	
2	P5030391142	Nut M12	2	
3	P5030390002	Flat washer	4	
4	P5030390003	Bolt M8	4	
5	P5030391143	Radiator fan cover	1	
6	P5030391144	Air cleaner space wall	1	
7	P5030390004	Flat washer	6	
8	P5030390005	Screw	6	
9	P5030391145	Seal of wall	1	
10	P5030391146	Top hose of radiator	1	
11	P5030390006	Clamp 40-50	2	
12	P5030391147	Bottom hose of radiator	1	
13	P5030391644	Clamp	2	



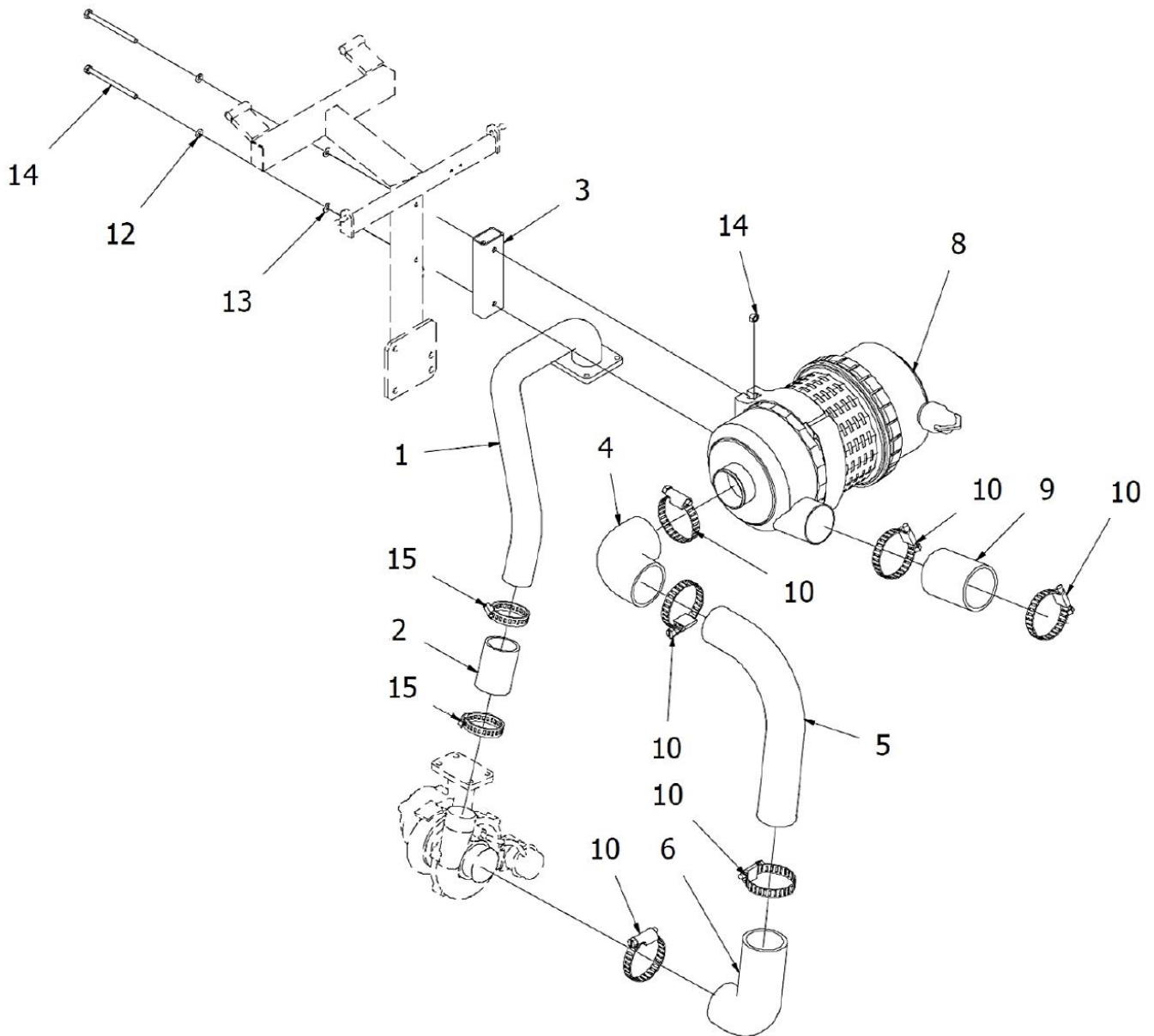
Air cleaner system**03.04.006**

Item	Part No	Part Name	Qty.	Remarks
1	P5030490007	Clamp assy. 60-80	1	
2	P5030490008	Turbocharger elbow	1	
3	P5030490009	Clamp assy. 70-90	3	
4	P5030491148	Air cleaner tube assy.	1	
5	P5030490010	Air cleaner elbow	1	
6	P5030490011	Air cleaner assy.	1	
7	P5030490012	Nut M8	2	
8	P5030490013	Flat washer	4	
9	P5030490014	Spring washer	2	
10	P5030490015	Hexhead bolt M8x35-5.8	2	
11	P5030491149	Air cleaner bracket	1	
12	P5030490016	Bolt M8x20	2	
13	P5030490017	Bolt M8x140	2	
14	P5030491645	Rubber pad	2	
15	P5030491646	Nut M8	2	

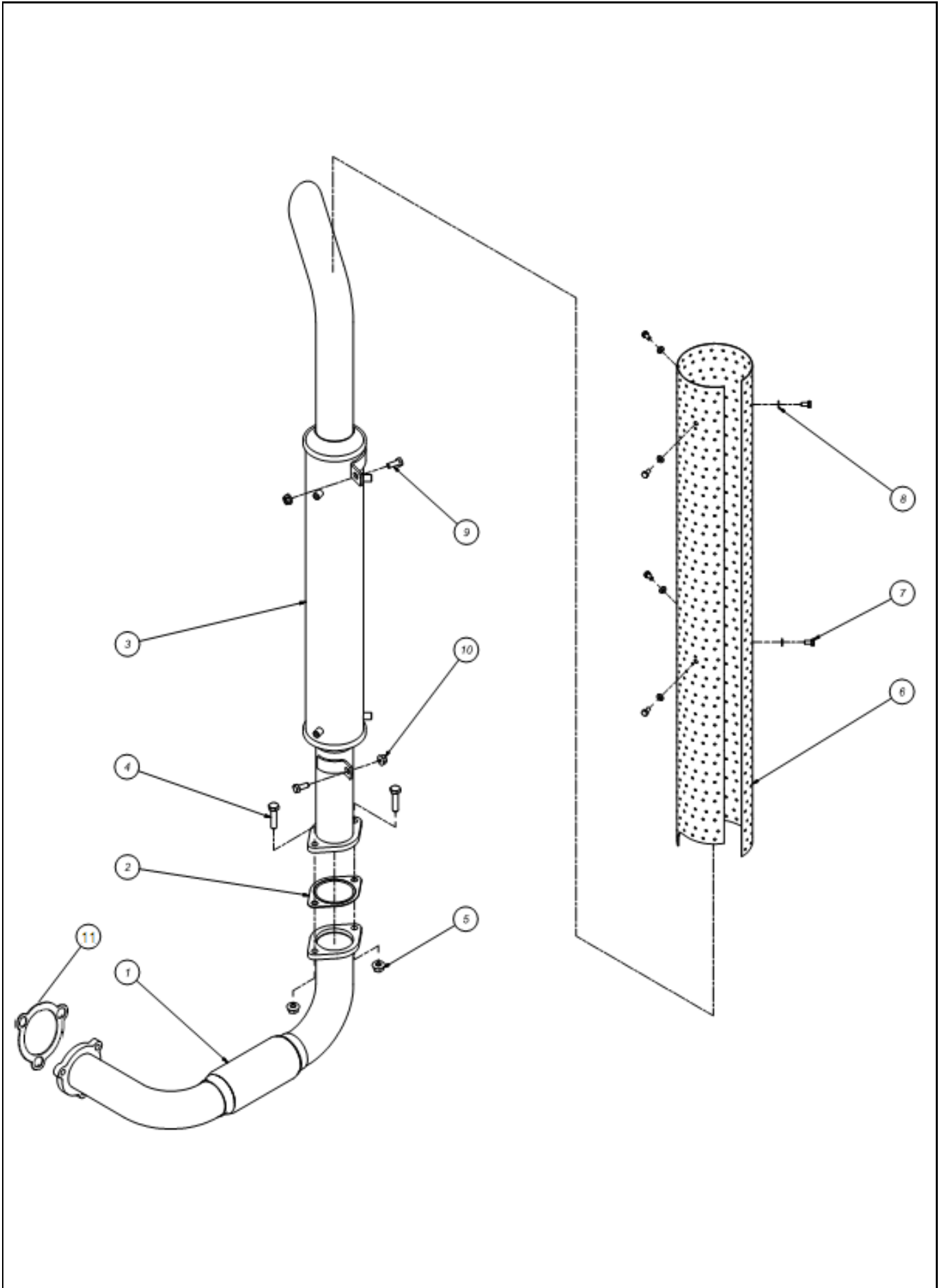


Air cleaner	03.04.007
--------------------	------------------

Item	Part No	Part Name	Qty.	Remarks
1	P5030490124	Clamp 300 assy.	1	
2	P5030490132	Primary filter element	1	
3	P5030490133	Secondary filter element	1	

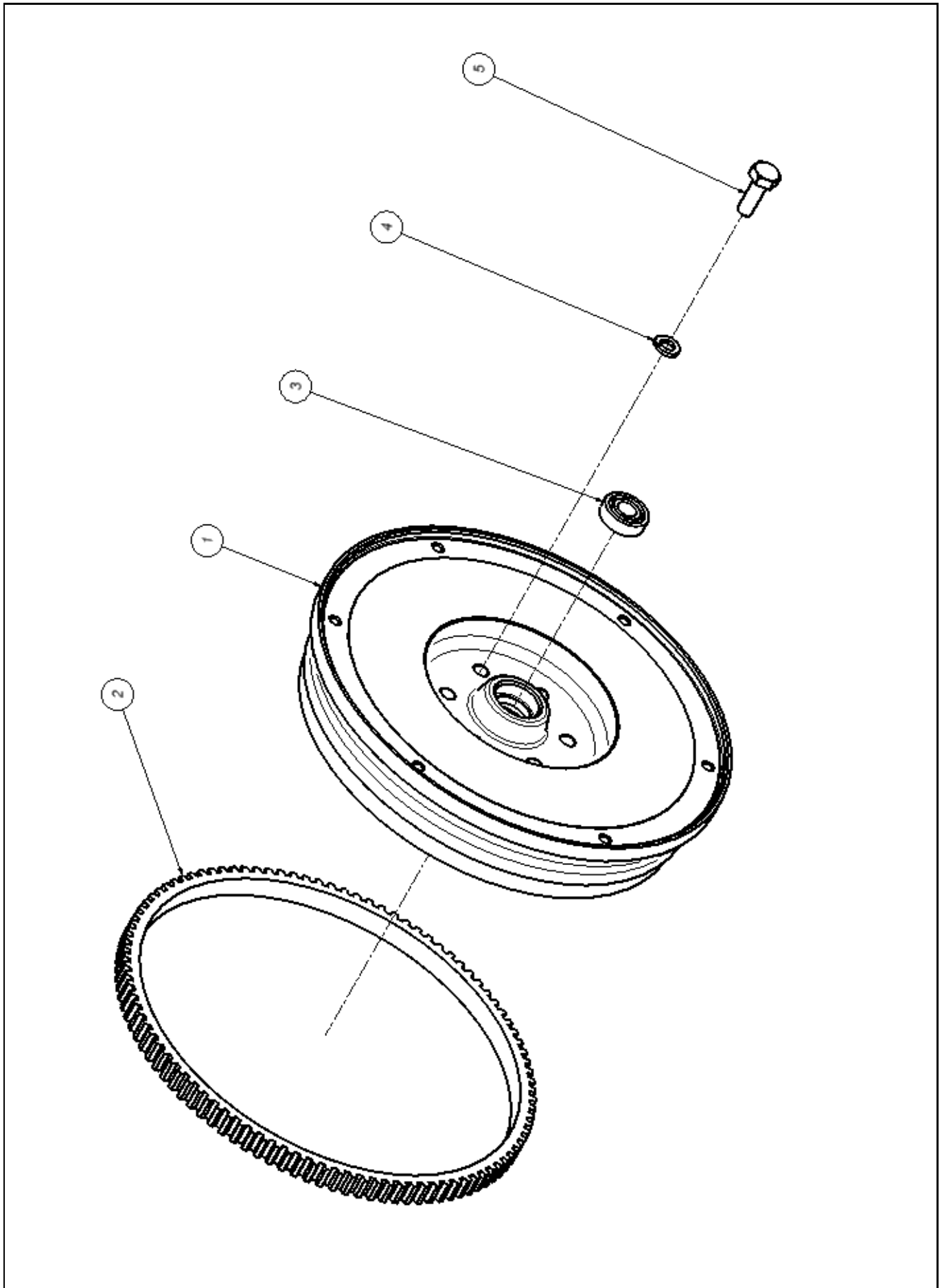


Item	Part No	Part Name	Qty.	Remarks
1	P5030491165	Engine inlet pipe	1	
2	P5030491166	Ealstic connector	1	
3	P5030491167	Distance	1	
4	P5030491168	Air filter elbow	1	
5	P5030491169	Air filter pipe	1	
6	P5030491170	Turbocharger elbow	1	
8	P5030491171	Air filter assy	1	
9	P5030491172	Elastic connector assy	1	
10	P5030491173	Clamp 70-90	4	
12	P5030491175	Spring washer 8,4	2	
13	P5030491176	flat washer 8,4	2	
14	P5030491177	Nut M8	2	
15	P5030491178	Clamp 60	2	



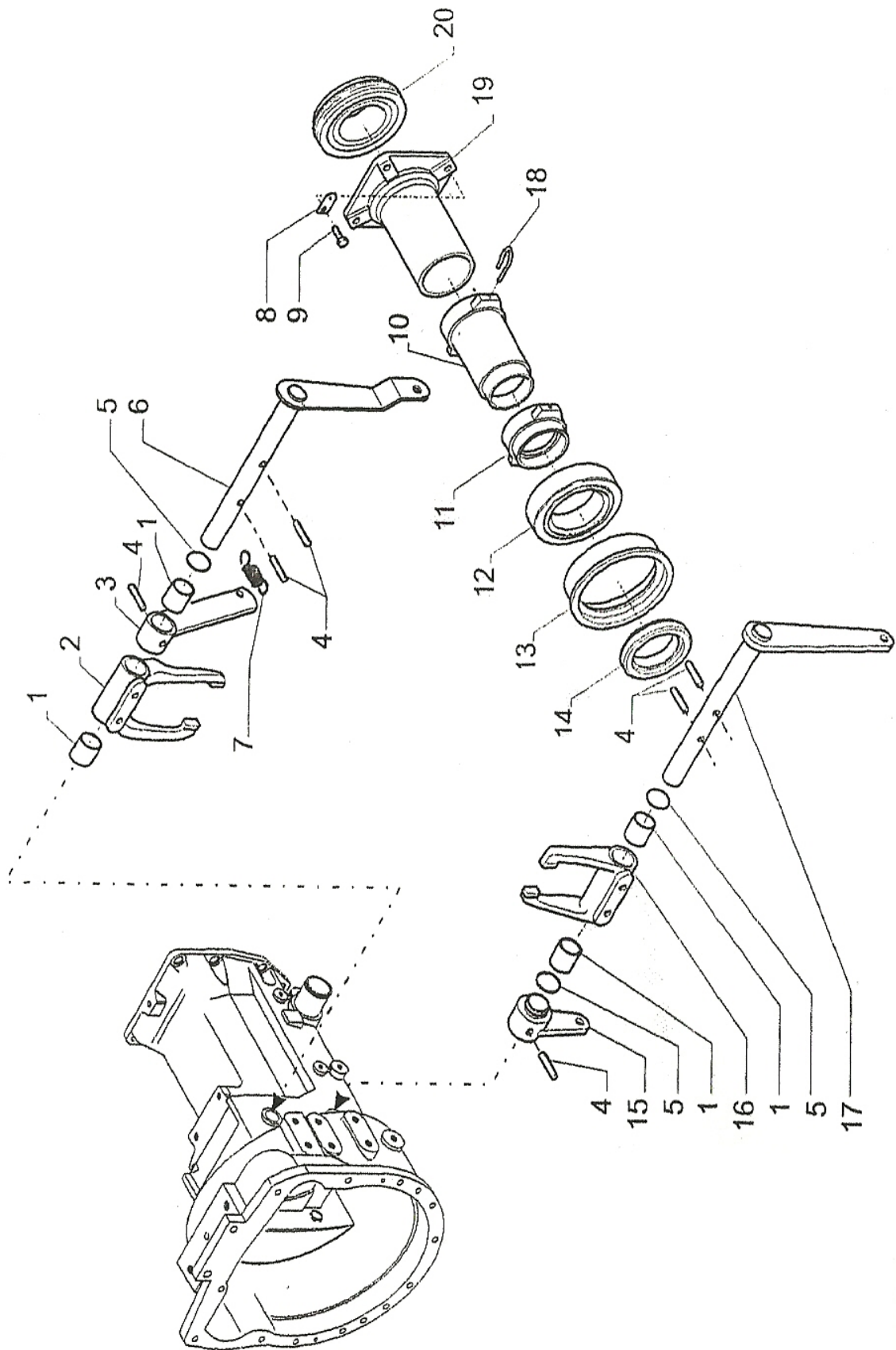
Exhaust system**03.05.008**

Item	Part No	Part Name	Qty.	Remarks
1	P5030591150	Manifold tube assy.	1	
2	P5030591151	Manifold gasket	1	
3	P5030591152	Manifold assy. with Protection grid	1	
4	P5030590018	Bolt M10 x 40	2	
5	P5030590019	Washer M10 x 1.5	2	
7	P5030590020	Bolt M6x12 5.8	6	
8	P5030590021	Washer	6	
9	P5030590022	Hexhead bolt M8x25 5.8	3	
10	P5030590023	Selflock washer M10 5.8	2	
11	P5030591647	Gasket	1	



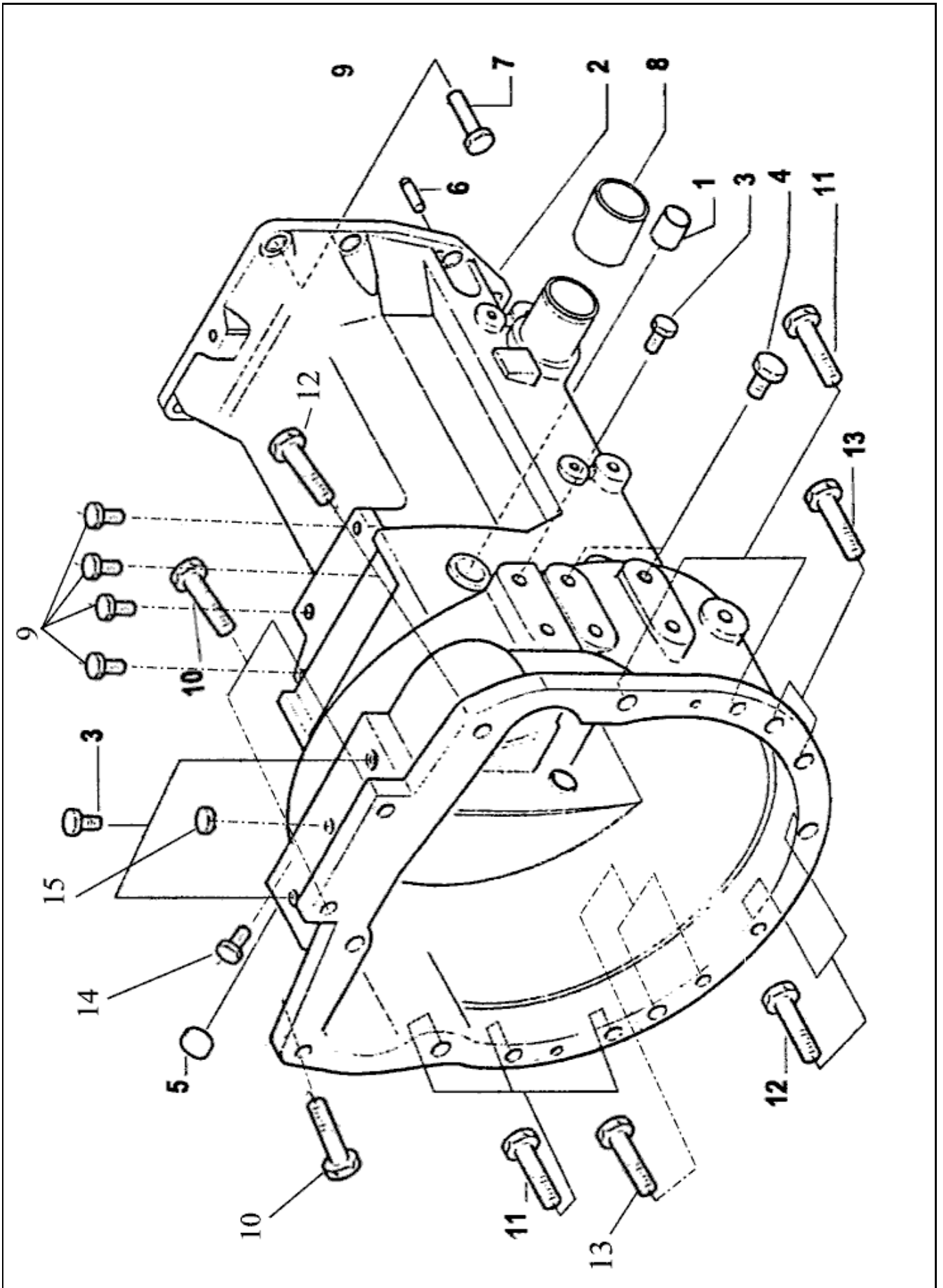
Flywheel**03.06.009**

Item	Part No	Part Name	Qty.	Remarks
1	P5030690125	Flywheel	1	
2	P5030690134	Toothed ring	1	
3	P5030690135	Bearing	1	
4	P5030690136	Flat washer 1/2"	6	
5	P5030690137	Bolt 1/2"-10 UNC	6	



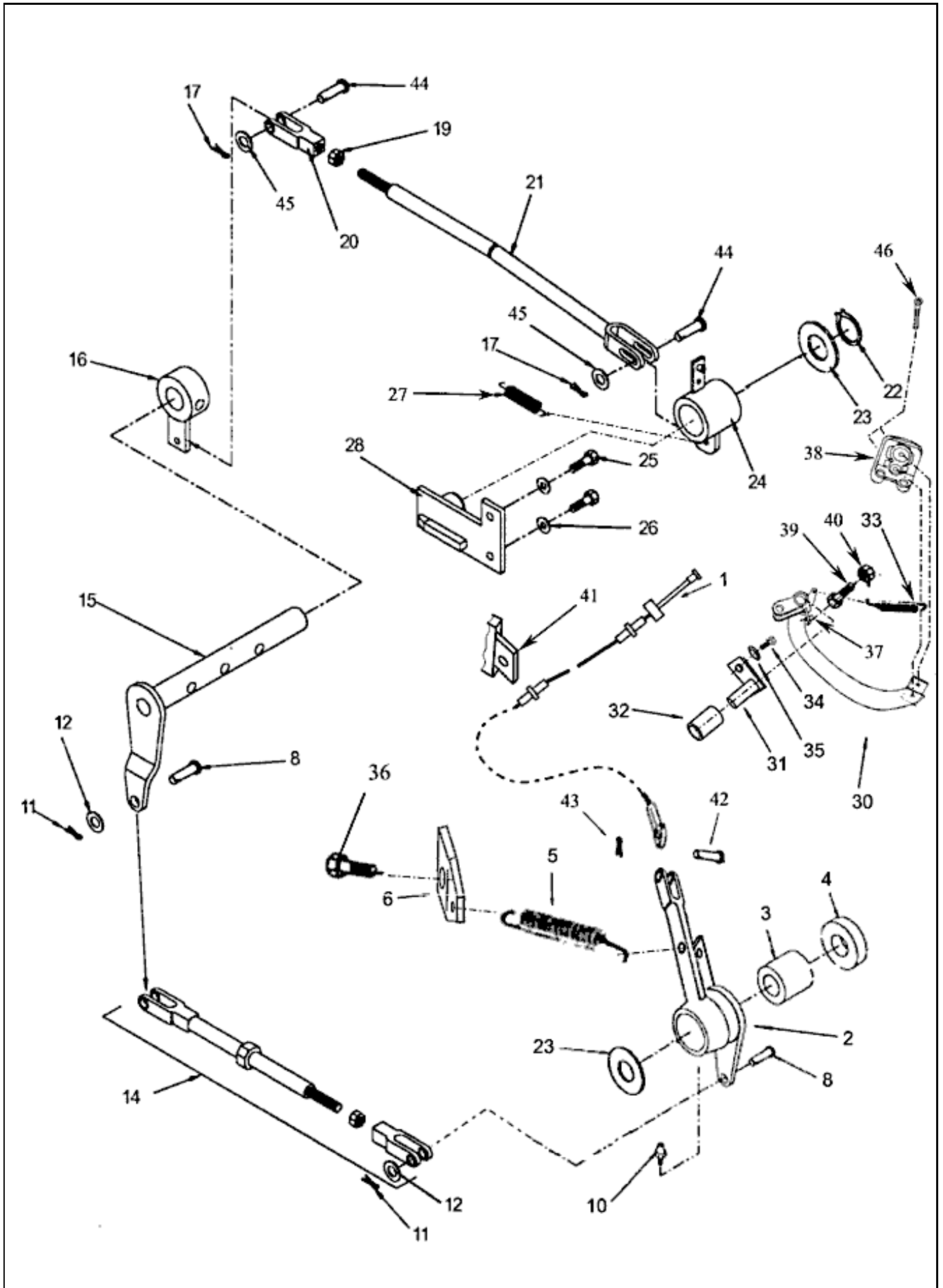
Clutch inner controls**03.06.011**

Item	Part No	Part Name	Qty.	Remarks
1	P5030600092	BUSH CLUTCH RETURN PTO	4	
2	P5030600093	FORK	1	
3	P5030600094	LEVER	1	
4	P5030600095	PIN 8x35 SPRING DOWEL	4	
5	P5030600096	SEAL O RING 3.63x16.85	3	
6	P5030600097	Lever & shaft PTO clutch	1	
7	P5030600098	SPRING	1	
8	P5030600099	BRACKET SPRING RETAINING	1	
9	P5030600100	BOLT	4	
10	P5030600101	SLEEVE PTO	1	
11	P5030600102	SLEEVE	1	
12	P5030600103	BEARING	1	
13	P5030600104	SLEEVE (CARRARO PART NO 149549)	1	
14	P5030600105	BEARING	1	
15	P5030600106	LEVER	1	
16	P5030600107	FORK CLUTCH	1	
17	P5030600108	SHAFT AND LEVER ASSEMBLY CLUTCH RELEASE	1	
18	P5030600109	SPRING	4	
19	P5030600110	RETAINER CLUTCH RELEASE	1	
20	P5030600111	BEARING	1	
20	P5030600112	BEARING	1	

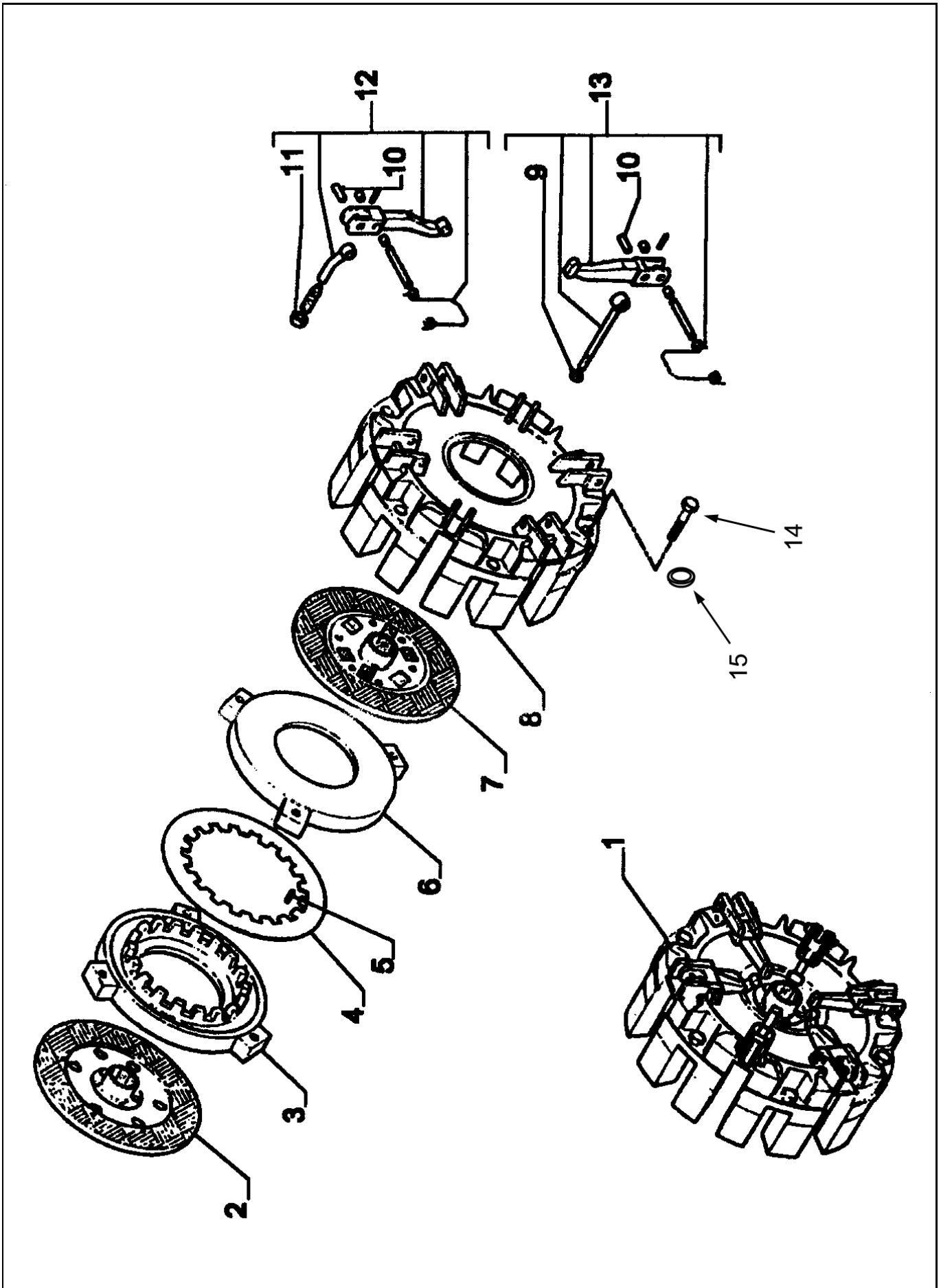


Clutch housing**03.06.012**

Item	Part No	Part Name	Qty.	Remarks
3	P5030600115	BOLT M14x25 6G	6	
5	P5030600116	PLUG CUP	2	
1	P5030600117	BUSH CLUTCH RELEASE CONTROL SHAFT	4	
4	P5030600118	BOLT M16x35 HEX HEAD	4	
7	P5030600119	BOLT M14x2.00x45 6G 10.9 HEX HEAD	8	
8	P5030600120	BUSH BRAKE PEDAL SHAFT	2	
10	P5030600121	SCREW M12x1.75x35-8.8 HEX HEAD	3	
11	P5030600122	BOLT M12x1.75x60-8.8 HEX HEAD	5	
12	P5030600123	BOLT M12x1.75x50-8.8 HEX HEAD	3	
13	P5030600124	BOLT M12x1.75x75-8.8 HEX HEAD	4	
2	P5030600125	HOUSING TRANSMISSION CLUTCH	1	
6	P5030600126	DOWEL PIN	2	
9	P5030600127	BOLT M14x20	4	
14	P5030600128	BOLT M12x10	1	
15	P5030600129	PLUG CUP	1	

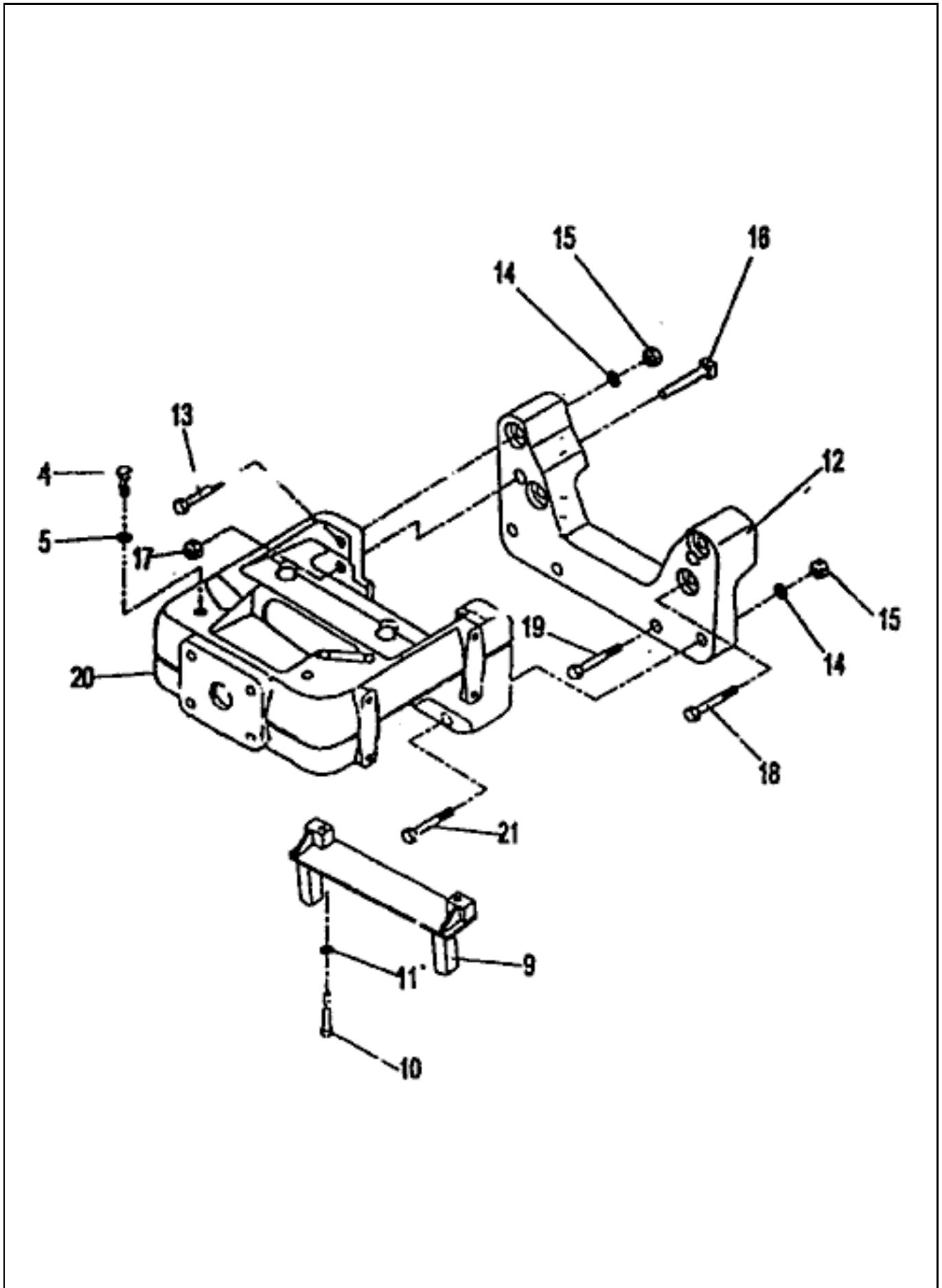


Item	Part No	Part Name	Qty.	Remarks
1	P5030600051	Clutch linkage	1	
2	P5030600052	PEDAL ASSEMBLY TRANSMISSION CLUTCH	1	
3	P5030600053	BUSH CLUTCH PEDAL	1	
4	P5030600054	WASHER FLAT	2	
5	P5030600055	SPRING TRANSMISSION CLUTCH PEDAL ASSIST	1	
8	P5030600056	PIN 3/8"x1.14" CLEVIS	2	
11	P5030600057	PIN 1/8"x0.75" COTTER	2	
14	P5030600058	ROD AND CLEVIS ASSEMBLY CLUTCH RELEASE	1	
15	P5030600059	LEVER	1	
16	P5030600060	LEVER	1	
17	P5030600061	PIN 3.2x25.0 COTTER	2	
18	P5030600062	PIN 10x32 CLEVIS	2	
19	P5030600063	NUT M10x1.50 HEX	1	
20	P5030600064	CLEVIS 10 x 47.62 ADJUSTABLE	1	
21	P5030600065	ROD FORWARD REVERSE LOCK	1	
22	P5030600066	CIRCLIP A15x0.90 SB	1	
23	P5030600067	WASHER 15.5x30 DIFFERENTIAL LOCK BUSH THR	1	
24	P5030600068	HUB AND LEVER ASSEMBLY FORWARD REVERS	1	
25	P5030600069	SCREW M12x1.75x25-6.6 HEX HEAD	2	
26	P5030600070	WASHER 1/2" SPRING LOCK	2	
28	P5030600071	BRACKET ASSEMBLY GEAR SHIFT LEVER PIVOT	1	
30	P5030600072	Lever LH	1	
31	P5030600073	Pedal pin	2	
32	P5030600074	Pin bush	1	
33	P5030600075	Pedal spring	2	
34	P5030600076	Bolt M6x1x20	1	PN-85/M-82105
35	P5030600077	WASHER M6 FLAT	1	PN-78/M-82005
6	P5030600078	Spring bracket	1	
36	P5030600079	Bolt M14x45 Fe/Zn	1	PN-85/M-82105
37	P5030600080	Rubber lever rebound	1	
38	P5030600081	Pedal plate	1	
39	P5030600082	Adjusting bolt M8x25 Fe/Zn	1	PN-85/M-82105
40	P5030600083	Nut M8 Fe/Zn	1	PN-86/M-82144
41	P5030600084	Bracket clutch cable conduit	1	
42	P5030600085	Pin ø8x30 Fe/Zn	1	
43	P5030600086	Pin cotter ø3,2x35	1	PN-76/M-82001
12	P5030600087	WASHER 3/8"	2	
44	P5030600088	Pin ø10x32	2	
45	P5030600089	WASHER ø10x20x2,5 FLAT	2	PN-90/M-82004
46	P5030600090	Knob head screw M8x15 Fe/Zn	2	PN-86/M-82208
27	P5030600091	Spring	1	



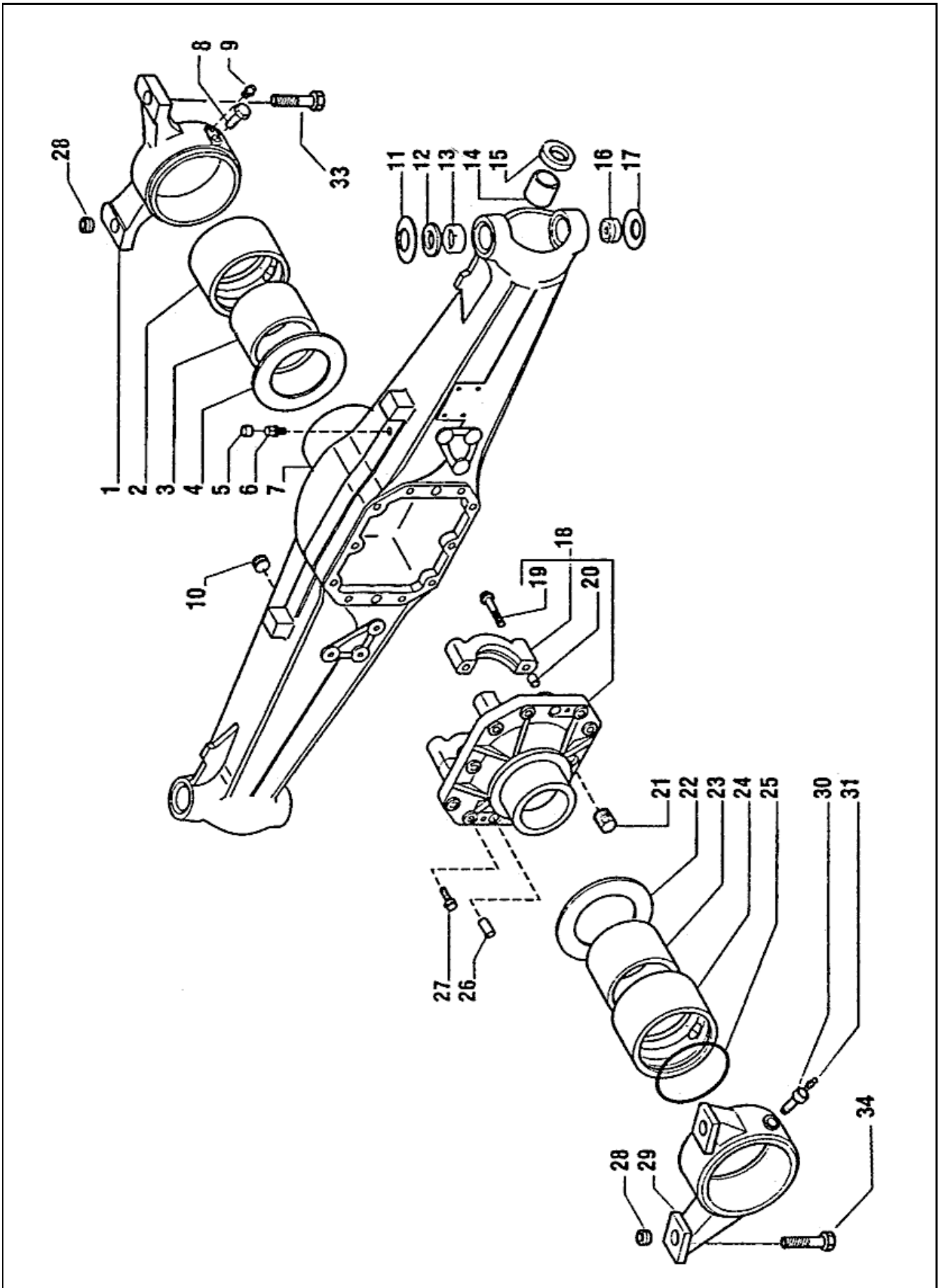
Pressure plate**03.06.052**

Item	Part No	Part Name	Qty.	Remarks
1	P5030691179	Clutch assy dual	1	E034650
2	P5030691180	Disc clutch PTO assy	1	E037770
3	P5030691181	Plate	1	
4	P5030691182	Washer belleville	1	
5	P5030691183	Pin	3	
6	P5030691184	Plate	1	
7	P5030691185	Disc clutch main drive	1	E037780
8	P5030691186	Housing	1	
9	P5030691187	Nut	3	
10	P5030691188	Pin spring	6	
11	P5030691189	Nut	3	
12	P5030691190	Kit lever main drive Carraro	1	
12	P5030691191	Kit lever main drive LUK	1	
13	P5030691192	Kit lever PTO drive Carraro	1	
13	P5030691193	Kit lever PTO drive LUK	1	
14	P5030691194	Bolt M10x60	6	
15	P5030691195	Spring washer M10	6	

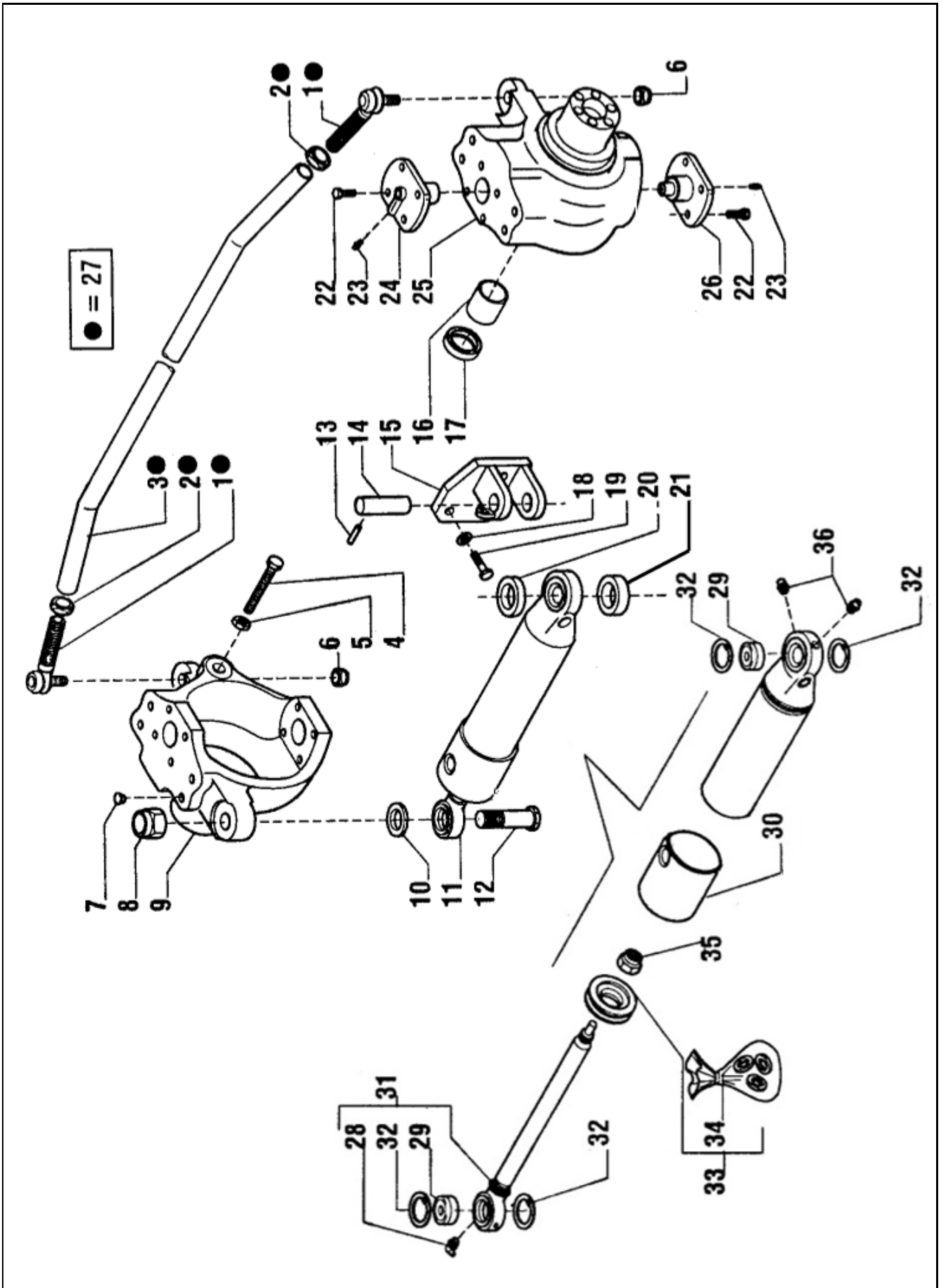


Support - front axle**03.07.014**

Item	Part No	Part Name	Qty.	Remarks
1	P5030791648	Front axle support	1	
2	P5030791649	Adaptor	1	
3	P5030791650	Spring washer 16	2	
4	P5030791651	Stopper	2	
5	P5030791652	Spring washer 1/2"	4	
6	P5030791653	Bolt 1/2"-13x2,5"	4	
7	P5030791654	Nut 3/4"-10	4	
8	P5030791655	Screw M16x95-10,9	2	
9	P5030791656	Screw M16x75-10,9	2	
10	P5030791657	Screw M16x95-10,9	2	
11	P5030791658	Square bolt 3/4"-10 x5,1"	2	
12	P5030791659	Screw M16x165-10,9	2	

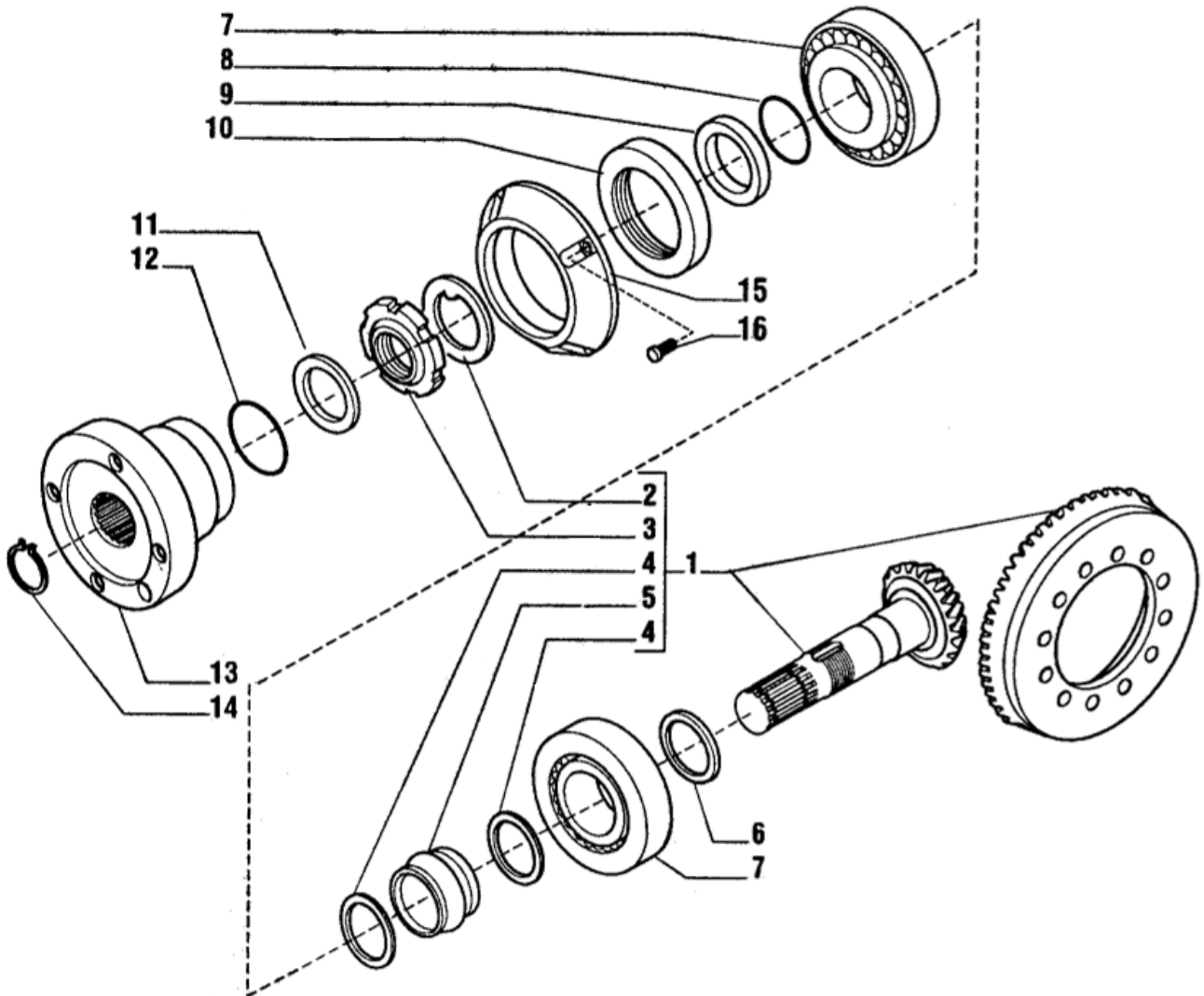


Item	Part No	Part Name	Qty.	Remarks
1	P5030700148	FRONT SUPPORT (PILLOW BLOCK)	1	
2	P5030700149	BUSH	1	
3	P5030700150	BUSH	1	
4	P5030700151	THRUST WASHER	1	
5	P5030700152	PROTECTION COVER	1	
6	P5030700153	BREATHER M10X1	1	
7	P5030700154	AXLE HOUSING	1	
8	P5030700155	BOLT	1	
9	P5030700156	GREASE NIPPLE M6X1	1	
10	P5030700157	PLUG 24X1.5	1	
11	P5030700158	BELLEVILLE WASSHER	2	
12	P5030700159	SPACER	2	
13	P5030700160	BUSH	2	
14	P5030700161	BUSH	2	
15	P5030700162	SEAL RING	2	
16	P5030700163	SPHERICAL BEARING	2	
17	P5030700164	BELLEVILLE WASSHER	1	
18	P5030700165	DIFFERENTIALAL SUPPORT	1	
19	P5030700166	BOLT	4	
20	P5030700167	CENTERING BUSH	4	
21	P5030700168	PLUG M24X1.5	1	
22	P5030700169	THRUST WASHER	1	
23	P5030700170	BUSH	1	
24	P5030700171	BUSH	1	
25	P5030700172	O RING	1	
26	P5030700173	PIN PLAIN DOWEL	2	
27	P5030700174	BOLT M12X33	10	
28	P5030700175	BUSH	4	
29	P5030700176	PILLOW BLOCK REAR	1	
30	P5030700177	BOLT	1	
31	P5030700178	GREASE NIPPLE M6X1	1	
33	P5030700180	BOLT 3/4"-10x2.5" HEX HEAD	2	
34	P5030700181	BOLT 3/4"-10x4.00" HEX HEAD	4	
35	P5030700182	PILLOW BLOCK ASSEMBLY FRONT	1	
36	P5030700183	FRONT AXLE ASSEMBLY WITH PILLOW BLOCK	1	
37	P5030700184	KIT REAR PILLOW BLOCK	1	

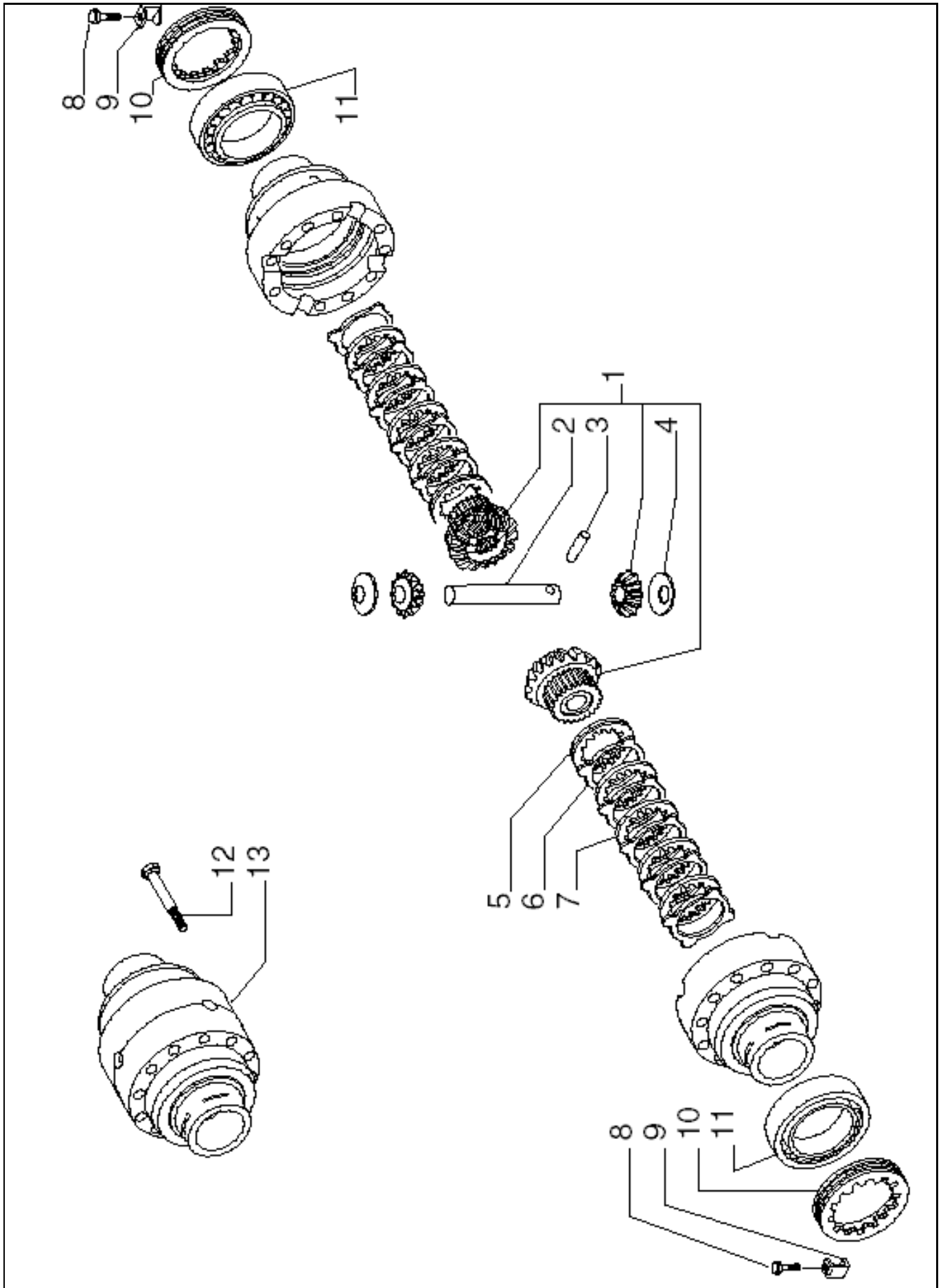


Swivels & steering rod**03.07.016**

Item	Part No	Part Name	Qty.	Remarks
1	P5030700186	BALL JOINT	2	
2	P5030700187	NUT M20X1.5	2	
3	P5030700188	STEERING ROD	1	
4	P5030700189	BOLT M16x2.0x75-8.8 HEX HEAD	2	
5	P5030700190	NUT M16	2	
6	P5030700191	NUT M14X1.5	2	
7	P5030700192	PLUG D14.6X9.5	8	
8	P5030700193	NUT SELF LOCK M22X1.5	1	
9	P5030700194	SWIVEL HOUSING LH	1	
10	P5030700195	WASHER 30X22.1X4	1	
11	P5030700196	STEERING CYLINDER	1	
12	P5030700197	PIN D22X100	1	
13	P5030700198	PIN 8x35 SPRING DOWEL	1	
14	P5030700199	PIN D22X95	1	
15	P5030700200	CLAMP	1	
16	P5030700201	BUSH	2	
17	P5030700202	SEAL RING 45X60X16	2	
18	P5030700203	RING D14	3	
19	P5030700204	BOLT M14X35	3	
20	P5030700205	SPACER 33.7X22.1X7.5	1	
21	P5030700206	SPACER 33.7X22.1X11	1	
22	P5030700207	BOLT M12X1.75X30 (SELF LOCK)	16	
23	P5030700208	GREASE NIPPLE M6X1	4	
24	P5030700209	KING PIN	2	
25	P5030700210	SWIVEL HOUSING RH	1	
26	P5030700211	KING PIN	2	
28	P5030700212	GREASE NIPPLE M6X1	1	
29	P5030700213	BALL JOINT	2	
30	P5030700214	CYLINDER HEAD	1	
31	P5030700215	ROD ASSEMBLY	1	
32	P5030700216	CIRCLIP	2	
33	P5030700217	PISTON & CYLINDER SEAL KIT	1	
34	P5030700218	CYLINDER SEAL KIT	1	
35	P5030700219	LOCK NUT M16X1.5	1	
27	P5030791660	Steering rod assy	1	
36	P5030791661	Grease nipple M6x1	2	

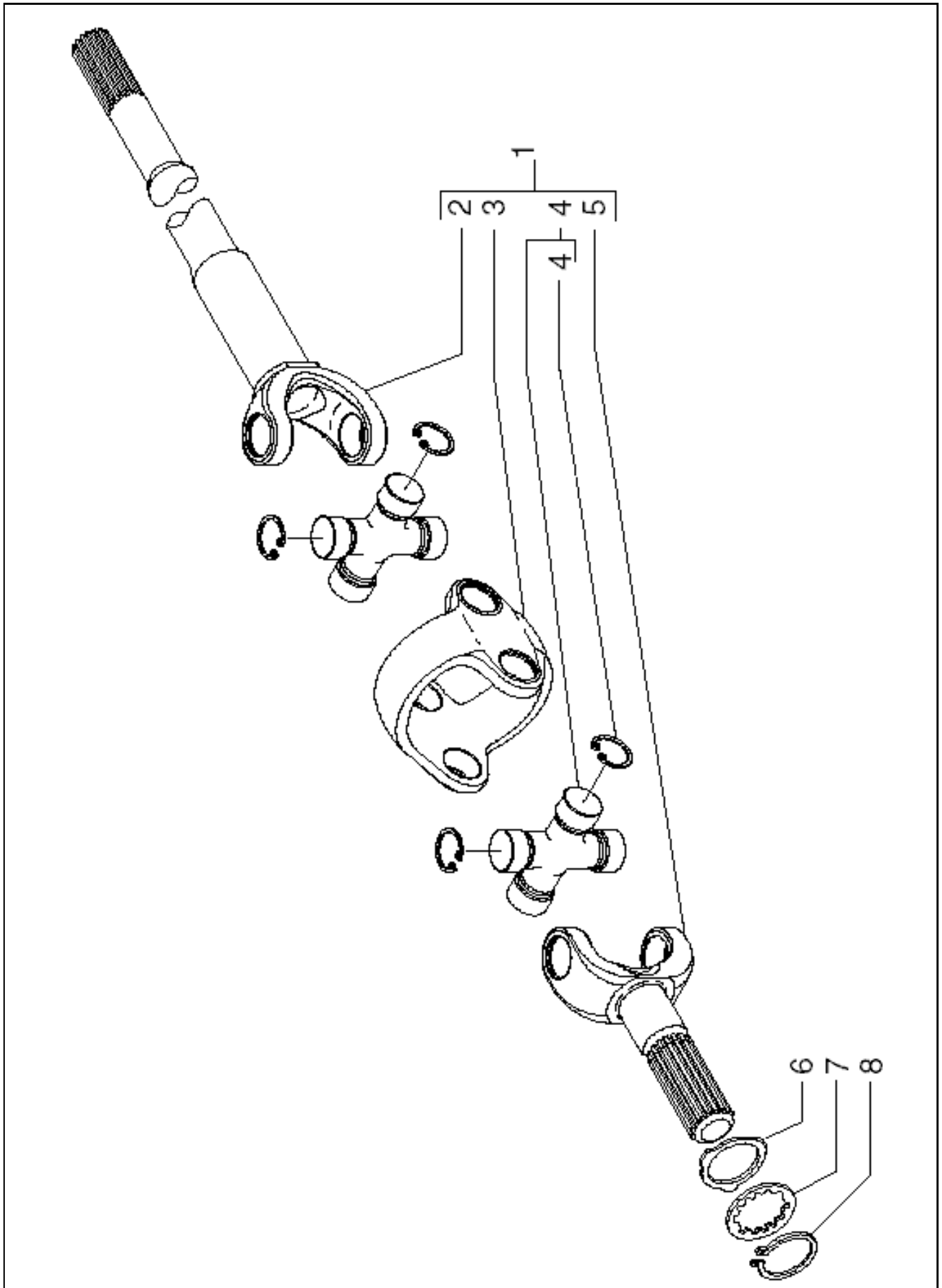


Item	Part No	Part Name	Qty.	Remarks
1	P5030700220	BEVEL GEAR & PINION SET 13/30	1	Zawiera poz. 2, 3, 4 i
2	P5030700221	LOCK WASHER	1	
3	P5030700222	RING NUT M35X1.5	1	
4	P5030700223	WASHER 45X35.5X2	2	
5	P5030700224	COLLAPSIBLE SPACER	1	
6	P5030700225	SHIM 2.50MM	AR	Wg potrzeb
6	P5030700226	SHIM 2.60MM	AR	Wg potrzeb
6	P5030700227	SHIM 2.70MM	AR	Wg potrzeb
6	P5030700228	SHIM 2.80MM	AR	Wg potrzeb
6	P5030700229	SHIM 2.90MM	AR	Wg potrzeb
6	P5030700230	SHIM 3.00MM	AR	Wg potrzeb
6	P5030700231	SHIM 3.10MM	AR	Wg potrzeb
6	P5030700232	SHIM 3.20MM	AR	Wg potrzeb
6	P5030700233	SHIM 3.30MM	AR	Wg potrzeb
6	P5030700234	SHIM 3.40MM	AR	Wg potrzeb
7	P5030700235	BEARING	2	
8	P5030700236	O RING	1	
9	P5030700237	SPACER	1	
10	P5030700238	SEAL RING	1	
11	P5030700239	WASHER 45X31.5X3	1	
12	P5030700240	O RING	1	
13	P5030700241	FLANGE	1	
14	P5030700242	SNAP RING	1	
15	P5030700243	FLANGE	1	
16	P5030700244	BOLT M6X16	4	



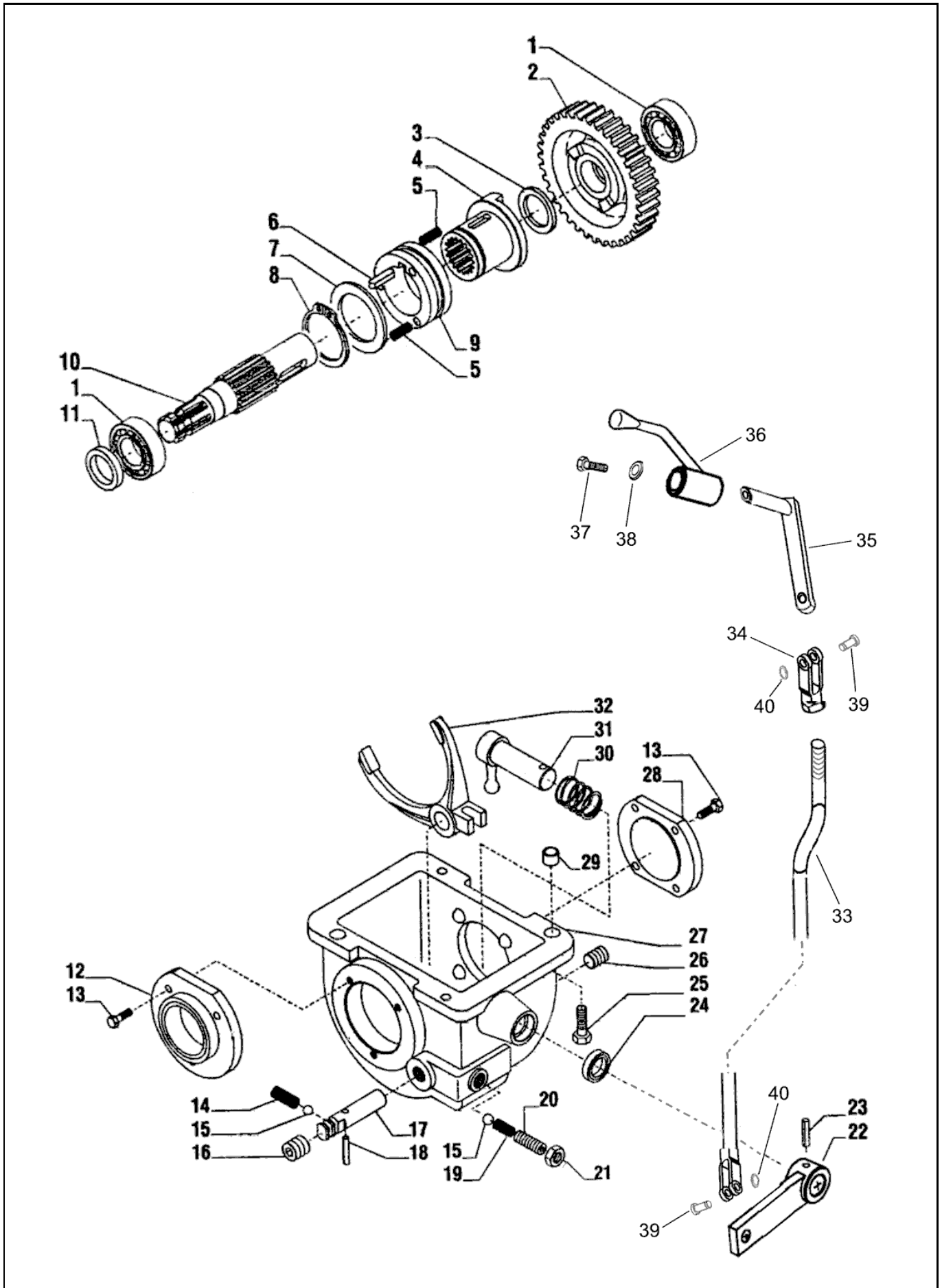
Differential (front)**03.07.018**

Item	Part No	Part Name	Qty.	Remarks
1	P5030700245	DIFFERENTIAL KIT	1	Zawiera poz. 2,3 i 4
2	P5030700246	SHAFT	1	
3	P5030700247	PIN D.6X40	2	
4	P5030700248	TRUST WASHER	2	
5	P5030700249	PLATE	2	
6	P5030700250	DRIVE PLATE	10	
7	P5030700251	PLATE	8	
8	P5030700252	SCREW M6X10 (SELF LOCK)	2	
9	P5030700253	LOCKING PLATE	2	
10	P5030700254	RING NUT	2	
11	P5030700255	BEARING	2	
12	P5030700256	BOLT M10X1.5X75	12	
13	P5030700257	DIFFERENTIAL HOUSING	1	

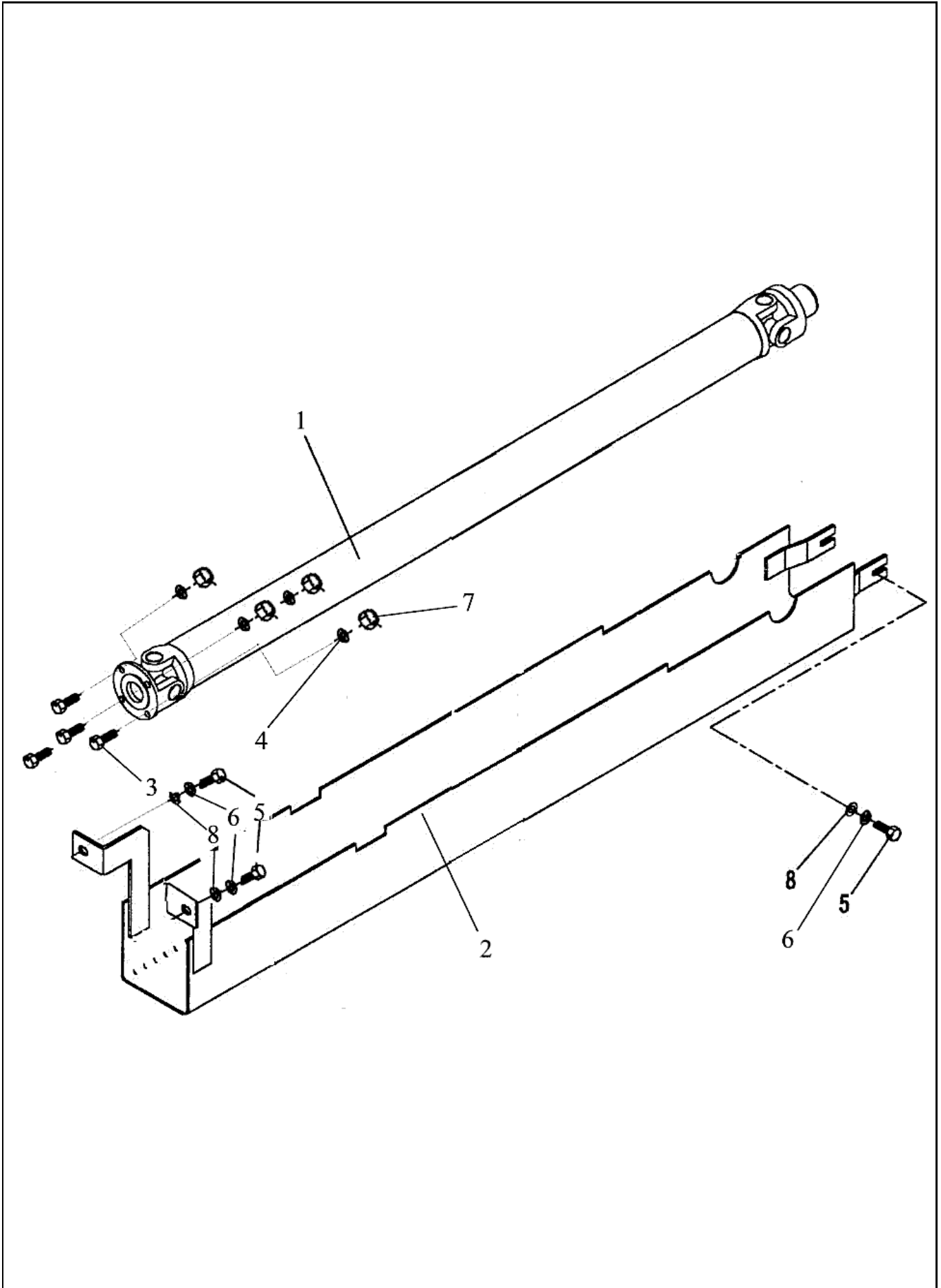


Double joint**03.07.019**

Item	Part No	Part Name	Qty.	Remarks
1	P5030700258	DOUBLE JOINT	2	
2	P5030700259	FORK (DIFF. SIDE)	2	
3	P5030700260	CENTRAL BODY	2	
4	P5030700261	SPIDER	4	
5	P5030700262	FORK (WHEEL HUB)	2	
6	P5030700263	THRUST WASHER	2	
7	P5030700264	THRUST WASHER	2	
8	P5030700265	SNAP RING D45	2	

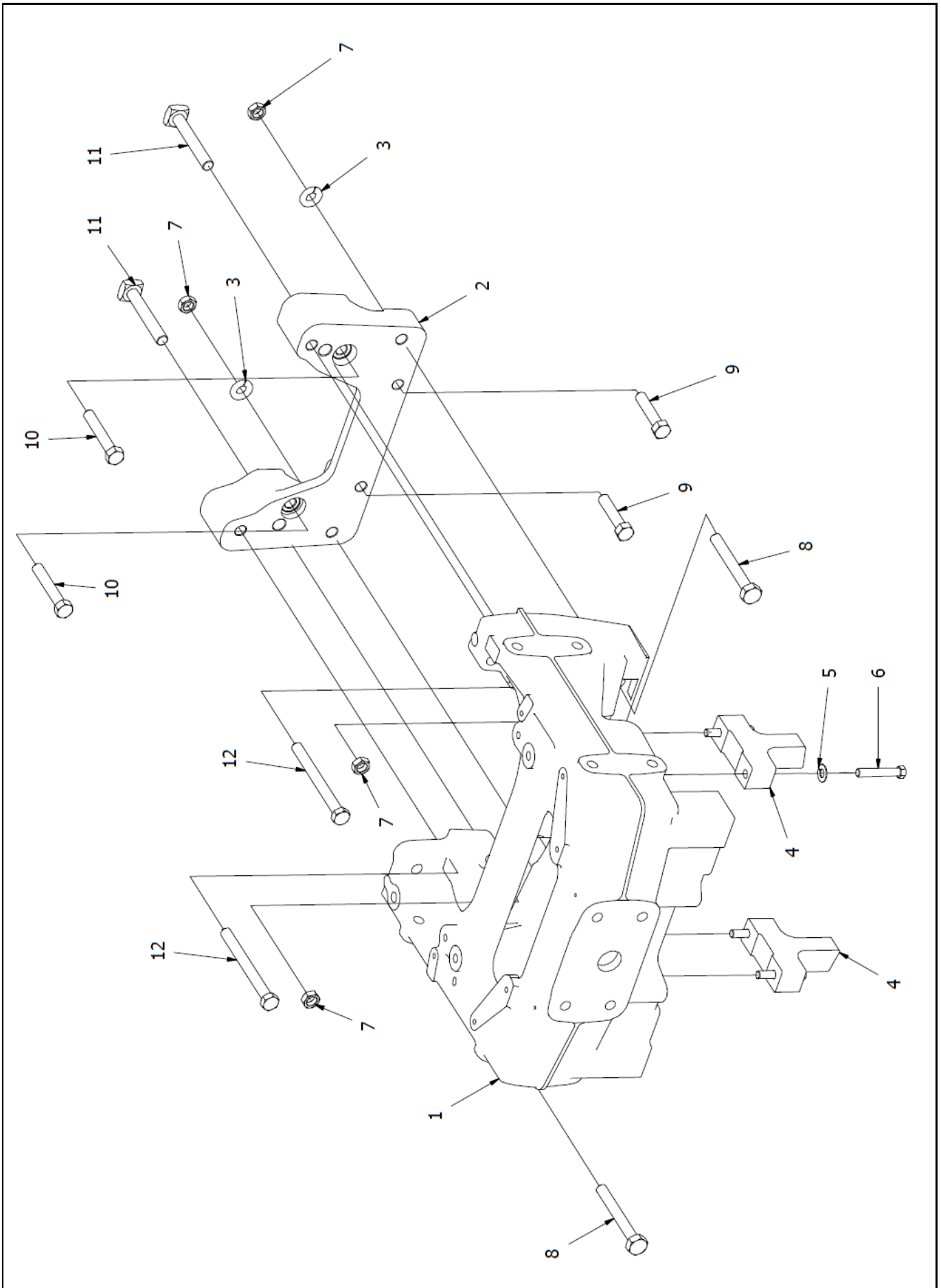


Item	Part No	Part Name	Qty.	Remarks
1	P5030700266	BEARING	2	
2	P5030700267	GEAR Z=46	1	
3	P5030700268	WASHER	1	
4	P5030700269	GEAR Z=13	1	
5	P5030700270	SPRING	6	
6	P5030700271	KEY 4X4X15	1	
7	P5030700272	WASHER	1	
8	P5030700273	SNAP RING	1	
9	P5030700274	SLEEVE	1	
10	P5030700275	SHAFT	1	
11	P5030700276	OIL SEAL	1	
12	P5030700277	COVER	1	
13	P5030700278	BOLT M8X20 (SELF LOCK)	7	
14	P5030700279	SPRING	1	
15	P5030700280	BALL D 5/16"	2	
16	P5030700281	PLUG	1	
17	P5030700282	FORK PIN 506	1	
18	P5030700283	PIN D5X30	1	
19	P5030700284	SPRING	1	
20	P5030700285	GRUB SCREW M12X25	1	
21	P5030700286	NUT M.12	1	
22	P5030700287	BRACKET ASSEMBLY HUB AND LEVER	1	
23	P5030700288	ROLL PIN D6x36	1	
24	P5030700289	OIL SEAL	1	
25	P5030700290	BOLT M12X1.75X30 (SELF LOCK)	4	
26	P5030700291	PLUG M24X1.5	1	
27	P5030700292	HOUSING (DROP BOX)	1	
28	P5030700293	REAR COVER	1	
29	P5030700294	BUSH	2	
30	P5030700295	SPRING	1	
31	P5030700296	LEVER	1	
32	P5030700297	FORK	1	
33	P5030700298	LEVER ASSEMBLY ENGAGEMENT 4 WHEEL DRIV	1	
34	P5030700299	Fork	1	
35	P5030700300	Rod	1	
36	P5030700301	Control lever	1	
37	P5030700302	Bolt M6x20	1	PN-85/M-82105
38	P5030700303	WASHER M6 6,4 FLAT	1	PN-78/M-82005
39	P5030700304	Pin d8x20	2	
40	P5030700305	Circlip z8	2	PN-81/M-85111
41	P5030700306	DROP BOX ASSEMBLY FT-70	1	bez elementów sterow



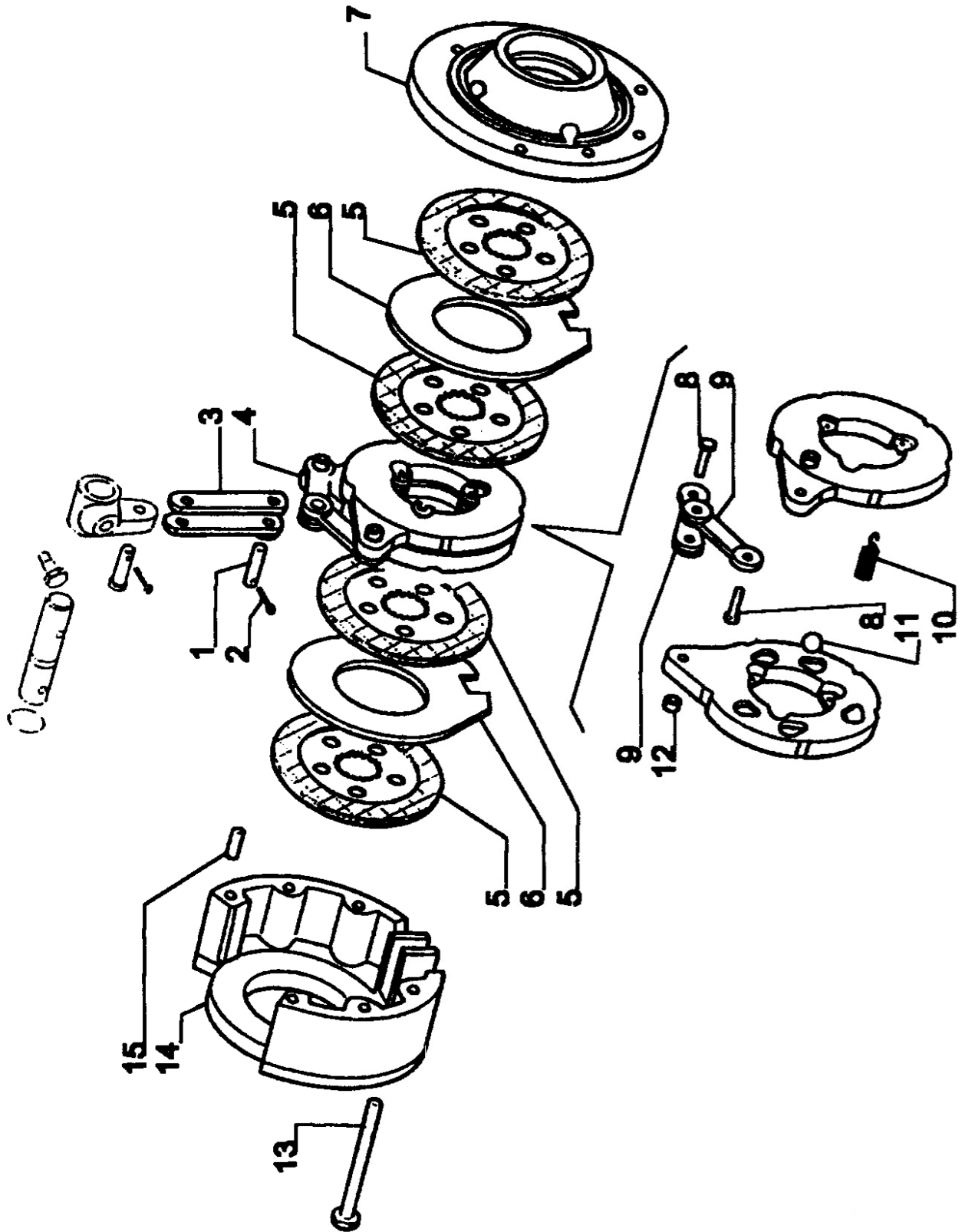
Propeller shaft**03.07.021**

Item	Part No	Part Name	Qty.	Remarks
1	P5030700307	Propeller Shaft Assembly	1	
2	P5030700308	Guard Assy-Propeller Shaft	1	
3	P5030700309	Bolt 3/8"-16x1,125" - FeZn 8,8	4	
4	P5030700310	Spring washer 3/8"	4	PN-77/M-82008
5	P5030700311	Bolt M8 5.8 Fe/Zn	4	
6	P5030700312	Washer M8x19x3 Flat	4	PN-77/M-82008
7	P5030700313	Nut 3/8 FeZn	4	
8	P5030700314	Washer	4	



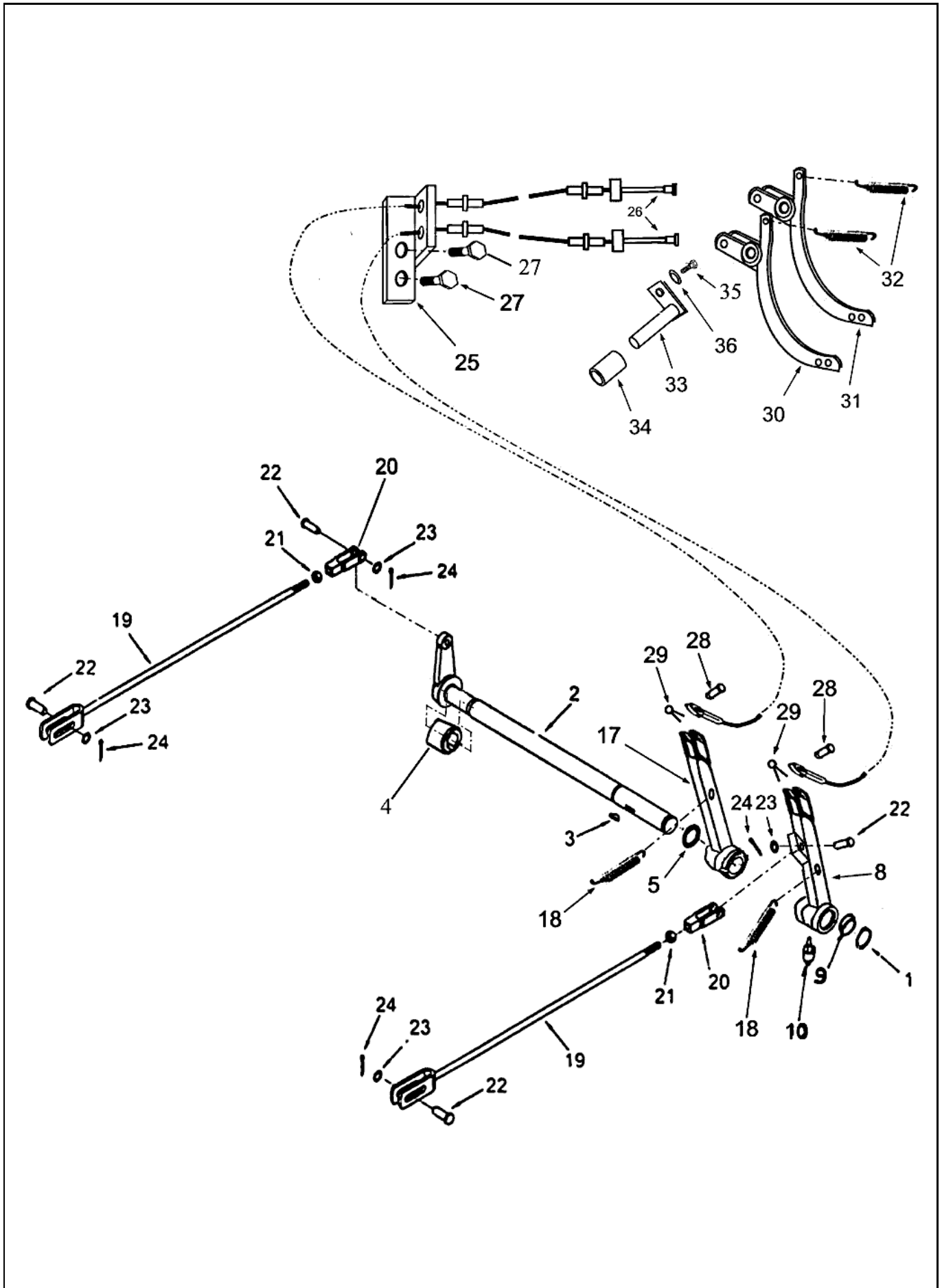
Front axle support assy.**03.07.106**

Item	Part No	Part Name	Qty.	Remarks
1	P5030791382	Front axle support	1	
2	P5030791383	Adaptor	1	
3	P5030791384	Spring washer 16	2	
4	P5030791385	Stopper	2	
5	P5030791386	Spring washer 1/2"	4	
6	P5030791387	Bolt 1/2"-13x2,5"	4	
7	P5030791388	Nut 3/4"-10	4	
8	P5030791389	Screw M16x95-10,9	2	
9	P5030791390	Screw M16x75-10,9	2	
10	P5030791391	Screw M16x95-10,9	2	
11	P5030791392	Square bolt 3/4"-10 x5,1"	2	
12	P5030791393	Screw M16x165-10,9	2	



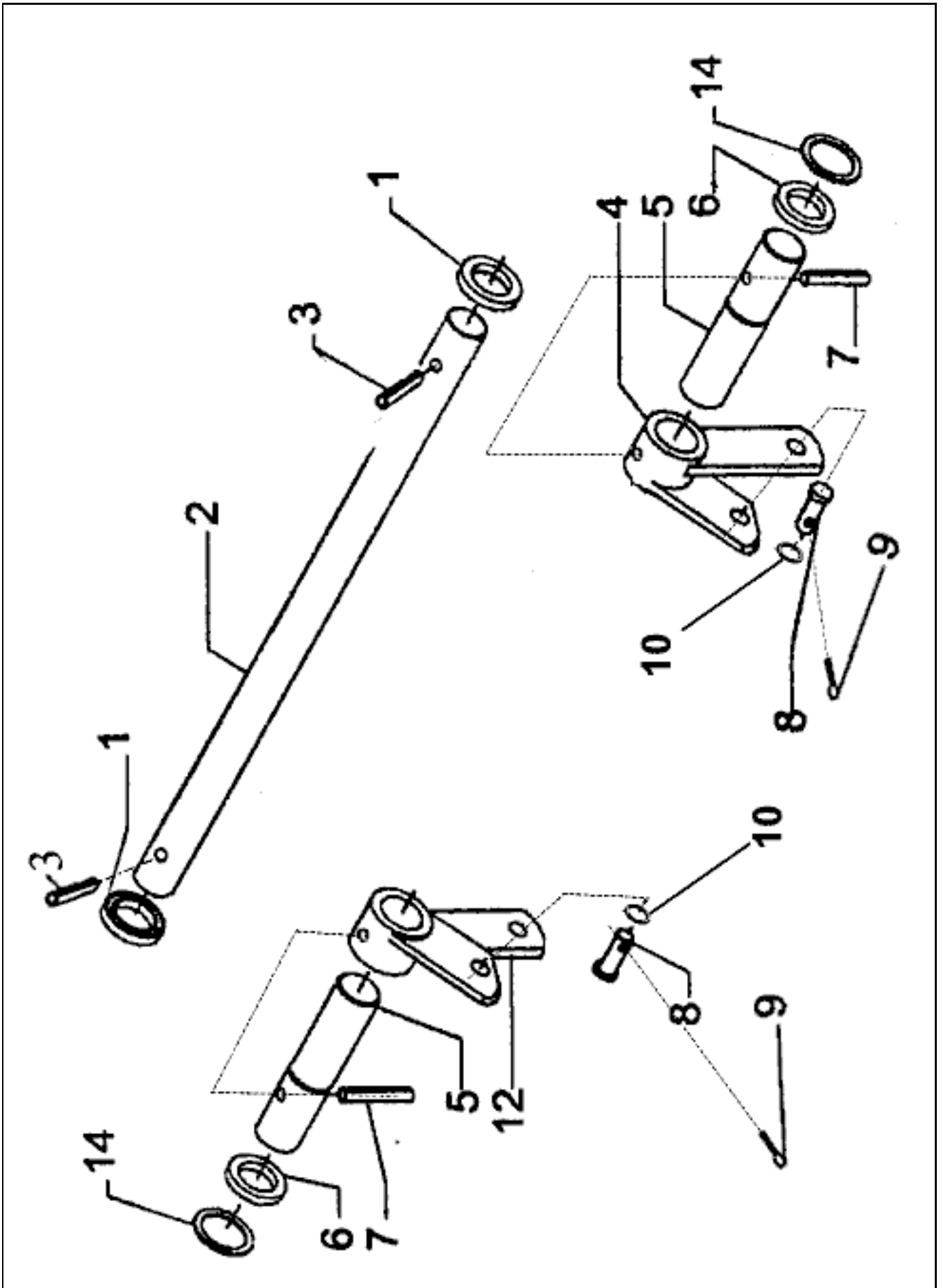
Brakes**03.08.022**

Item	Part No	Part Name	Qty.	Remarks
1	P5030800315	PIN D11	2	
2	P5030800316	PIN SPRING LOCK (CARRARO PART NO 146912)	2	
3	P5030800317	TIE BAR (CARRARO PART NO 146913)	2	
4	P5030800318	BRAKE MECHANISM	2	zawiera poz. 8-12
5	P5030800319	BRAKE DISC	8	
6	P5030800320	PLATE BRAKE DRIVE	4	
7	P5030800321	SUPPORTING FLANGE	2	
8	P5030800322	BOLT	4	
9	P5030800323	TIE ROD	4	
10	P5030800324	SPRING	6	
11	P5030800325	BALL	10	
12	P5030800326	NUT	4	
13	P5030800327	BOLT M12X110	10	
14	P5030800328	FLANGE BRAKES	2	
15	P5030800329	PIN D12X50	4	



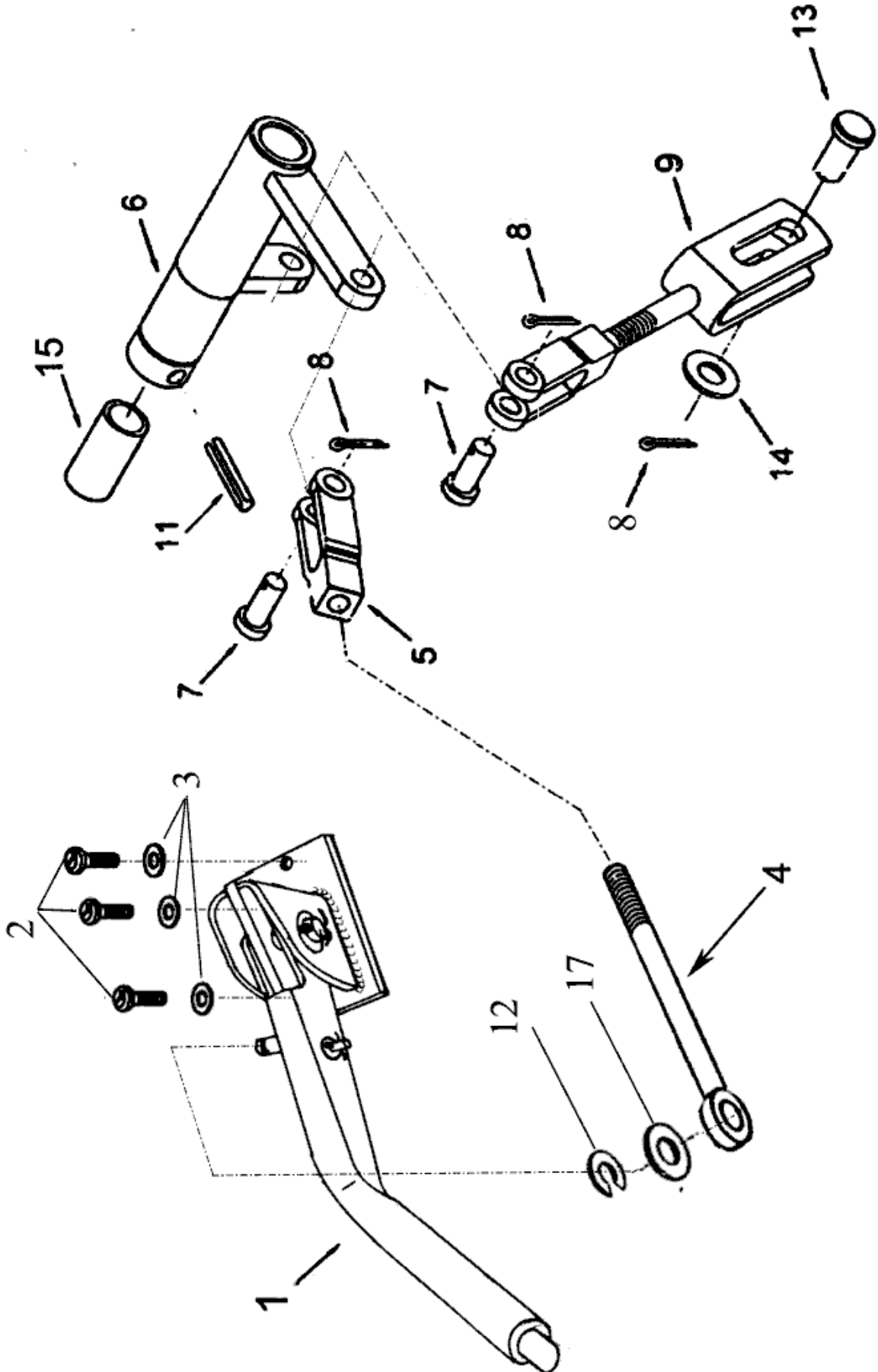
Brake pedals
03.08.023

Item	Part No	Part Name	Qty.	Remarks
1	P5030800330	RING CLUTCH AND BRAKE CROSS SHAFT LOCK	1	
2	P5030800331	SHAFT BRAKE CROSS WITH LEVER	1	
3	P5030800332	KEY 1/4"x7/8" WOODRUFF	1	
4	P5030800333	SPACER	1	
5	P5030800334	SEAL O RING 3.53x28.20	1	
8	P5030800335	PEDAL ASSEMBLY BRAKE RH	1	
9	P5030800336	BUSH BRAKE PEDAL	1	
10	P5030800337	GREASE NIPPLE 1/4"-28 STRAIGHT FITTING	1	
17	P5030800338	PEDAL ASSEMBLY BRAKE LH	1	
18	P5030800339	SPRING CLUTCH PEDAL RETAINING	2	
19	P5030800340	ROD AND CLEVIS ASSEMBLY BRAKE CONTROL	2	
20	P5030800341	CLEVIS M12	1	
21	P5030800342	NUT 3/8"-24 HEX	2	
22	P5030800343	PIN \varnothing 12x38 CLEVIS	4	
23	P5030800344	WASHER M12 FLAT	4	
24	P5030800345	PIN 3.2x40.0 COTTER	4	
25	P5030800346	Cable bracket	2	
26	P5030800347	Cable of pedal	2	
27	P5030800348	Bolt M12x25	2	
30	P5030800349	Lever RH	1	
31	P5030800350	Lever LH	1	
32	P5030800351	Pedal spring	2	
33	P5030800352	Pedal pin	1	
34	P5030800353	Pin bush	2	
35	P5030800354	Bolt M6x1x20	1	PN-85/M-82105
36	P5030800355	WASHER M6 FLAT 6,4	1	PN-78/M-82005
20	P5030800356	CLEVIS	1	
28	P5030800357	PIN \varnothing 8x28	2	
29	P5030800358	PIN \varnothing 3.2x35.0 COTTER	2	PN-76/M-82001



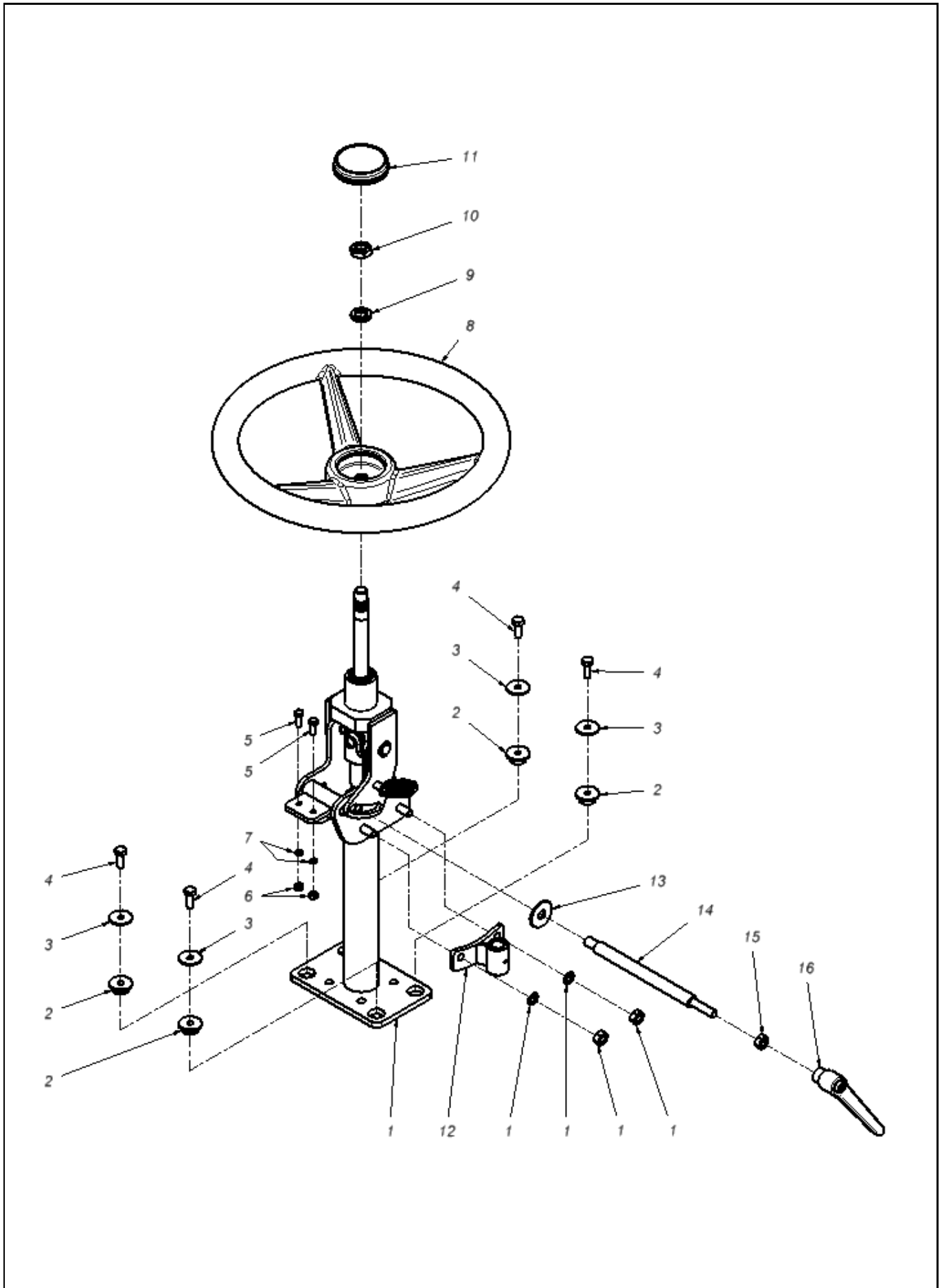
Brake release system**03.08.024**

Item	Part No	Part Name	Qty.	Remarks
1	P5030800359	SEAL OIL	2	
2	P5030800360	SHAFT HAND BRAKE	1	
3	P5030800361	PIN D8X36	2	
4	P5030800362	LEVER BRAKE LH	1	
5	P5030800363	BRAKE SHAFT	2	
6	P5030800364	SEAL RING	2	
7	P5030800365	PIN 10X45	2	
8	P5030800366	PIN D11	2	
9	P5030800367	SPLIT PIN D32X32	4	
10	P5030800368	WASHER 12	4	PN-90/M-82004
12	P5030800369	LEVER BRAKE RH	1	
14	P5030800370	WASHER THRUST	2	



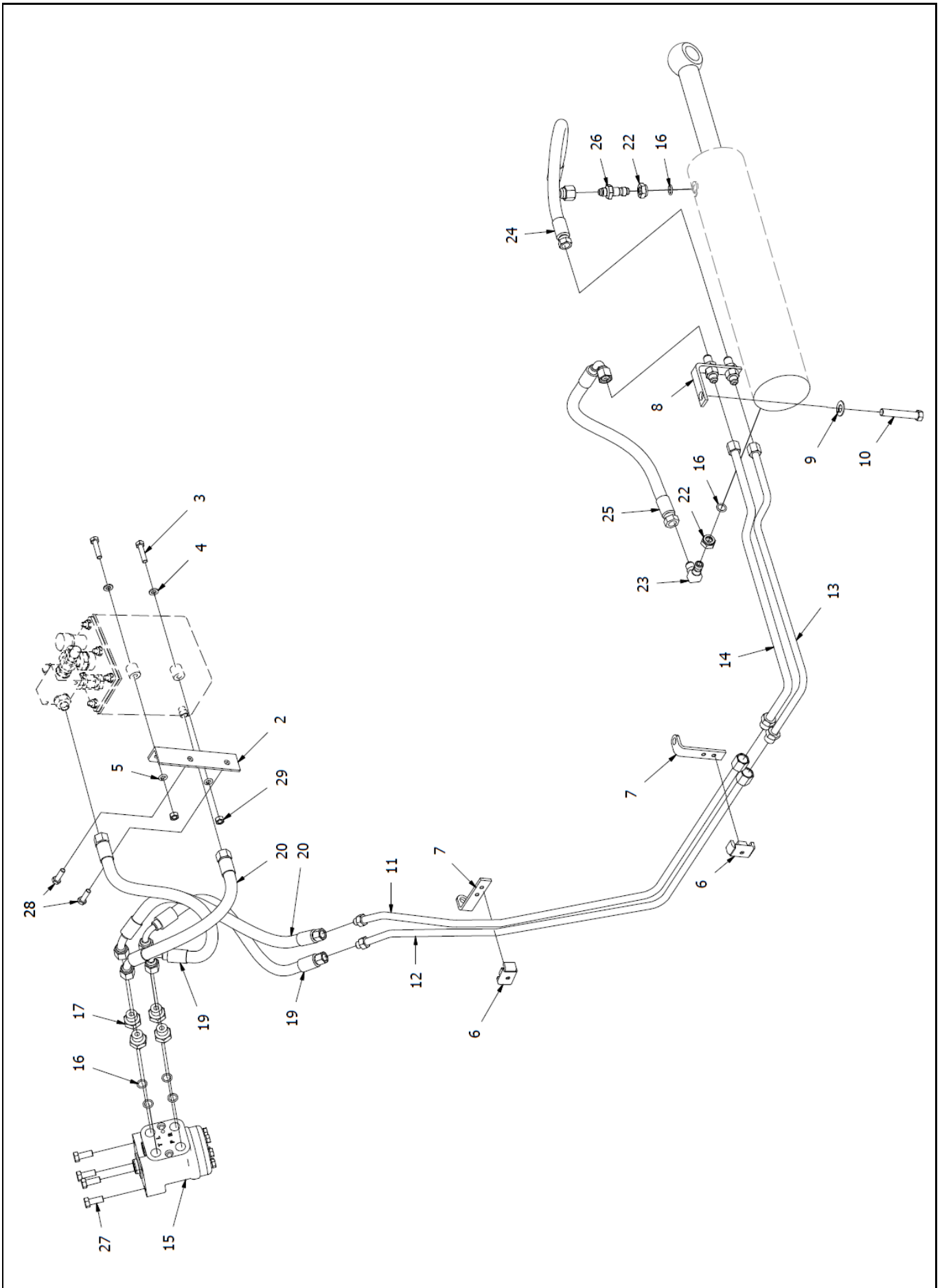
Hand brake**03.08.025**

Item	Part No	Part Name	Qty.	Remarks
1	P5030800371	Hand brake lever	1	
2	P5030800372	BOLT M6x1.00x20-9.8 HEX HEAD	3	PN-85/M-82105
3	P5030800373	WASHER M6 FLAT	3	PN-78/M-82005
4	P5030800374	Rod	1	
5	P5030800375	CLEVIS 10 x 47.62 ADJUSTABLE	1	
6	P5030800376	SHAFT PARKING BRAKE EXTENSION	1	
7	P5030800377	PIN 3/8"x1.14" CLEVIS	2	
8	P5030800378	PIN 1/8"x0.75" COTTER	3	PN-76/M-82001
9	P5030800379	ROD AND CLEVIS ASSEMBLY	1	
11	P5030800380	PIN 3.2x25.0 COTTER	1	
12	P5030800381	Circlip outer dz=10	1	PN-81/M-85111
13	P5030800382	PIN \varnothing 12x35 CLEVIS	1	
14	P5030800383	WASHER M12 FLAT (\varnothing 13x \varnothing 24x2,5)	1	PN-78/M-82005
15	P5030800384	BUSH PTO CLUTCH LEVER	1	
17	P5030800386	WASHER (\varnothing 10,5x \varnothing 20x1,5)Fe/Zn	1	PN-78/M-82005



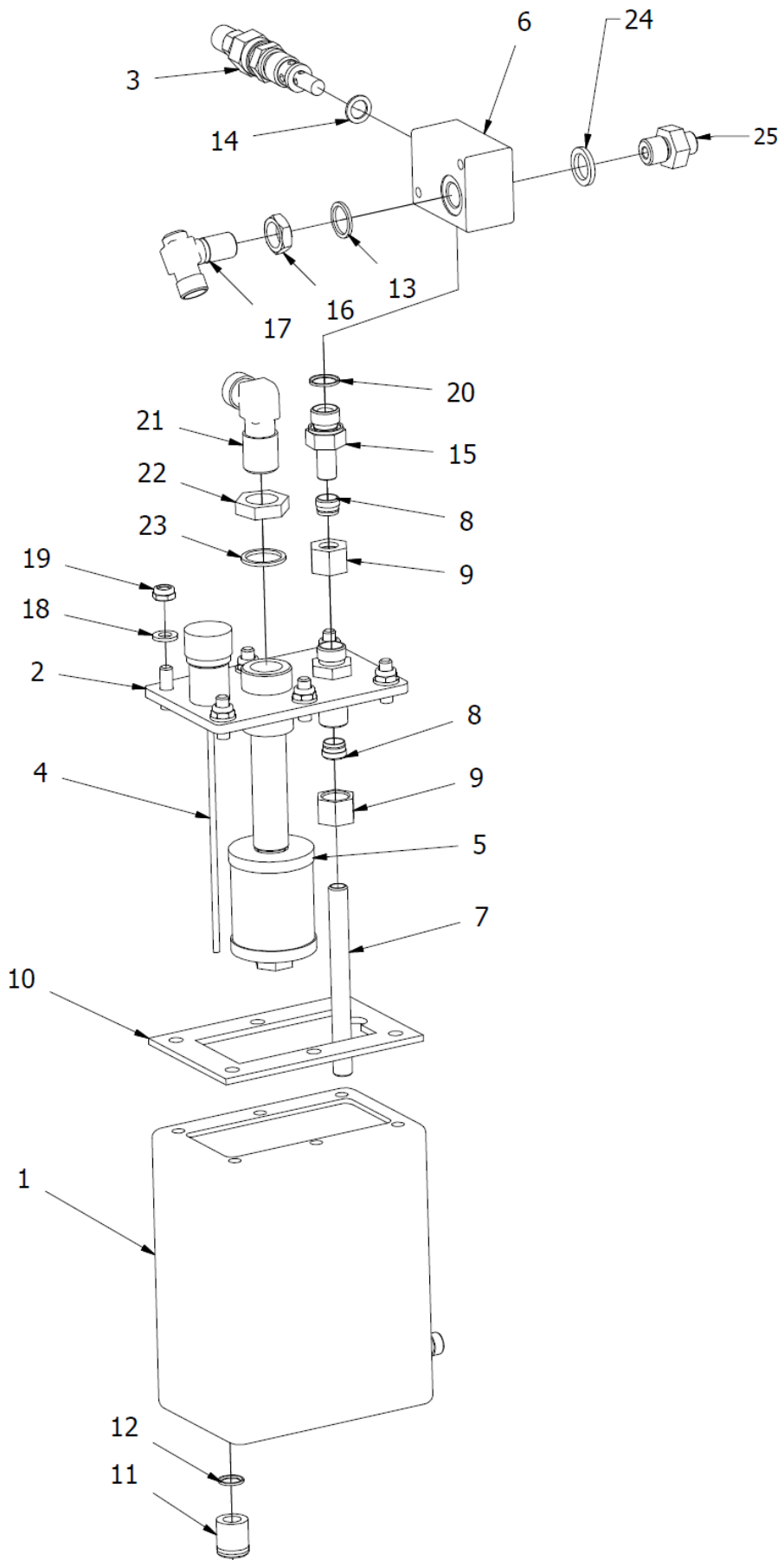
Steering column**03.09.034**

Item	Part No	Part Name	Qty.	Remarks
1	P5030990130	Steering column	1	
2	P5030990435	Rubber pad	4	
3	P5030990436	Washer	4	
4	P5030990437	Bolt M8x22-5.8	4	
5	P5030990438	Bolt M6x18-5.8	2	
6	P5030990439	Nut M6	2	
7	P5030990440	Spring washer Ø6	2	
8	P5030990441	Steering wheel	1	
9	P5030990442	Spring washer Ø16	1	
10	P5030990443	Nut M16	1	
11	P5030990456	Cap	1	
12	P5030990445	Reverser lever rod handle	1	
13	P5030990446	Washer Ø12	1	
14	P5030990447	Threded rod	1	
15	P5030990448	Nut M10	1	
16	P5030990449	Handle	1	

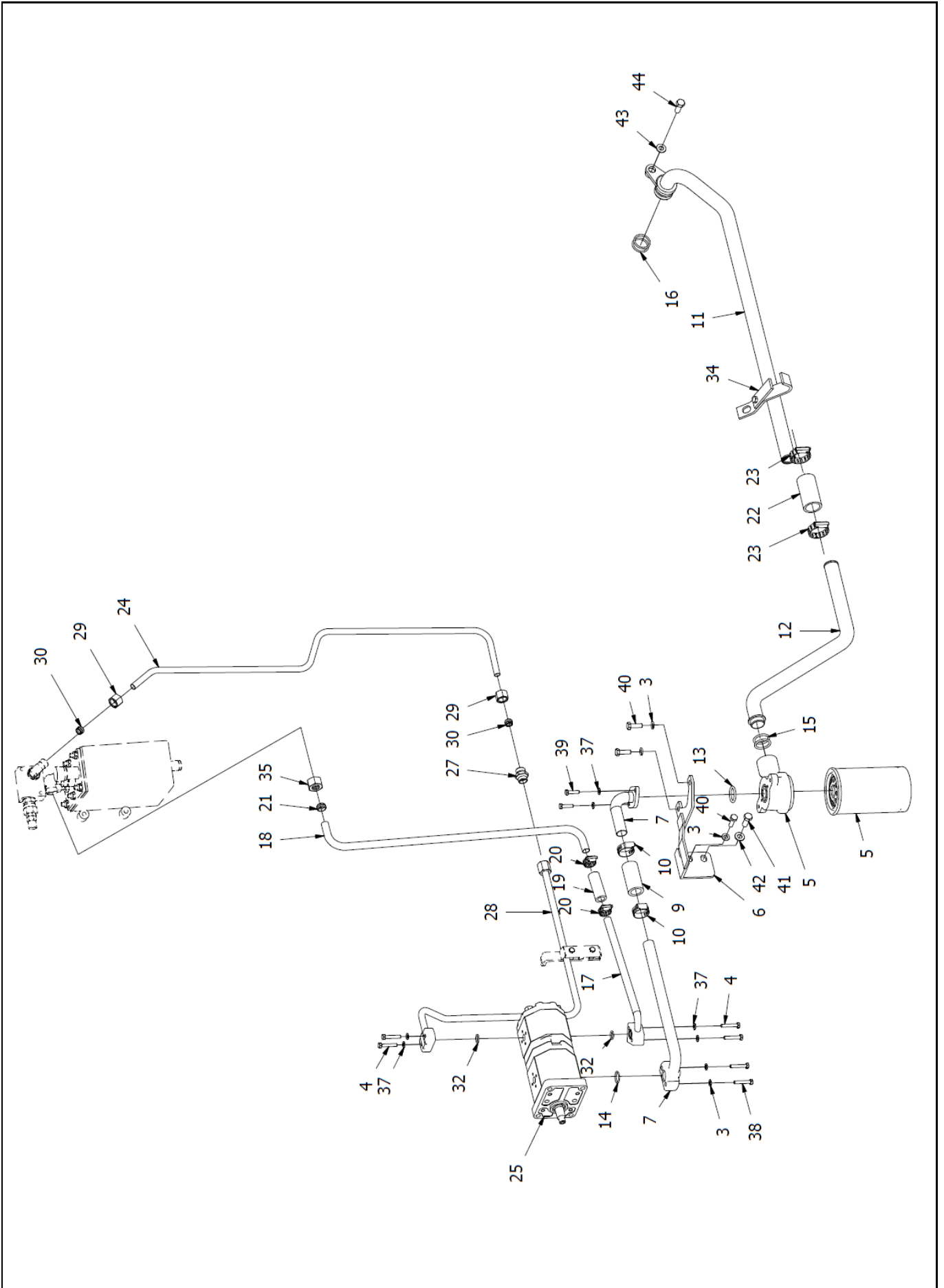


Steering system**03.09.054**

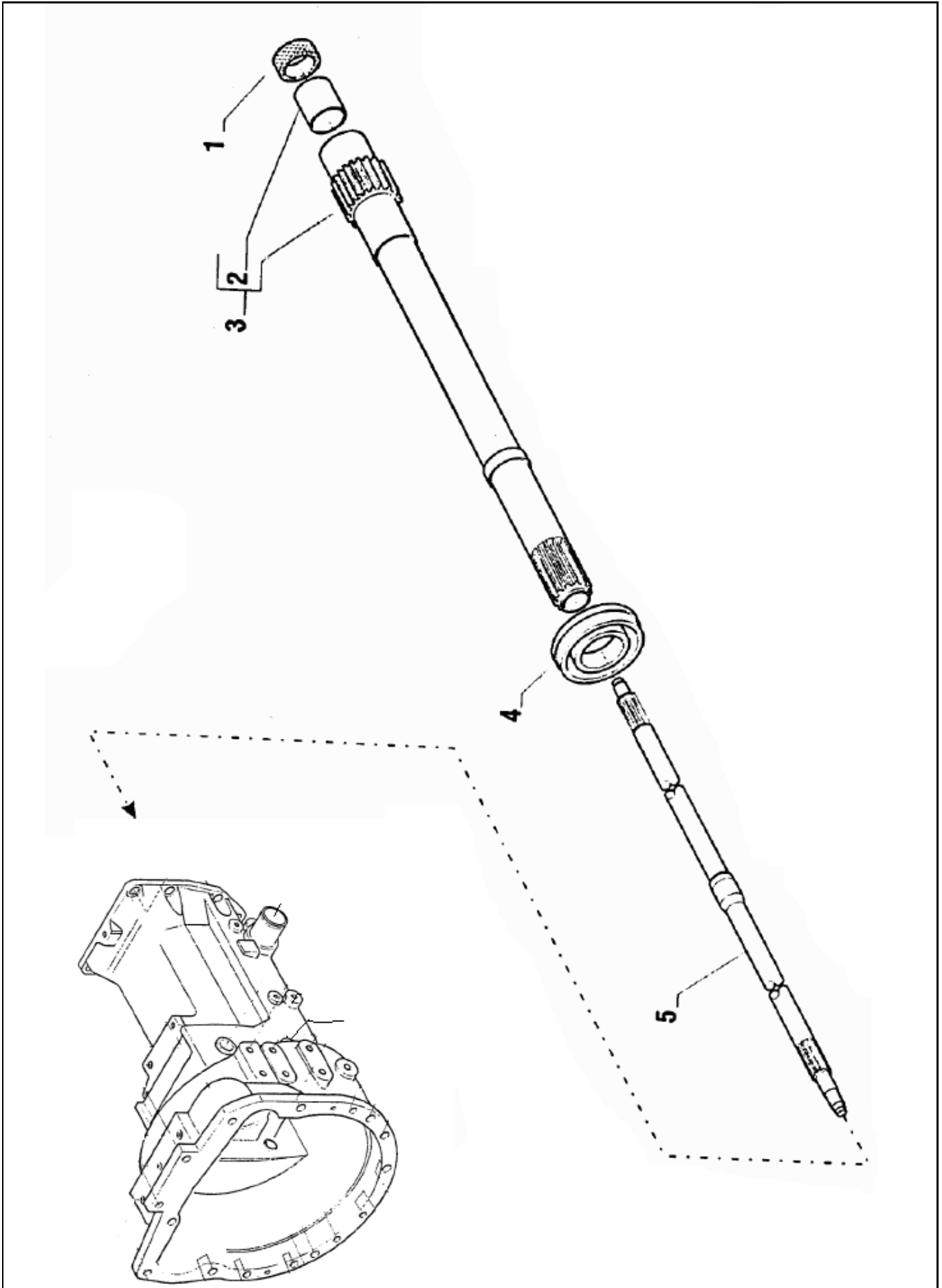
Item	Part No	Part Name	Qty.	Remarks
2	P5030991196	Oil tank support	1	
3	P5030991197	Bolt M8x30	10	
4	P5030991198	Flat washer 8	2	
5	P5030991199	Spring washer 8	2	
6	P5030991200	Support	2	
7	P5030991201	Support	2	
8	P5030991202	Support	1	
9	P5030991203	Spring washer 1/2"	1	
10	P5030991204	Bolt 1/2"-13x2,5"	1	
11	P5030991205	Pipe I	1	
12	P5030991206	Pipe II	1	
13	P5030991207	Pipe III	1	
14	P5030991208	Pipe IV	1	
15	P5030991209	Steering motor	1	
16	P5030991210	Oring 15,3x2,4	6	
17	P5030991211	Connector	4	
19	P5030991213	Hydraulic conduit	2	
20	P5030991214	Hydraulic conduit	2	
22	P5030991215	Locknut	2	
23	P5030991216	Elbow connector	1	
24	P5030991217	Hydraulic conduit	1	
25	P5030991218	Hydraulic conduit	1	
26	P5030991219	Connector	1	



Item	Part No	Part Name	Qty.	Remarks
1	P5030991220	Oil reservoir	1	
2	P5030991221	Cover	1	
3	P5030991222	Pressure valve	1	
4	P5030991223	Filler plug assy	1	
5	P5030991224	Oil filter assy	1	
6	P5030991225	Connector SR 105	1	
7	P5030991226	Pipe	1	
8	P5030991227	Sleeve	2	
9	P5030991228	Nut M18x1,5	2	
10	P5030991229	Seal	1	
11	P5030991230	Drain plug	1	
12	P5030991231	Seal	1	
13	P5030991232	Cu washer 18,2	1	
14	P5030991233	Cu washer 12	1	
15	P5030991234	Connector 4	1	
16	P5030991235	Locknut M18x1,5	1	
17	P5030991236	Elbow connector M18x1,5/M16x1,5	1	
18	P5030991237	Flat washer 8	6	
19	P5030991238	Locknut M8	6	
20	P5030991239	Seal	1	
21	P5030991240	Elbow connector M22x1,5	1	
22	P5030991241	Locknut M22x1,5	1	
23	P5030991242	Seal washer 22	1	
24	P5030991243	Cu washer 17	1	
25	P5030991662	Connector	1	

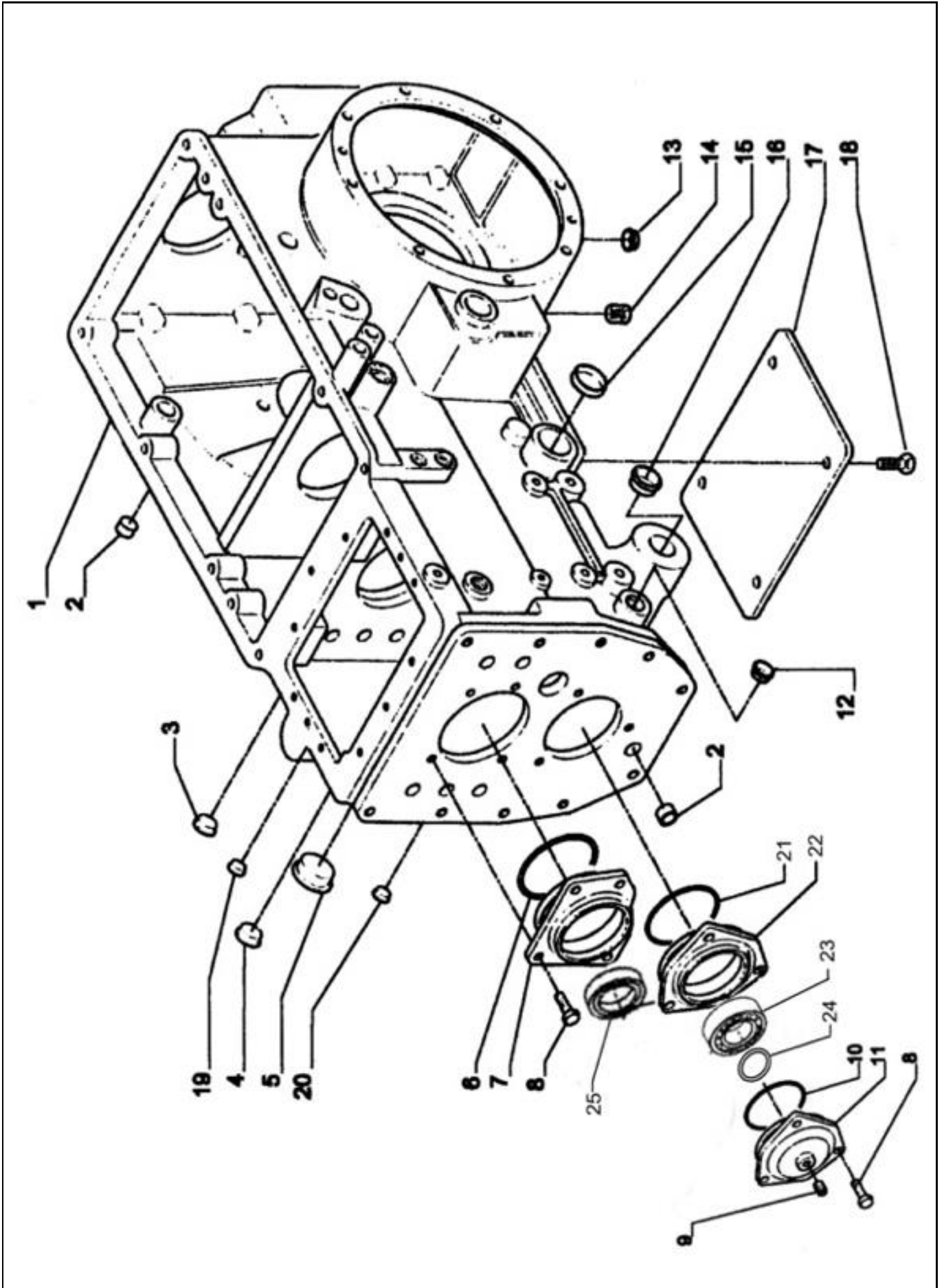


Item	Part No	Part Name	Qty.	Remarks
2	P5030991432	Spring washer 8	2	
3	P5030991433	Flat washer 8	11	
4	P5030991434	Bolt M6x35	13	
5	P5030991435	Oil filter HP-10,3	1	
6	P5030991436	Oil filter support	1	
7	P5030991437	Suction pipe	2	
8	P5030991438	Bolt M6x25	2	
9	P5030991439	Flexible tube 22	1	
10	P5030991440	Clamp	2	
11	P5030991441	Rear pipe	1	
12	P5030991442	Suction pipe rear axle-filter	1	
13	P5030991443	Oring 30x4	1	
14	P5030991444	Oring 22,4 x2,4	1	
15	P5030991445	Oring 0,139"x1,125"	2	
16	P5030991446	Oring 32,2x3	2	
17	P5030991447	Suction pipe	1	
18	P5030991448	Suction pipe(oil container-pump)	1	
19	P5030991449	Flexible pipe	1	
20	P5030991450	Clamp 12-22	2	
21	P5030991451	Ring 15	1	
22	P5030991452	Flexible connector Ø30xØ38x70	1	
23	P5030991453	Clamp 30-45	2	
24	P5030991454	Pipe	1	
26	P5030991455	Support	1	
27	P5030991456	Connector M18x1,5/ 3/4"-16UNF	1	
28	P5030991457	Pipe	1	
29	P5030991458	Hydraulic nut M18x1,5	2	
30	P5030991459	Ring Dz-12	2	
31	P5030991460	Support	1	
32	P5030991461	Oring 15,3x2,4	2	
33	P5030991462	Hydraulic pipe	1	
34	P5030991463	Support	1	
35	P5030991464	hydraulic nut M22x1,5	1	
36	P5030991465	Filter head	1	
37	P5030991663	Flat washer 6	6	
38	P5030991664	Bolt M8x40	2	
39	P5030991665	Bolt M6x16	2	
40	P5030991666	Bolt M8x20	3	
41	P5030991667	Bolt M10x25	1	
42	P5030991668	Flat washer 10	1	
43	P5030991669	Flat washer 12	1	
44	P5030991670	Bolt M12x30	1	



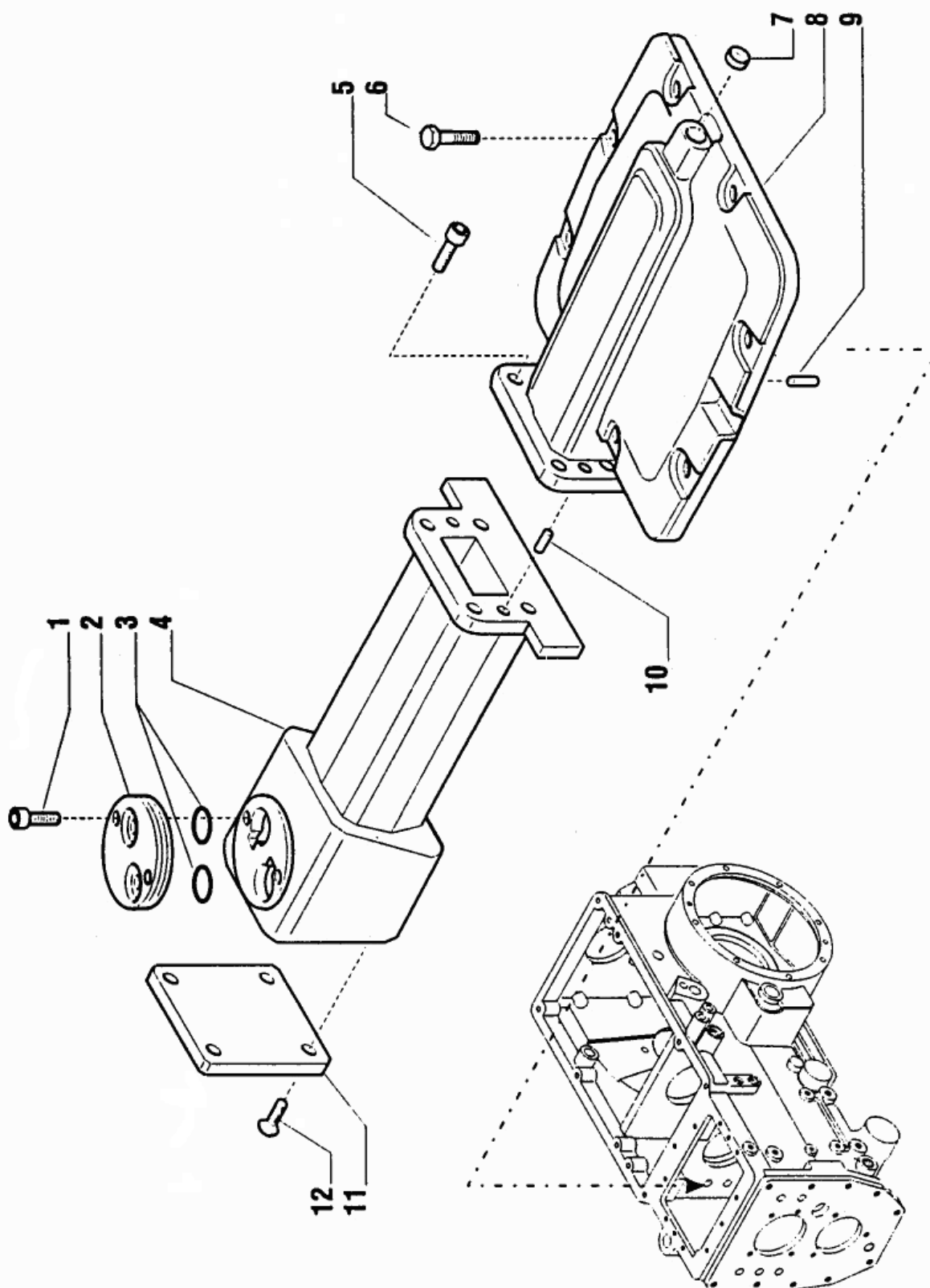
Cluth shafts**03.10.026**

Item	Part No	Part Name	Qty.	Remarks
1	P5031000387	SEAL OIL	1	
2	P5031000388	BUSH	1	
3	P5031000389	KIT TRANSMISSION SHAFT (CARRARO)	1	
3	P5031000390	KIT SHAFT TRANSMISSION (CARRARO PART NO	1	
4	P5031000391	BEARING	1	
5	P5031000392	SHAFT	1	
5	P5031000393	SHAFT (CARRARO PART NO 147595)	1	

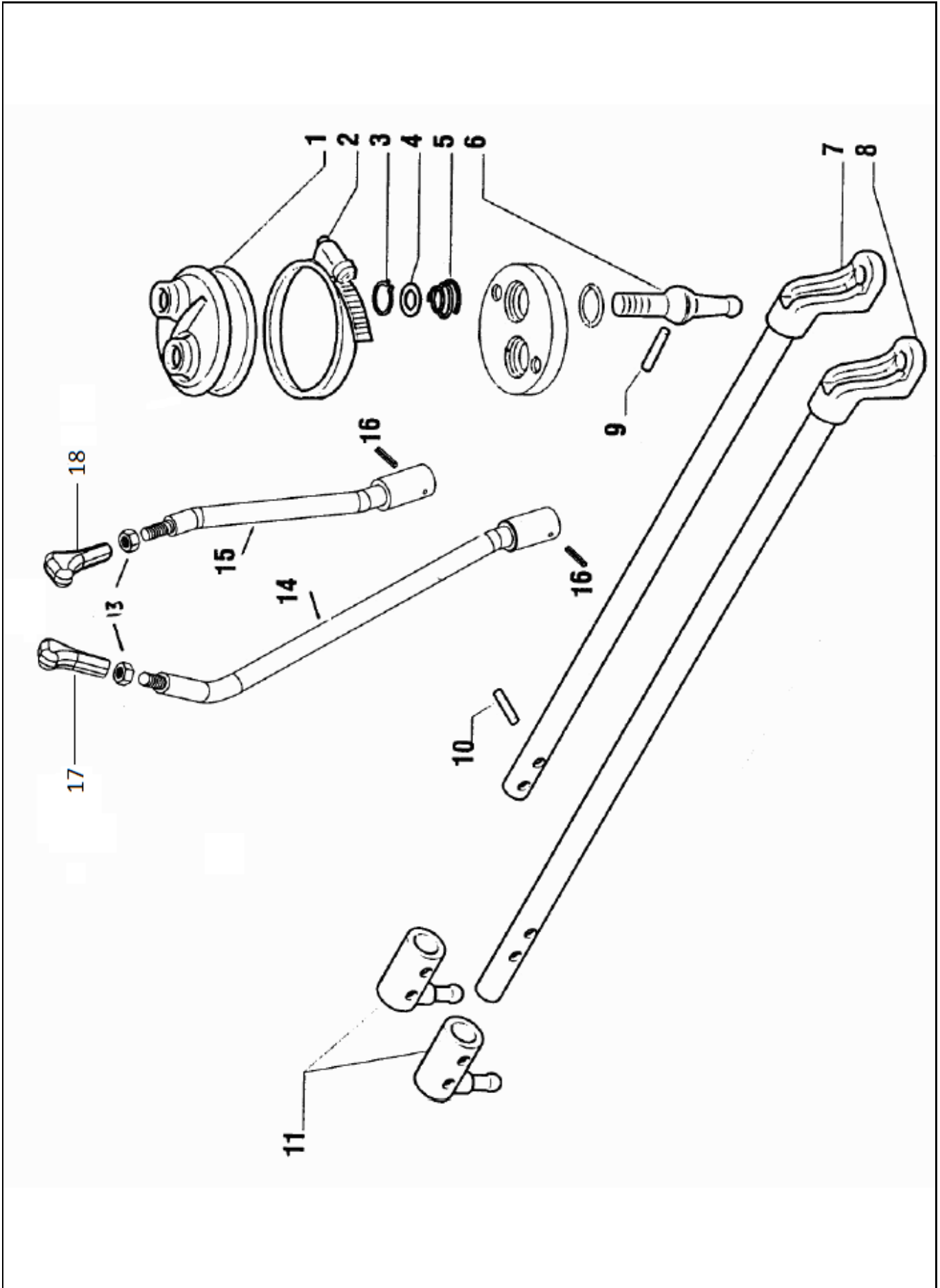


Gear box housing**03.10.028**

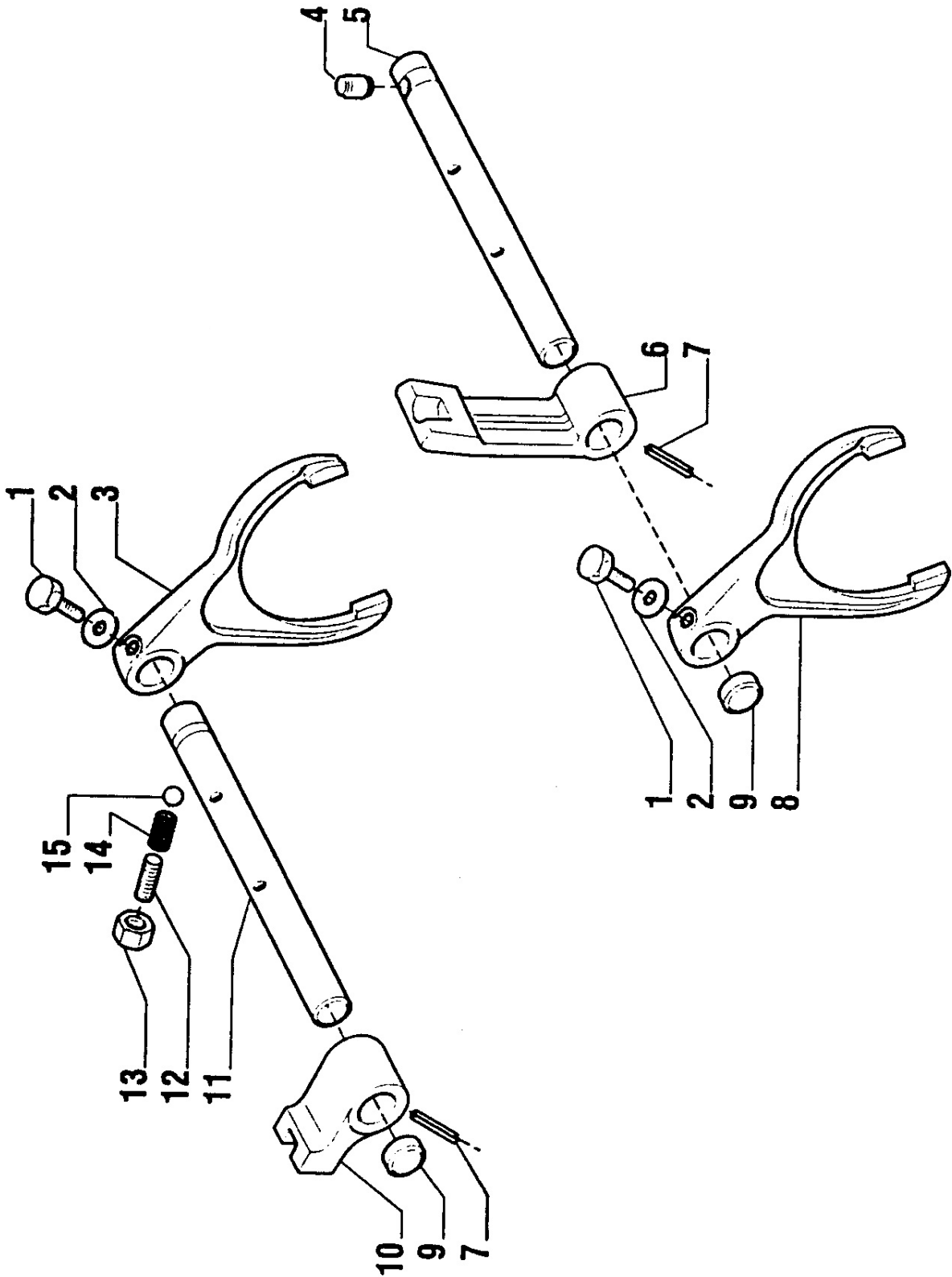
Item	Part No	Part Name	Qty.	Remarks
1	P5031000394	KIT HOUSING GEAR BOX (CARRARO PART NO 06	1	
2	P5031000395	PLUG D2035	2	
3	P5031000396	PLUG D155	3	
4	P5031000397	PLUG D205	1	
5	P5031000398	PLUG DIA 39 (CARRARO PART NO 030776)	1	
6	P5031000399	SEAL O RING	1	
7	P5031000400	COVER	7	
8	P5031000401	BOLT M8x1.25x30 HEX HEAD (CARRARO PART NO	1	
9	P5031000402	PLUG	1	
10	P5031000403	SEAL O RING (CARRARO PART NO 028107)	1	
11	P5031000404	COVER (CARRARO PART NO 147227)	1	
12	P5031000405	PLUG (CARRARO PART NO 021562)	1	
13	P5031000406	PLUG D145	12	
14	P5031000407	PLUG M24X1.5	1	
15	P5031000408	PLUG D39	1	
16	P5031000409	PLUG D26	4	
17	P5031000410	COVER	1	
18	P5031000411	BOLT M12x35 HEX HEAD	4	
19	P5031000412	PLUG D7	3	
20	P5031000413	PLUG D11	10	
21	P5031000414	SEAL O RING (CARRARO PART NO 028212)	1	
22	P5031000415	SPACER (CARRARO PART NO 147228)	1	
23	P5031000416	BEARING (CARRARO PART NO 026187)	1	
24	P5031000417	RING SNAP (CARRARO PART NO 025024)	1	
25	P5031000418	SEAL O RING (CARRARO PART NO 025542)	1	



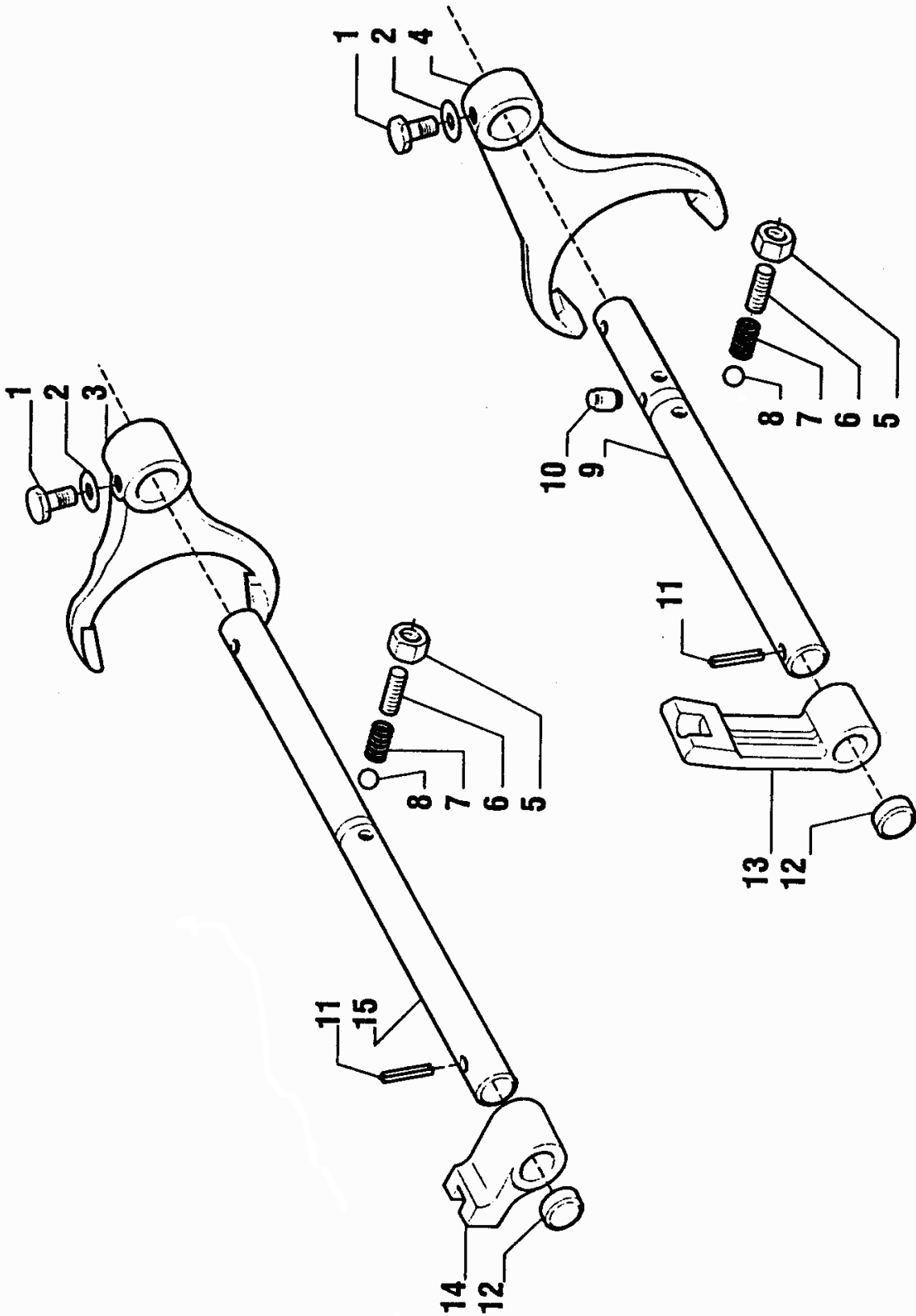
Item	Part No	Part Name	Qty.	Remarks
1	P5031000419	SCREW M8X16	2	
2	P5031000420	COVER	1	
3	P5031000421	SEAL O RING	2	
4	P5031000422	LEVER SUPPORT	1	
5	P5031000423	SCREW M8X25	4	
6	P5031000424	BOLT M10x1.50x25-9.8 HEX HEAD	8	
7	P5031000425	PLUG	1	
8	P5031000426	COVER	1	
9	P5031000427	PIN	2	
10	P5031000428	PIN	2	
11	P5031000429	COVER	1	
12	P5031000430	BOLT M6X12	4	



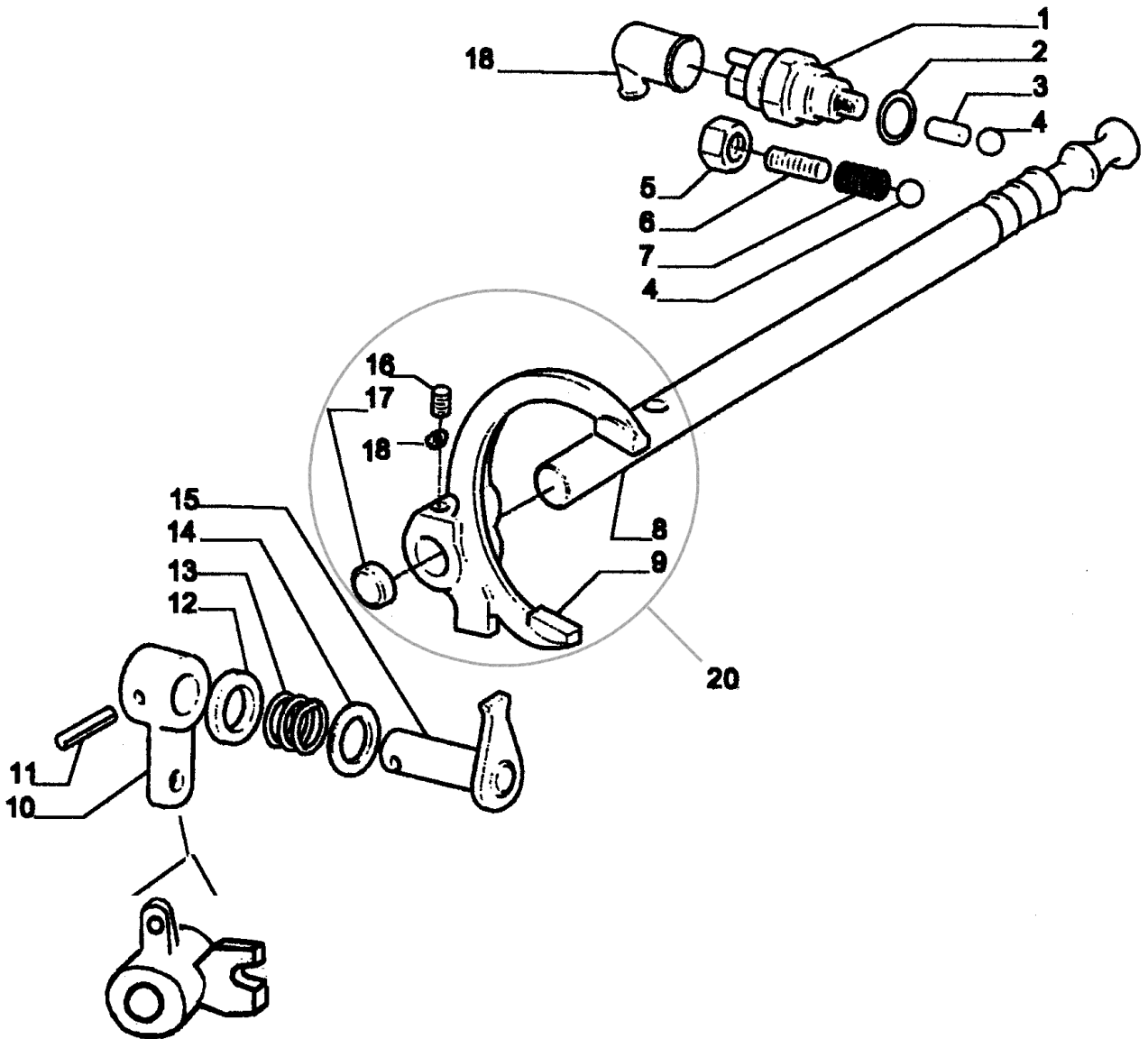
Item	Part No	Part Name	Qty.	Remarks
1	P5031000431	BOOT (CARRARO PART NO 146026)	1	
2	P5031000432	CLAMP HOSE	1	
3	P5031000433	RING SNAP D16	2	
4	P5031000434	SHIM 26x165x1	2	
5	P5031000435	SPRING	2	
6	P5031000436	LEVER	2	
7	P5031000437	INNER ROD	1	
8	P5031000438	ROD INNER	1	
9	P5031000439	PIN	2	
10	P5031000440	PIN 6X25 COTTER	4	
11	P5031000441	LEVER INNER	2	
13	P5031000443	NUT M10x1.00 HEX	2	
14	P5031000444	LEVER AND HUB ASSEMBLY TRANSMISSION	1	
15	P5031000445	LEVER AND HUB ASSEMBLY TRANSMISSION GEA	1	
16	P5031000446	PIN 6x25 SPRING DOWEL	2	
17	P5031091671	KNOB GEAR SHIFT LEVER	1	
18	P5031091672	KNOB TRANSMISSION GEAR SHIFT LEVER	1	



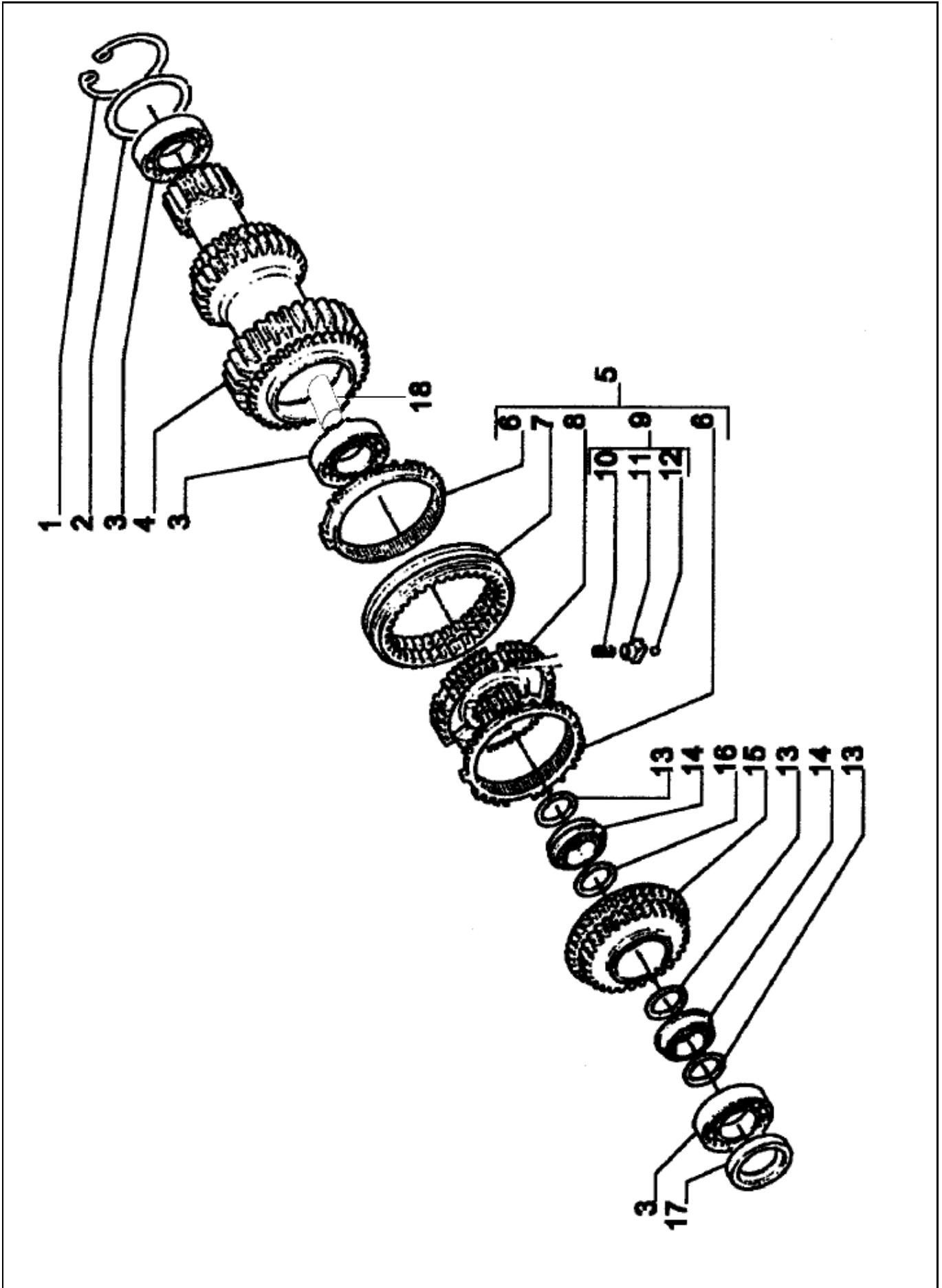
Item	Part No	Part Name	Qty.	Remarks
1	P5031000472	BOLT	2	
2	P5031000473	WASHER	2	
3	P5031000474	FORK 1-2	1	
4	P5031000475	PIN LOCK	1	
5	P5031000476	ROD	1	
6	P5031000477	BLOCK	1	
7	P5031000478	PIN	2	
8	P5031000479	FORK 3-4	1	
9	P5031000480	PLUG D2035	2	
10	P5031000481	BLOCK	1	
11	P5031000482	ROD	1	
12	P5031000483	GRUB SVREW M12X25	2	
13	P5031000484	NUT M.12	2	
14	P5031000485	SPRING	2	
15	P5031000486	BALL	2	



Item	Part No	Part Name	Qty.	Remarks
1	P5031000487	BOLT	2	
2	P5031000488	WASHER	2	
3	P5031000489	FORK	1	
4	P5031000490	FORK	1	
5	P5031000491	NUT M.12	2	
6	P5031000492	GRUB SVREW M12X25	2	
7	P5031000493	SPRING	2	
8	P5031000494	BALL	2	
9	P5031000495	ROD	1	
10	P5031000496	PIN LOCK	1	
11	P5031000497	PIN	2	
12	P5031000498	PLUG D2035	2	
13	P5031000499	BLOCK	1	
14	P5031000500	BLOCK	1	
15	P5031000501	ROD	1	

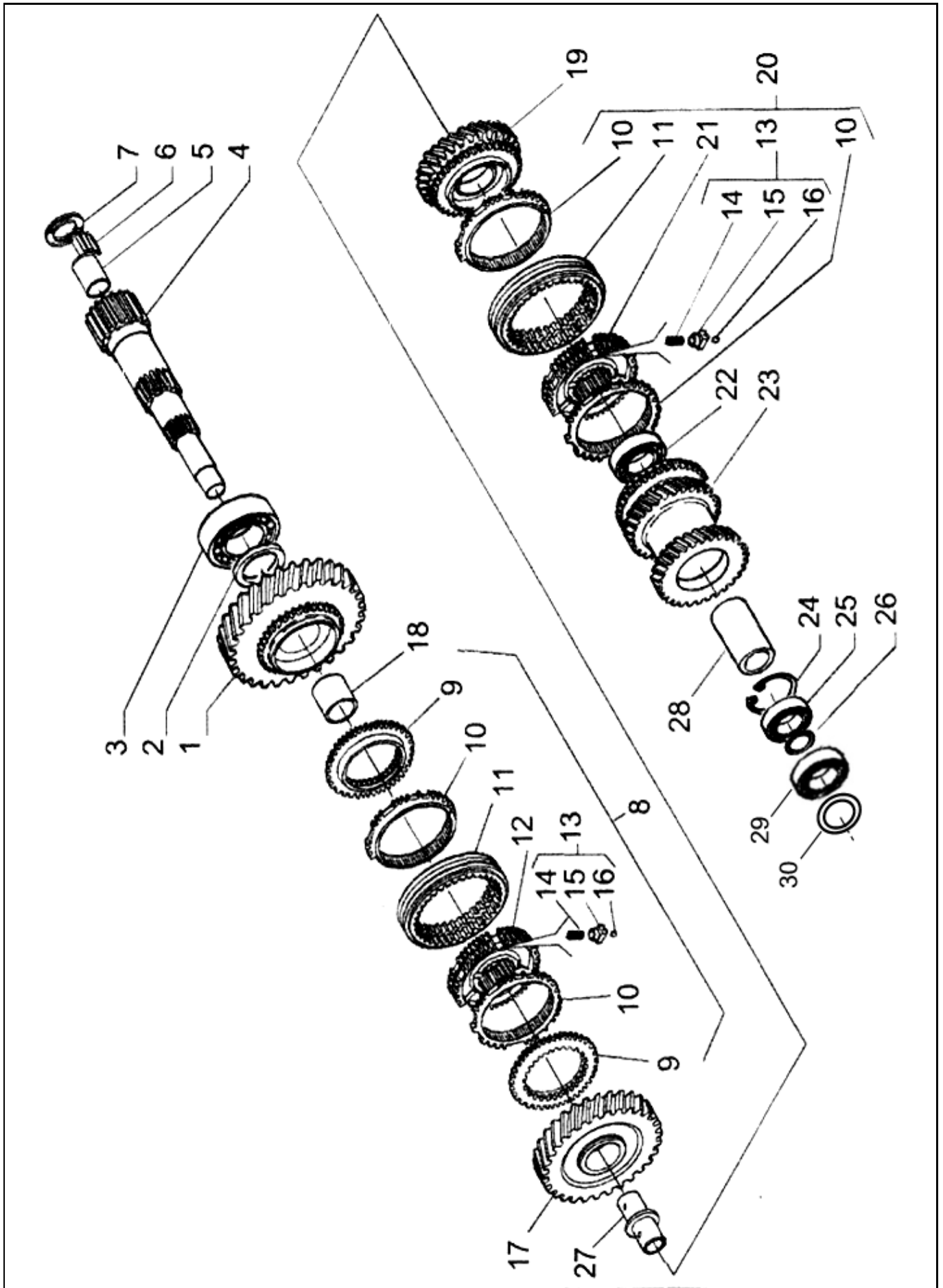


Item	Part No	Part Name	Qty.	Remarks
1	P5031000502	SENSOR	1	
2	P5031000503	WASHER	1	
3	P5031000504	PIN D9X17	1	
4	P5031000505	BALL 028271	2	
5	P5031000506	NUT M.12	1	
6	P5031000507	GRUB SVREW M12X25	1	
7	P5031000508	SPRING	1	
8	P5031000509	ROD (CARRARO PART NO 142422)	1	
9	P5031000510	FORK	1	
10	P5031000511	LEVER AND HUB ASSEMBLY FORWARD REVERS	1	
11	P5031000512	SPLIT PIN	1	
12	P5031000513	SEAL OIL	1	
13	P5031000514	SPRING	1	
14	P5031000515	WASHER	1	
15	P5031000516	LEVER	1	
16	P5031000517	BOLT	1	
17	P5031000518	PLUG D2035	1	
18	P5031000519	WASHER	1	
19	P5031000520	LEVER AND HUB ASSEMBLY FORWARD REVERS	1	
20	P5031091673	Reverser inner controls repair kit	1	



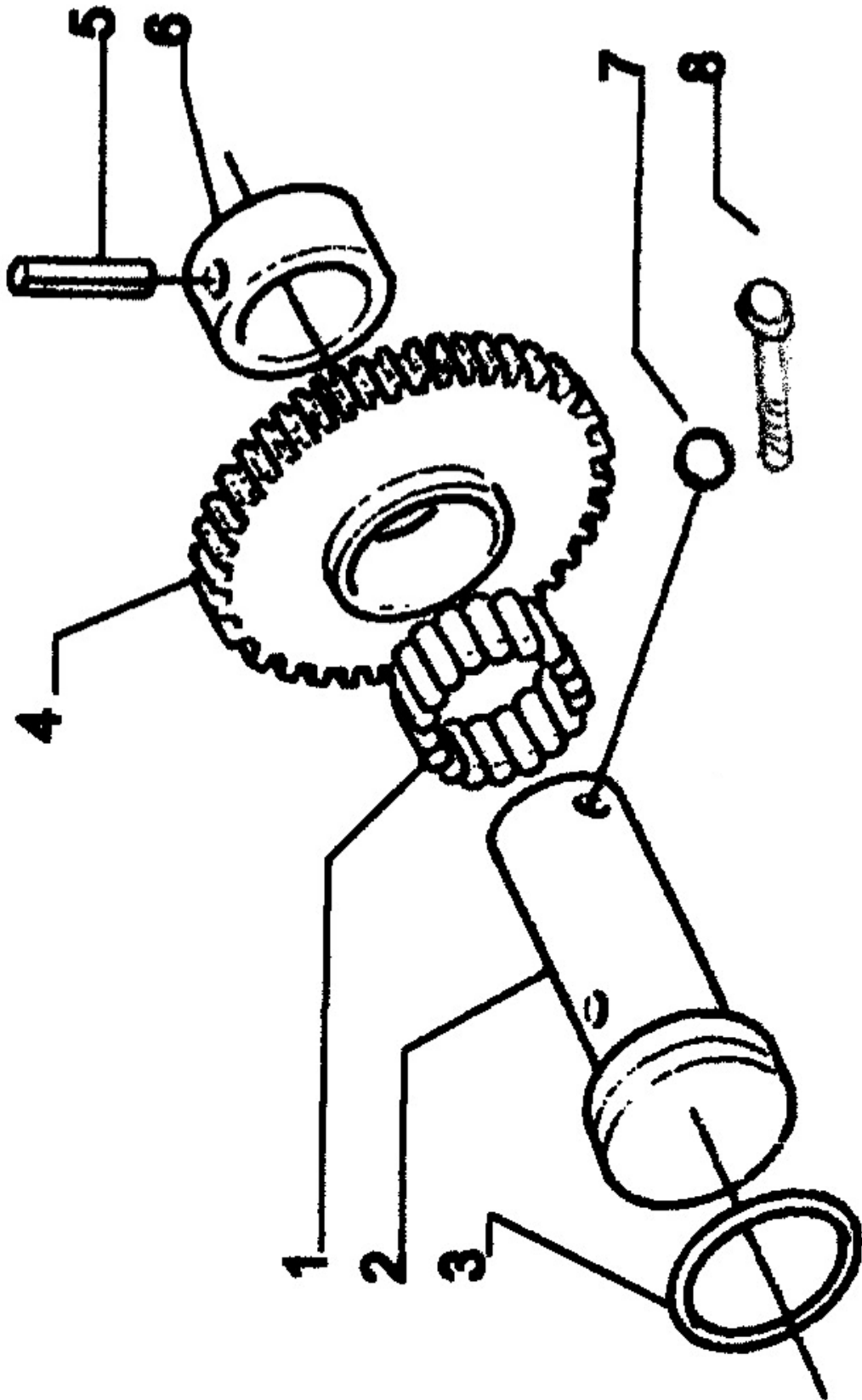
Primary shaft**03.10.036**

Item	Part No	Part Name	Qty.	Remarks
1	P5031000521	RING SNAP	1	
2	P5031000522	SHIM 1.0MM	AR	Wg potrzeb
2	P5031000523	SHIM 3.0MM	AR	Wg potrzeb
3	P5031000524	BEARING	3	
4	P5031000525	SHAFT PRIMARY	1	
5	P5031000526	KIT SYNCHRONIZER	1	
6	P5031000527	RING SYNCHRONIZER	2	
7	P5031000528	SLEEVE	1	
8	P5031000529	HUB	1	
9	P5031000530	KIT SPRING (CIL - 046331)	3	
10	P5031000531	SPRING	3	
11	P5031000532	PAD	3	
12	P5031000533	BALL	3	
13	P5031000534	SHIM 0.5 MM	1	
14	P5031000535	BEARING	2	
15	P5031000536	GEAR Z26	1	
16	P5031000537	SHIM 0.5. MM	AR	Wg potrzeb
16	P5031000538	SHIM 0.3.0MM	AR	Wg potrzeb
16	P5031000539	SHIM 0.1.MM	AR	Wg potrzeb
17	P5031000540	Seal oil	1	
2	P5031000541	SHIM 0.05MM	AR	Wg potrzeb
18	P5031091674	SLEEVE	1	
13	P5031091675	SHIM 0.3 MM	1	
13	P5031091676	SHIM 0.1 MM	1	



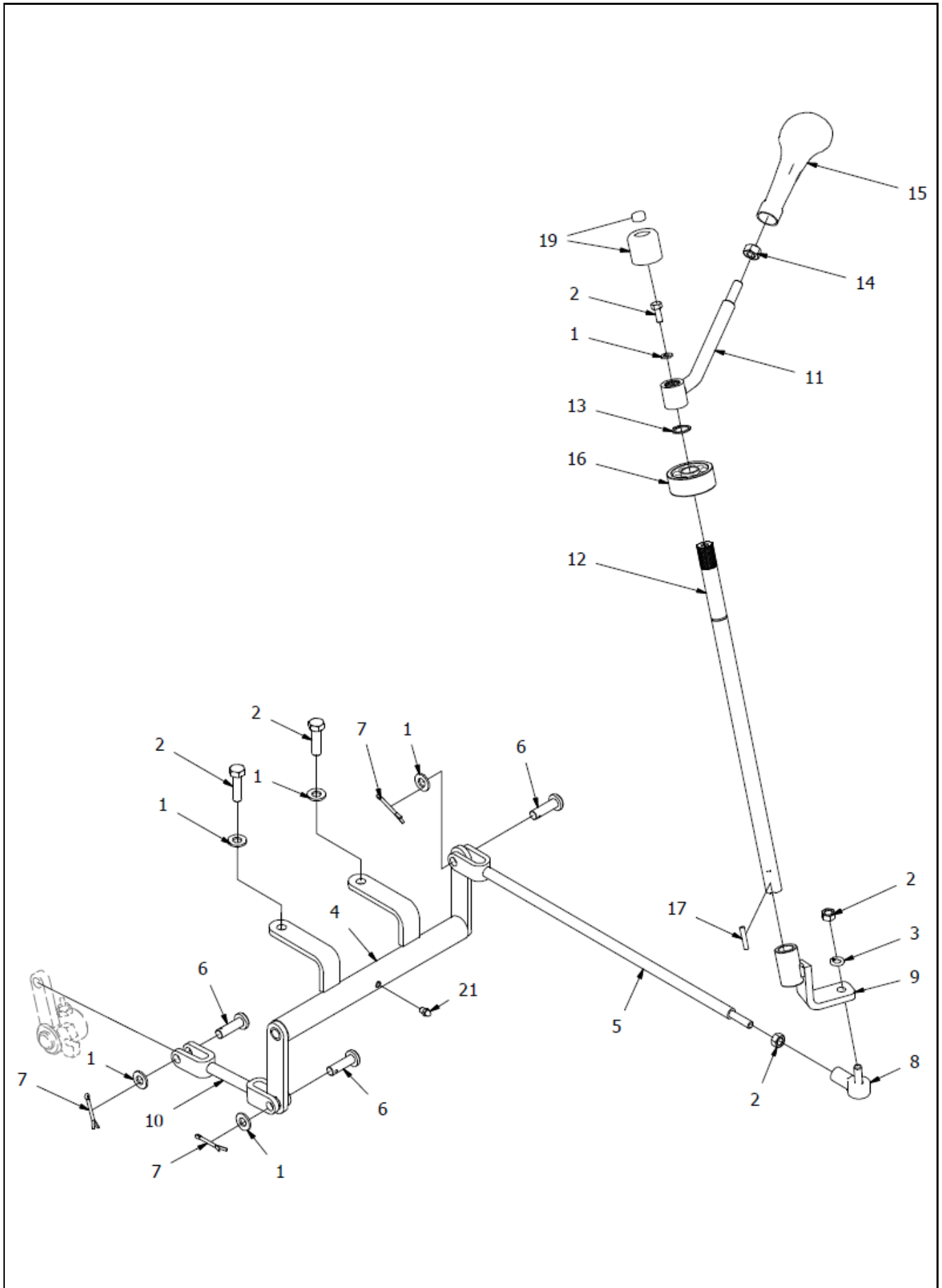
Secondary shaft**03.10.037**

Item	Part No	Part Name	Qty.	Remarks
1	P5031000542	Gear Z-55	1	
2	P5031000543	SPACER	1	
3	P5031000544	BEARING	1	
4	P5031000545	SHAFT SECENDORY Z-27	1	
5	P5031000546	BUSH	1	
6	P5031000547	BEARING NEDLES	19	
7	P5031000548	WASHER THRUST	1	
8	P5031000549	KIT SYCHRONIZER	1	
9	P5031000550	RING	2	
10	P5031000551	Ring	4	
11	P5031000552	SLEEVE	2	
12	P5031000553	HUB	1	
13	P5031000554	KIT SPRING (CIL - 046331)	6	
14	P5031000555	SPRING	6	
15	P5031000556	PAD	6	
16	P5031000557	BALL	6	
17	P5031000558	GEAR Z49	1	
18	P5031000559	SPACER	1	
19	P5031000560	Gear Z-43	1	
21	P5031000561	KIT SYCHRONIZER	1	
20	P5031000562	HUB	1	
22	P5031000563	BEARING	1	
23	P5031000564	GEAR Z-36/36	1	
24	P5031000565	RING SNAP	1	
25	P5031000566	BEARING	1	
27	P5031000567	SLEEVE 2/3"	1	
26	P5031091639	Shim 0.1mm	1	
26	P5031091640	Shim 0.15mm	1	
26	P5031091641	Shim 0.2mm	1	
26	P5031091677	Shim 0.5mm	1	
28	P5031091678	SLEEVE	1	



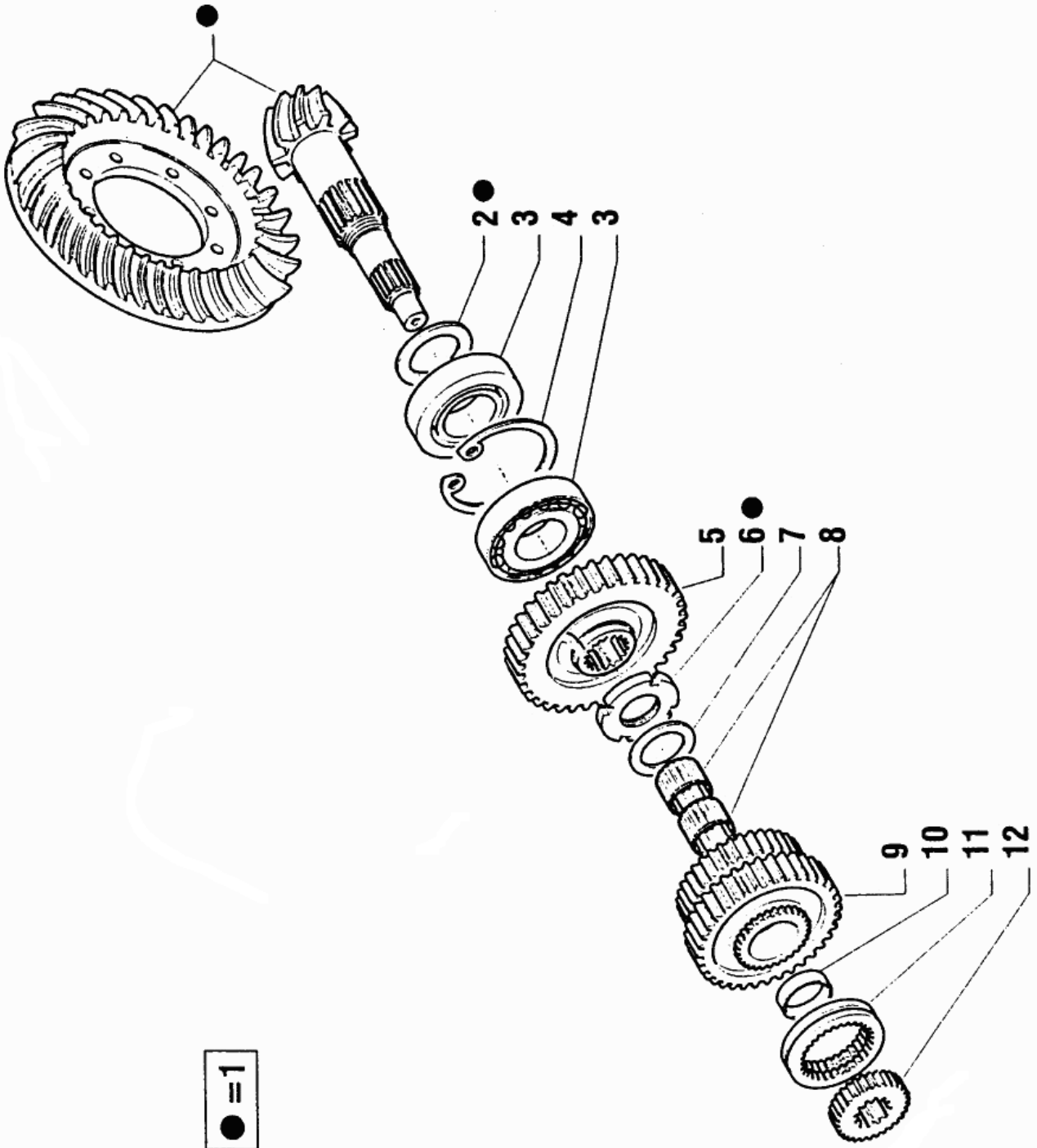
Reverse gear**03.10.038**

Item	Part No	Part Name	Qty.	Remarks
1	P5031000572	BEARING NEEDLES	1	
2	P5031000573	SHAFT	1	
3	P5031000574	O RING	1	
4	P5031000575	GEAR Z27 (CARRARO PART NO 141168)	1	
5	P5031000576	PIN COTTER	1	
6	P5031000577	BUSH (CARRARO PART NO 141171)	1	
7	P5031000578	Washer	1	
8	P5031000579	SCREW M12X47	1	

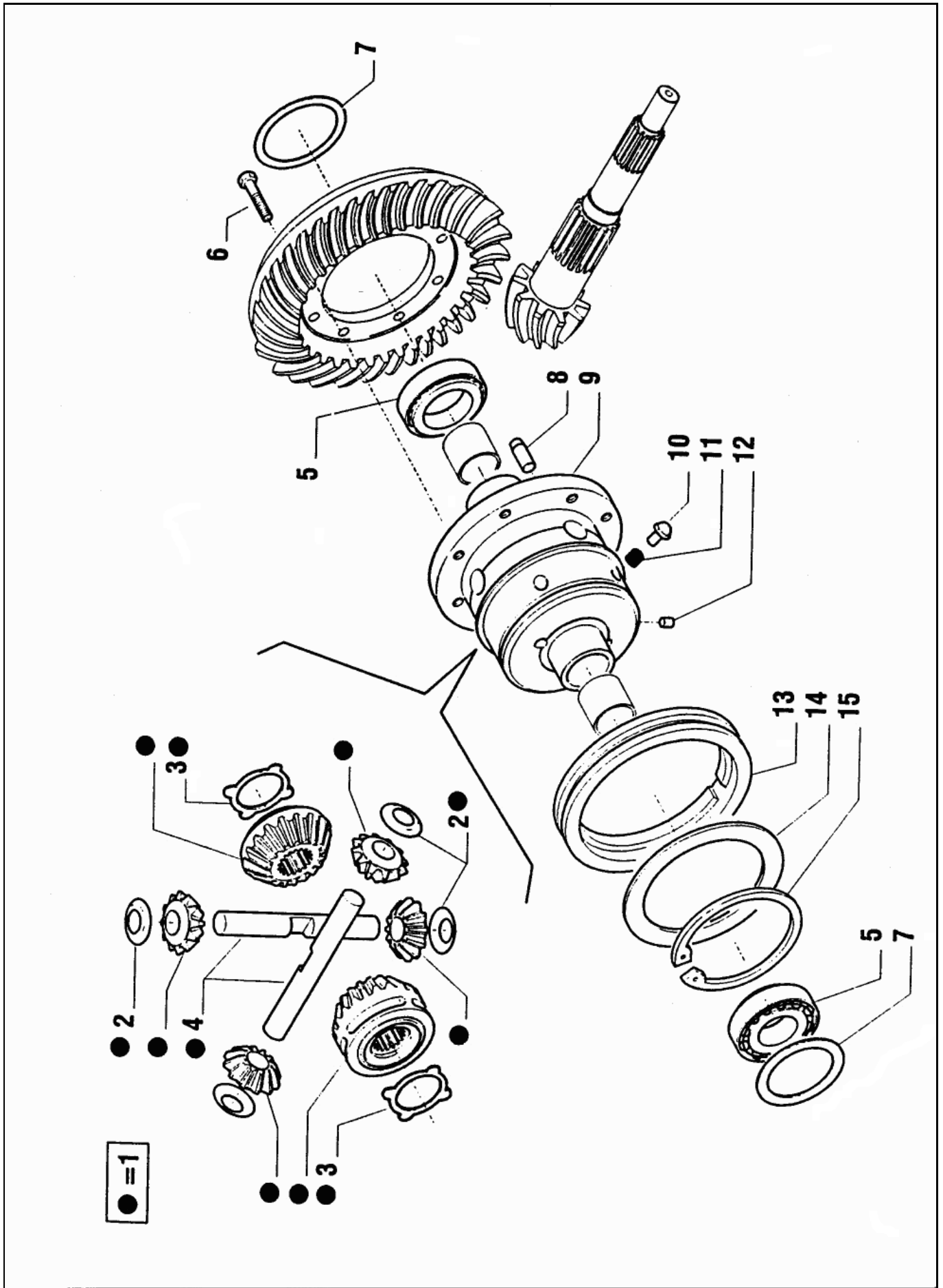


Revers outer controls**03.10.179**

Item	Part No	Part Name	Qty.	Remarks
1	P5031091485	Flat washer 6	6	
2	P5031091486	Bolt M6x16	5	
3	P5031091487	Spring washer 8	1	
4	P5031091488	Reverser lever assy	1	
5	P5031091489	Reverser long	1	
6	P5031091490	Pin 10x36	3	
7	P5031091491	Cotter pin 3,2x32	3	
8	P5031091492	Joint M8x1,25	1	
9	P5031091493	Column lever	1	
10	P5031091494	Rod	1	
11	P5031091495	Lever assy	1	
12	P5031091496	Column	1	
13	P5031091497	Circlip Z16	1	
14	P5031091498	Bolt M10x1	1	
15	P5031091499	Knob	1	
16	P5031091500	Bearing	1	
19	P5031091501	Housing	1	
20	P5031091502	Housing	1	
21	P5031091503	Grease nipple	1	
22	P5031091679	Flat washer 10	3	
23	P5031091680	Bolt M10x35	2	
24	P5031091681	Spring washer 10	2	
25	P5031091682	Flat washer 8	1	

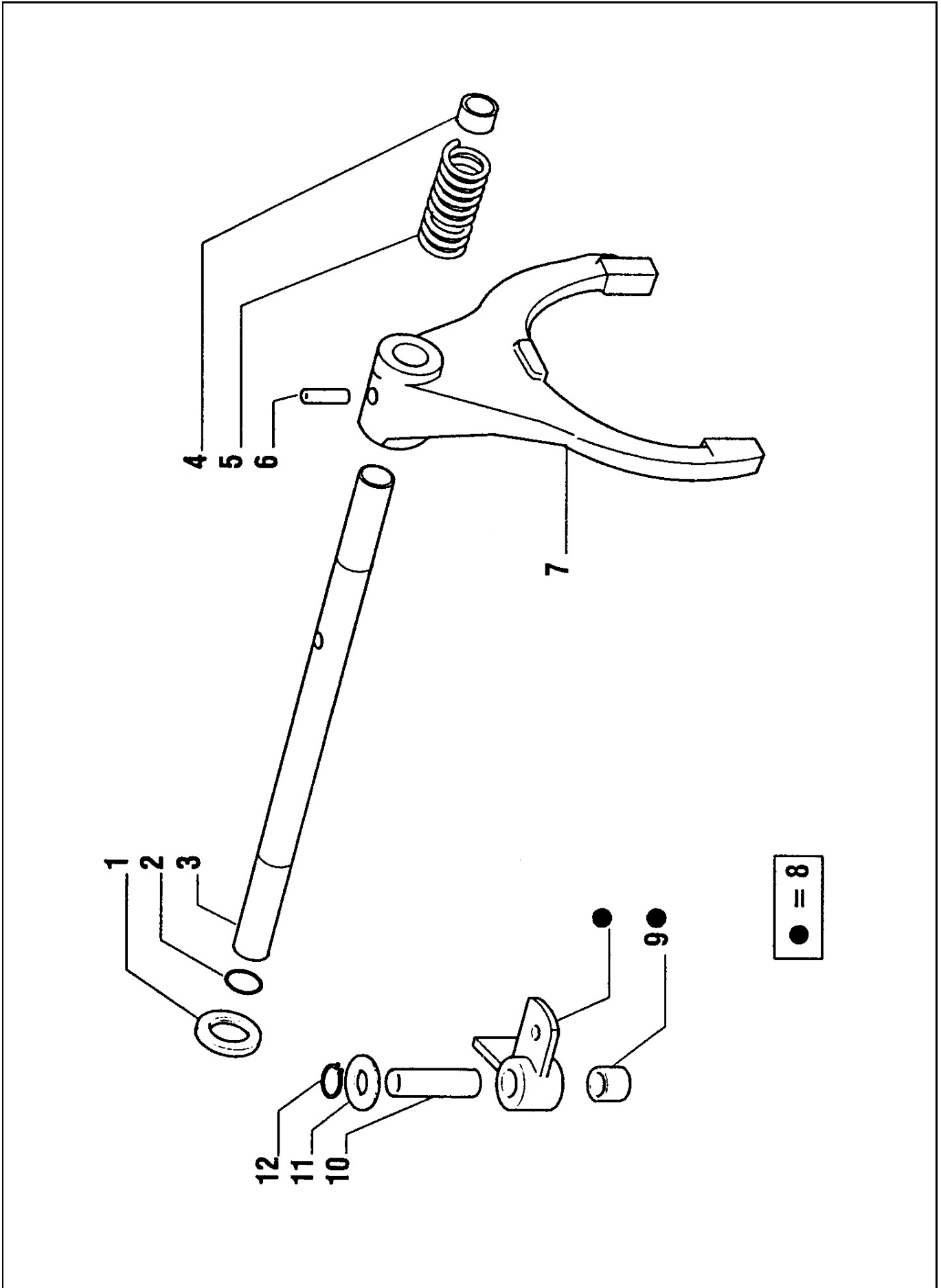


Item	Part No	Part Name	Qty.	Remarks
1	P5031100580	SET FINAL DRIVE REDUCTION GEARS (Z-12/38) (C	1	
3	P5031100581	Bearing	2	
4	P5031100582	Snap ring	1	
5	P5031100583	Gear Z-52	1	
6	P5031100584	RING NUT M45X15	1	
7	P5031100585	WASHER THRUST	1	
8	P5031100586	BEARING NEEDLES	2	
9	P5031100587	GEAR Z34/26 (CARRARO PART NO 144291)	1	
10	P5031100588	SPACER	1	
11	P5031100589	COLLAR	1	
12	P5031100590	CLUTCH CENTRAL	1	
2	P5031100591	SHIM 250mm	4	
2	P5031100592	SHIM 260mm	AR	Wg potrzeb
2	P5031100593	SHIM 270mm	AR	Wg potrzeb
2	P5031100594	SHIM 280mm	AR	Wg potrzeb
2	P5031100595	SHIM 290mm	AR	Wg potrzeb
2	P5031100596	SHIM 300mm	AR	Wg potrzeb
2	P5031100597	SHIM 310mm	AR	Wg potrzeb
2	P5031100598	SHIM 320mm	AR	Wg potrzeb
2	P5031100599	SHIM 330mm	AR	Wg potrzeb
2	P5031100600	SHIM 340mm	AR	
2	P5031100601	SHIM 350mm	AR	



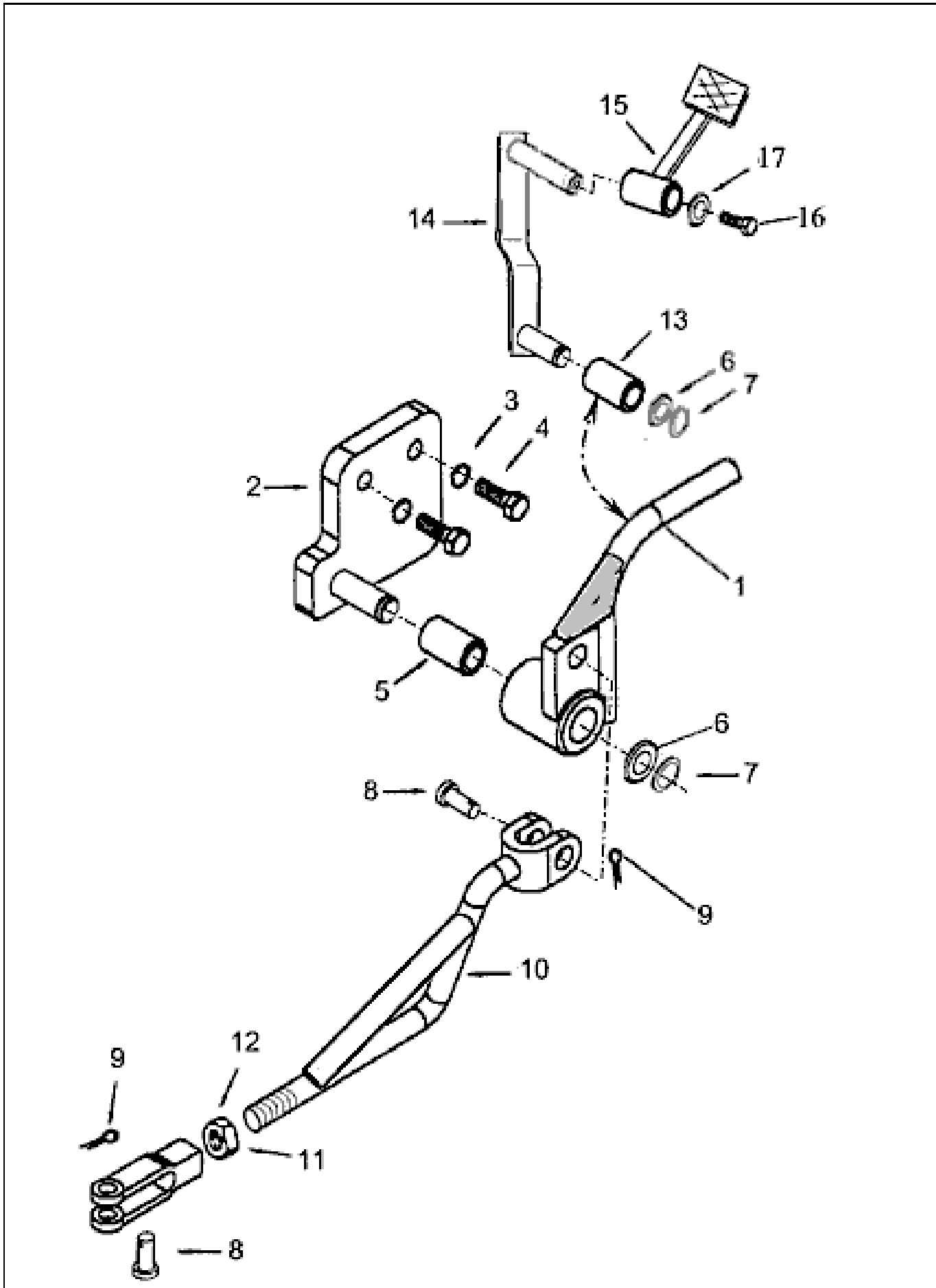
Differential rear**03.11.040**

Item	Part No	Part Name	Qty.	Remarks
1	P5031100602	KIT DIFFERENTIAL (CARRARO PART NO 068293)	1	
2	P5031100603	WASHER THRUST	4	
3	P5031100604	WASHER THRUST	2	
4	P5031100605	SHAFT (CARRARO PART NO 149704)	2	
5	P5031100606	BEARING	2	
6	P5031100607	BOLT M12X80	8	
7	P5031100608	SHIM 01MM	AR	Wg potrzeb
7	P5031100609	SHIM 03MM	AR	Wg potrzeb
7	P5031100610	SHIM 05MM	AR	Wg potrzeb
7	P5031100611	SHIM 005MM	AR	Wg potrzeb
8	P5031100612	PIN DOWEL (CIL - 070783)	1	
9	P5031100613	BOX DIFFERENTIAL	1	
10	P5031100614	PIN	4	
11	P5031100615	SPRING	4	
12	P5031100616	PIN	1	
13	P5031100617	SLEEVE	1	
14	P5031100618	FLANGE	1	
15	P5031100619	RING SNAP	1	



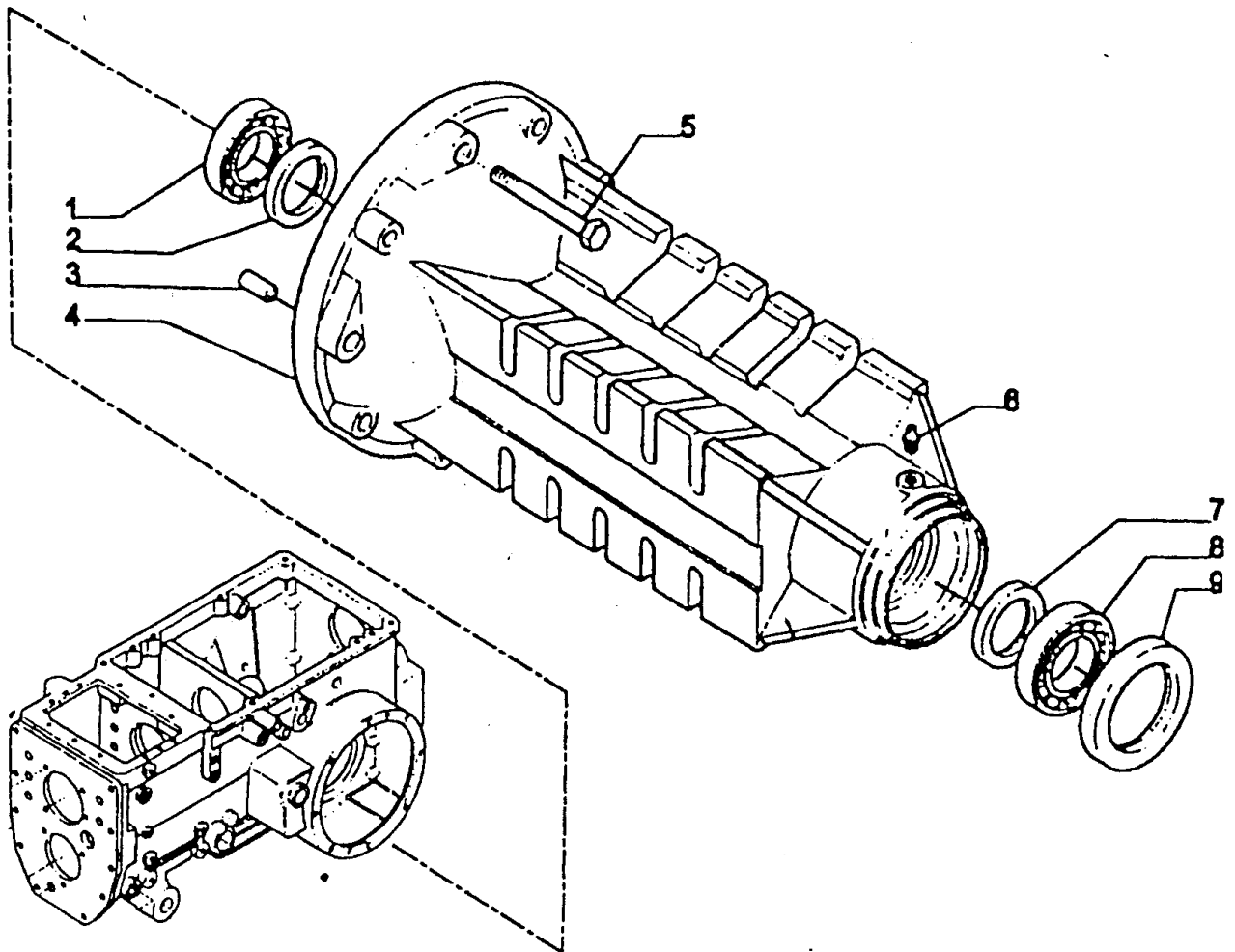
Differential lock - rear**03.11.041**

Item	Part No	Part Name	Qty.	Remarks
1	P5031100620	RING SEAL	1	
2	P5031100621	SEAL O RING	1	
3	P5031100622	DIFFERENTIAL BLOCK DRIVE	1	
4	P5031100623	PLUG D2035	1	
5	P5031100624	SPRING	1	
6	P5031100625	PIN 8x35 SPRING DOWEL	1	
7	P5031100626	DIFFERENTIAL BLOCK FORK	1	
8	P5031100627	LEVER KIT	1	
9	P5031100628	BUSH	1	
10	P5031100629	PIN 15X51	1	
11	P5031100630	WASHER 15.5x30 DIFFERENTIAL LOCK BUSH THR	1	
12	P5031100631	CIRCLIP A15x0.90 SB	1	



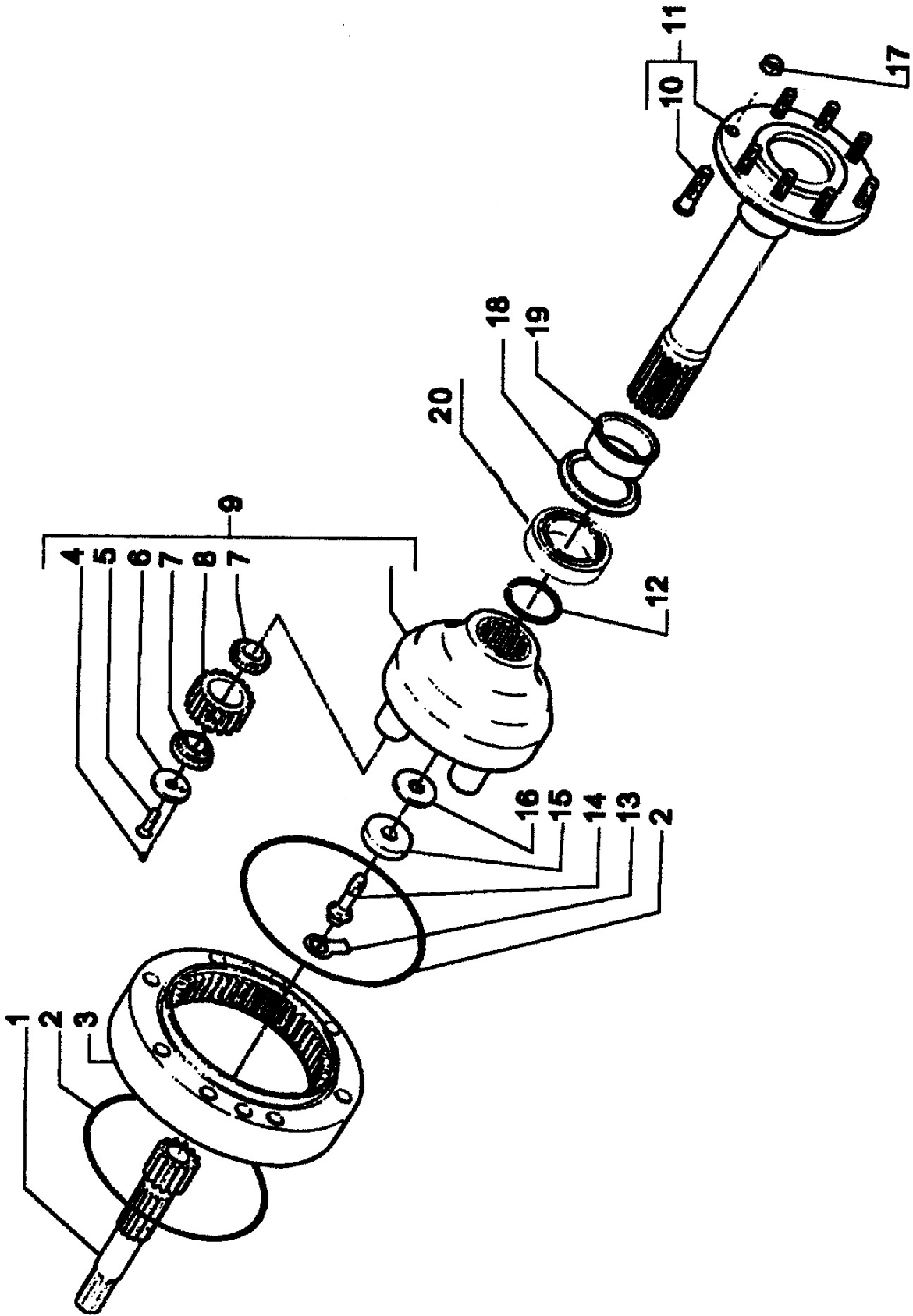
Differential lock linkage - rear**03.11.042**

Item	Part No	Part Name	Qty.	Remarks
1	P5031100632	SHANK & HUB ASSY	1	
2	P5031100633	BRACKET ASSEMBLY DIFFERENTIAL LOCK PEDA	1	
3	P5031100634	WASHER M8 8,1 Fe/Zn	2	PN-77/M-82008
4	P5031100635	BOLT M8x1.25x25-9.8 HEX HEAD	2	
5	P5031100636	BUSH	1	
6	P5031100637	WASHER 16 DIFFERENTIAL LOCK BUSH THRUST	2	PN-90/M-82004
7	P5031100638	CIRCLIP Z16	2	PN-81/M-85111
8	P5031100639	PIN 3/8"x1.14" CLEVIS	2	
9	P5031100640	PIN 1/8"x0.75" COTTER	2	PN-76/M-82001
10	P5031100641	ROD ASSEMBLY	1	
11	P5031100642	NUT M10x1.50 HEX	1	
12	P5031100643	CLEVIS 10x47.62 ADJUSTABLE	1	
13	P5031100644	BUSH	1	
14	P5031100645	Pedal rod	1	
15	P5031100646	HUB ASSY & pedal	1	
16	P5031100647	BOLT M6x15 Fe/Zn	1	PN-85/M-82105
17	P5031100648	WASHER 6,4 Fe/Zn	1	PN-78/M-82005



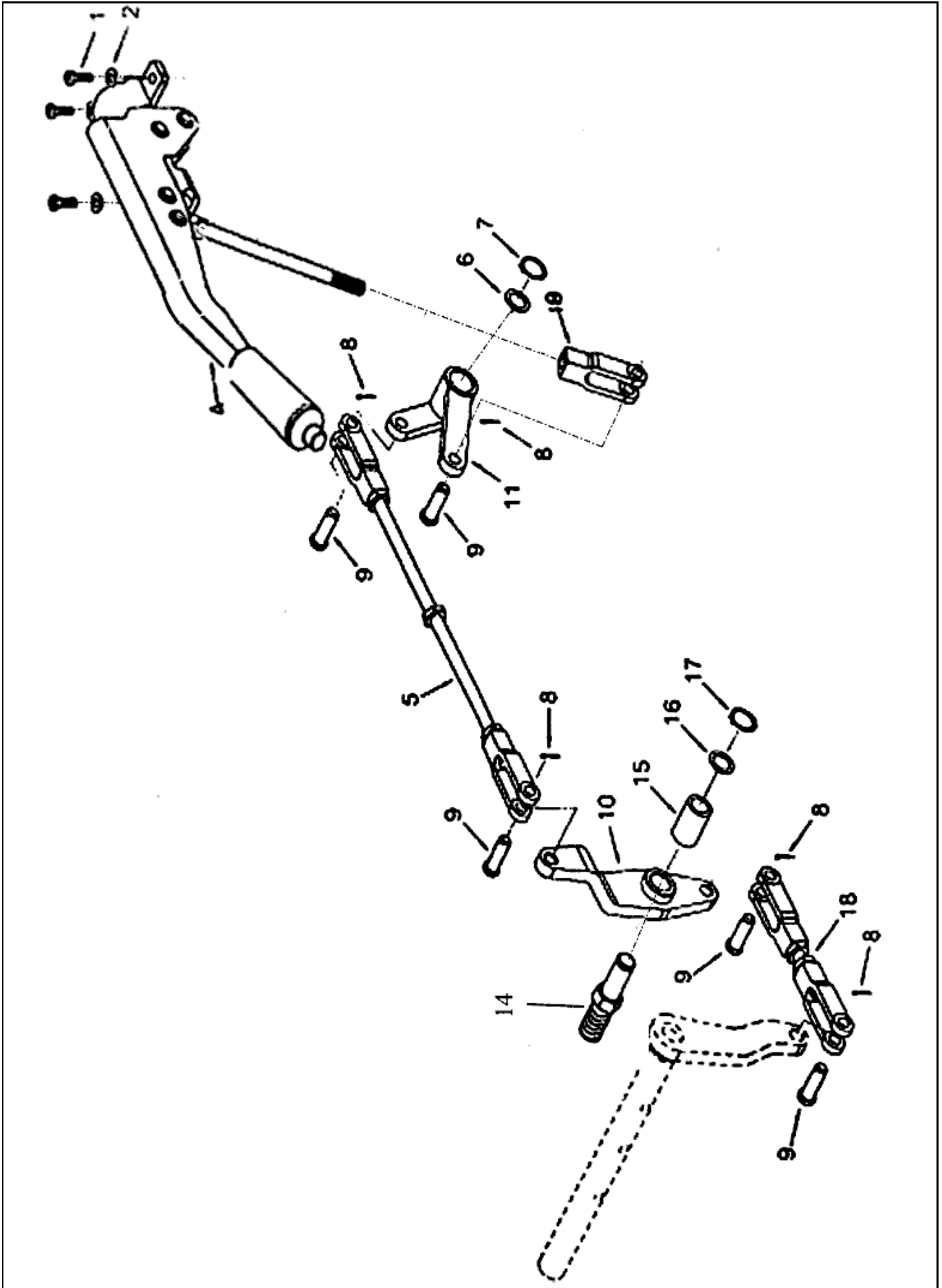
Final drive housing**03.11.043**

Item	Part No	Part Name	Qty.	Remarks
1	P5031100649	BEARING	2	
2	P5031100650	SEAL	2	
3	P5031100651	PIN D15X75	4	
4	P5031100652	KIT REAR AXLE SHAFT HOUSING (CIL - 066740)	2	
5	P5031100653	BOLT M14X100	16	
6	P5031100654	GREASE NIPPLE M8x1-45DEGREE (CARRARO PA	2	
7	P5031100655	SEAL	2	
8	P5031100656	BEARING	2	
9	P5031100657	SEAL	2	

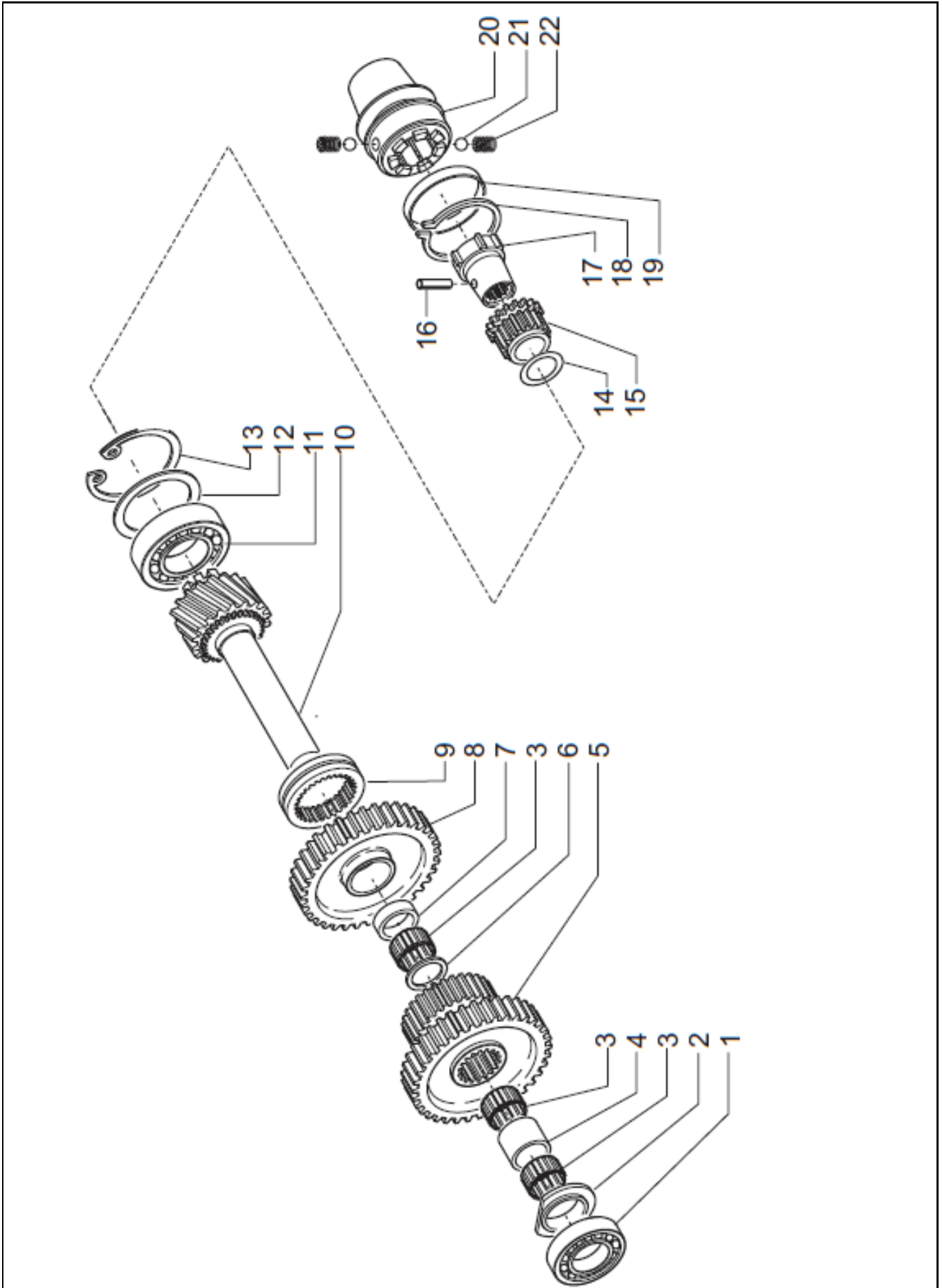


Axle shafts**03.11.044**

Item	Part No	Part Name	Qty.	Remarks
1	P5031100658	SHAFT HALF WITH GEAR	2	
2	P5031100659	SEAL O RING	6	
3	P5031100660	RING GEAR EPIC Z82	2	
4	P5031100661	WASHER (CIL - 135846)	6	
5	P5031100662	SCREW	6	
6	P5031100663	WASHER (CARRARO PART NO 135844)	6	
7	P5031100664	BEARING (CIL - 136302)	12	
8	P5031100665	GEAR EPICYCLIC (Z-33) (CIL - 135640)	6	
9	P5031100666	CARRIER ASSEMBLY PLANETARY GEAR (CIL - 066	2	
10	P5031100667	BOLT REAR WHEEL (CIL - 084911)	16	
11	P5031100668	SHAFT ASSEMBLY WHEEL (CIL - 066455)	2	
12	P5031100669	RING LOCK	2	
13	P5031100670	STOP SCREW	2	
14	P5031100671	SPECIAL BOLT M16X2	2	
15	P5031100672	WASHER	2	
16	P5031100673	SHIM 01MM	AR	Wg potrzeb
16	P5031100674	SHIM 03MM	AR	Wg potrzeb
16	P5031100675	SHIM 05MM	AR	Wg potrzeb
16	P5031100676	SHIM 005MM	AR	Wg potrzeb
17	P5031100677	NUT M18x1.50-8 HEX HEAD COLLARED (REAR WH	16	
18	P5031100678	SEAL	2	
19	P5031100679	BUSH	2	
20	P5031100680	BEARING	2	

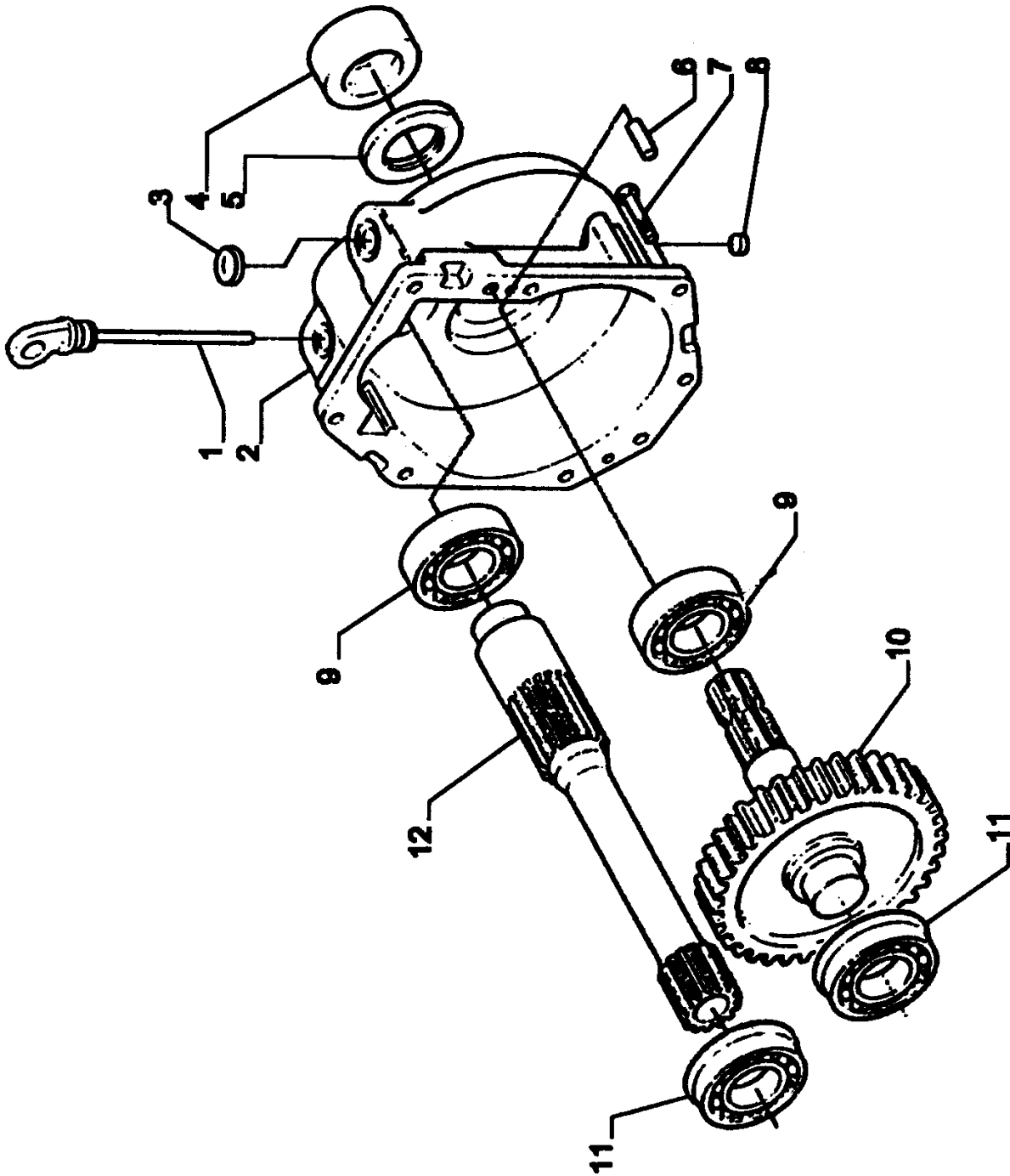


Item	Part No	Part Name	Qty.	Remarks
1	P5031200769	BOLT M6x20 Fe/Zn HEX HEAD	3	PN-85/M-82105
2	P5031200770	WASHER 6,4 FLAT	3	PN-78/M-82005
4	P5031200771	LEVER ASSEMBLY PTO CLUTCH	1	
5	P5031200772	ROD CLEVIS ASSEMBLY PTO	1	
6	P5031200773	WASHER BRAKE PEDAL CROSS SHAFT THRUST	1	
7	P5031200774	RING CLUTCH AND BRAKE CROSS SHAFT LOCK	1	
8	P5031200775	PIN 1/8"x0.75" COTTER	5	
9	P5031200776	PIN 3/8"x1.14" CLEVIS	5	
10	P5031200777	HUB LEVER ASSEMBLY	1	
11	P5031200778	LEVER PTO CLUTCH	1	
14	P5031200779	PIN PTO CLUTCH	1	
15	P5031200780	BUSH,HUB & LEVER ASSY	1	
16	P5031200781	WASHER 15.5x30 DIFFERENTIAL LOCK BUSH THR	1	
17	P5031200782	CIRCLIP A15x0.90 SB	1	
18	P5031200783	LINK ASSEMBLY PARKING BRAKE	1	
19	P5031200784	CLEVIS 10 x 47.62 ADJUSTABLE	1	

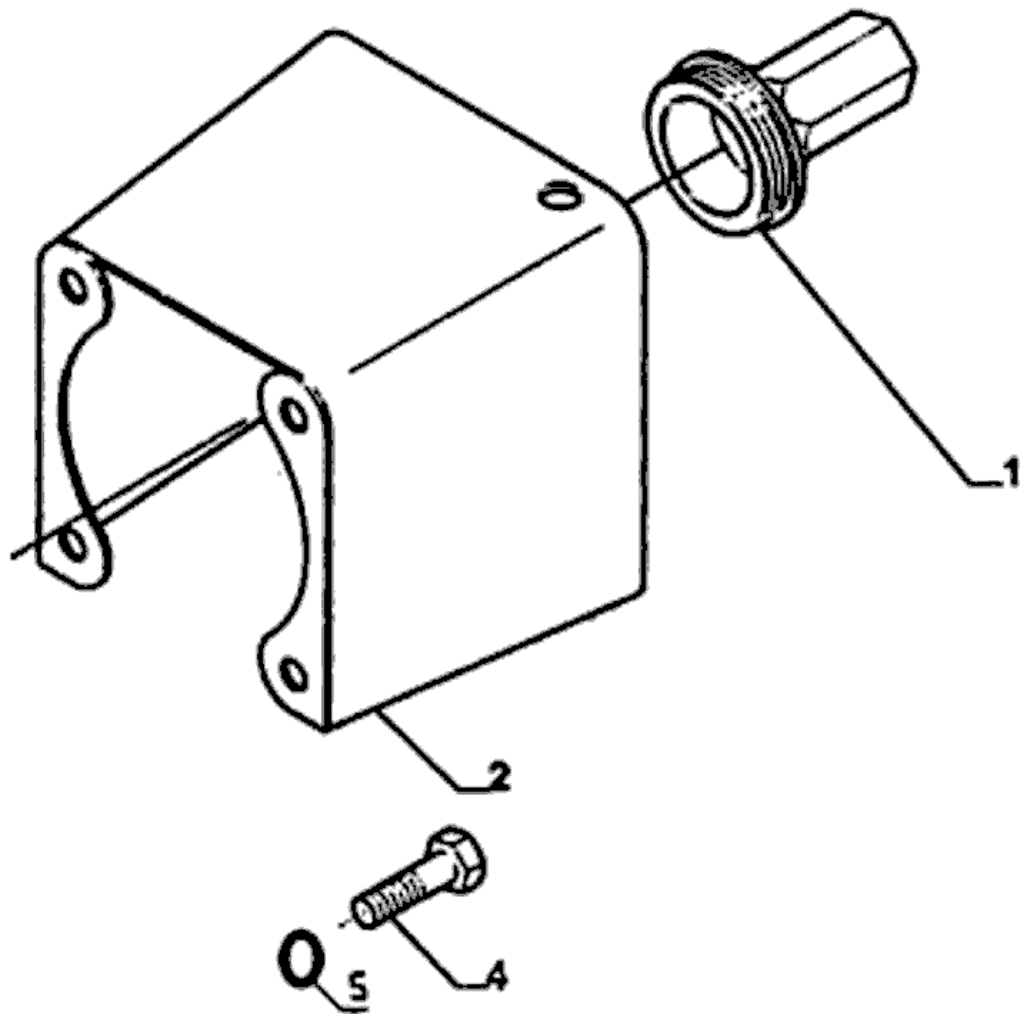


PTO inner gears & shafts**03.12.053**

Item	Part No	Part Name	Qty.	Remarks
1	P5031291683	Bearing	1	
2	P5031291684	Washer	1	
3	P5031291685	Bearing needle	1	
4	P5031291686	Spacer	1	
5	P5031291687	Gear Z52/33	1	
6	P5031291688	Spacer	1	
7	P5031291689	Spacer	1	
8	P5031291690	Gear Z44	1	
9	P5031291691	Hub	1	
10	P5031291692	Gear Z26	1	
11	P5031291693	Bearing	1	
12	P5031291694	Shim 0,1mm	1	
12	P5031291695	Shim 0,3mm	1	
12	P5031291696	Shim 0,5mm	1	
13	P5031291697	Snap ring D90	1	
14	P5031291698	Washer	1	
15	P5031291699	PTO lock ring	1	
16	P5031291700	Split pin 5x26	1	
17	P5031291701	PTO clutch	1	
18	P5031291702	Snap ring	1	
19	P5031291703	Bush	1	
20	P5031291704	PTO clutch sleeve	1	
21	P5031291705	Ball D.1/4"	2	
22	P5031291706	Spring	2	

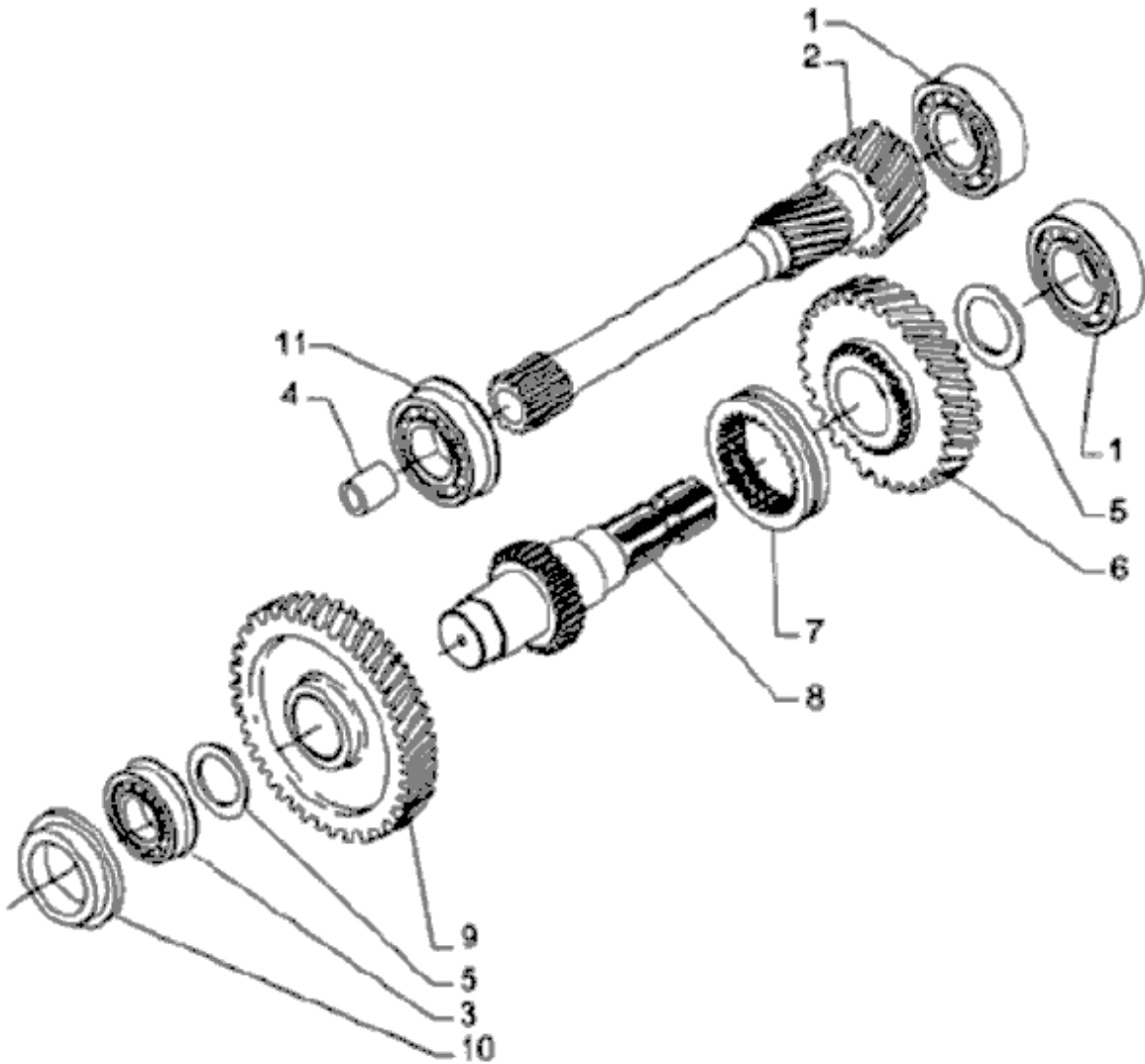


Item	Part No	Part Name	Qty.	Remarks
1	P5031200722	STICK OIL DIP	1	
2	P5031200723	Cover	1	
3	P5031200724	PLUG	1	
4	P5031200725	SEAL OIL (126403)	1	
5	P5031200726	SEAL OIL (25150)	1	
6	P5031200727	PIN DOWEL (CIL - 070783)	2	
7	P5031200728	BOLT M10x1.50x25-9.8 HEX HEAD	7	
8	P5031200729	PLUG	1	
9	P5031200730	BEARING	2	
10	P5031200731	SHAFT PTO (139674)	1	
11	P5031200732	BEARING	2	
12	P5031200733	SHAFT PTO	1	

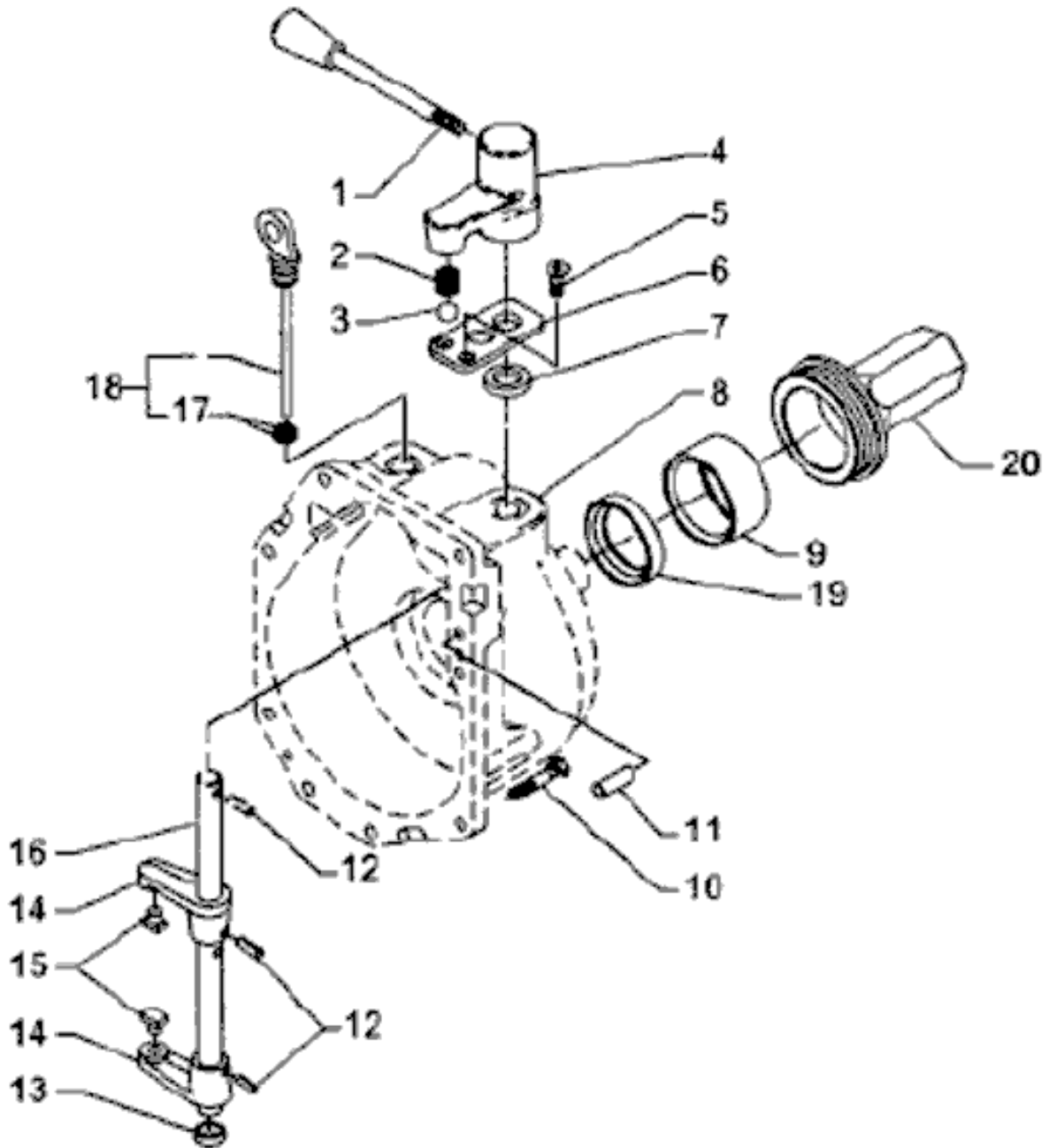


PTO guard	03.12.056
------------------	------------------

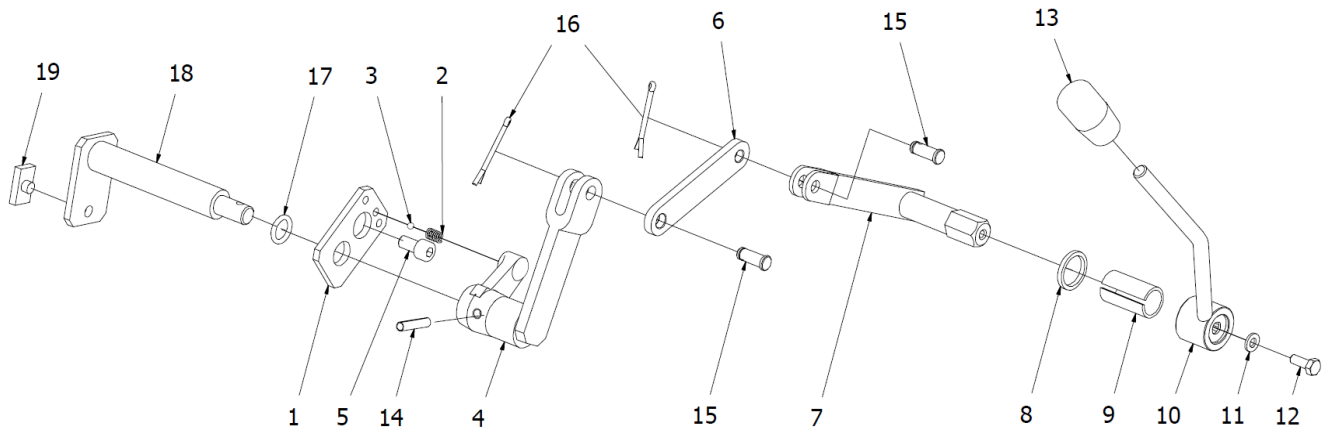
Item	Part No	Part Name	Qty.	Remarks
1	P5031200734	CAP PTO	1	
2	P5031200735	GUARD PTO	1	
4	P5031200736	SCREW M12x1.75x25-6.6 HEX HEAD	4	
5	P5031200737	WASHER 1/2" SPRING LOCK	4	



Item	Part No	Part Name	Qty.	Remarks
1	P5031200738	BEARING	2	
2	P5031200739	SHAFT Z-17/26	1	
3	P5031200740	BEARING	1	
4	P5031200741	BUSHUNG	1	
5	P5031200742	SPACER	2	
6	P5031200743	GEAR Z51	1	
7	P5031200744	SLEEVE PTO	1	
8	P5031200745	SHAFT	1	
9	P5031200746	GEAR Z=61	1	
10	P5031200747	BEARING SUPPORT	1	
11	P5031200748	BEARING	1	

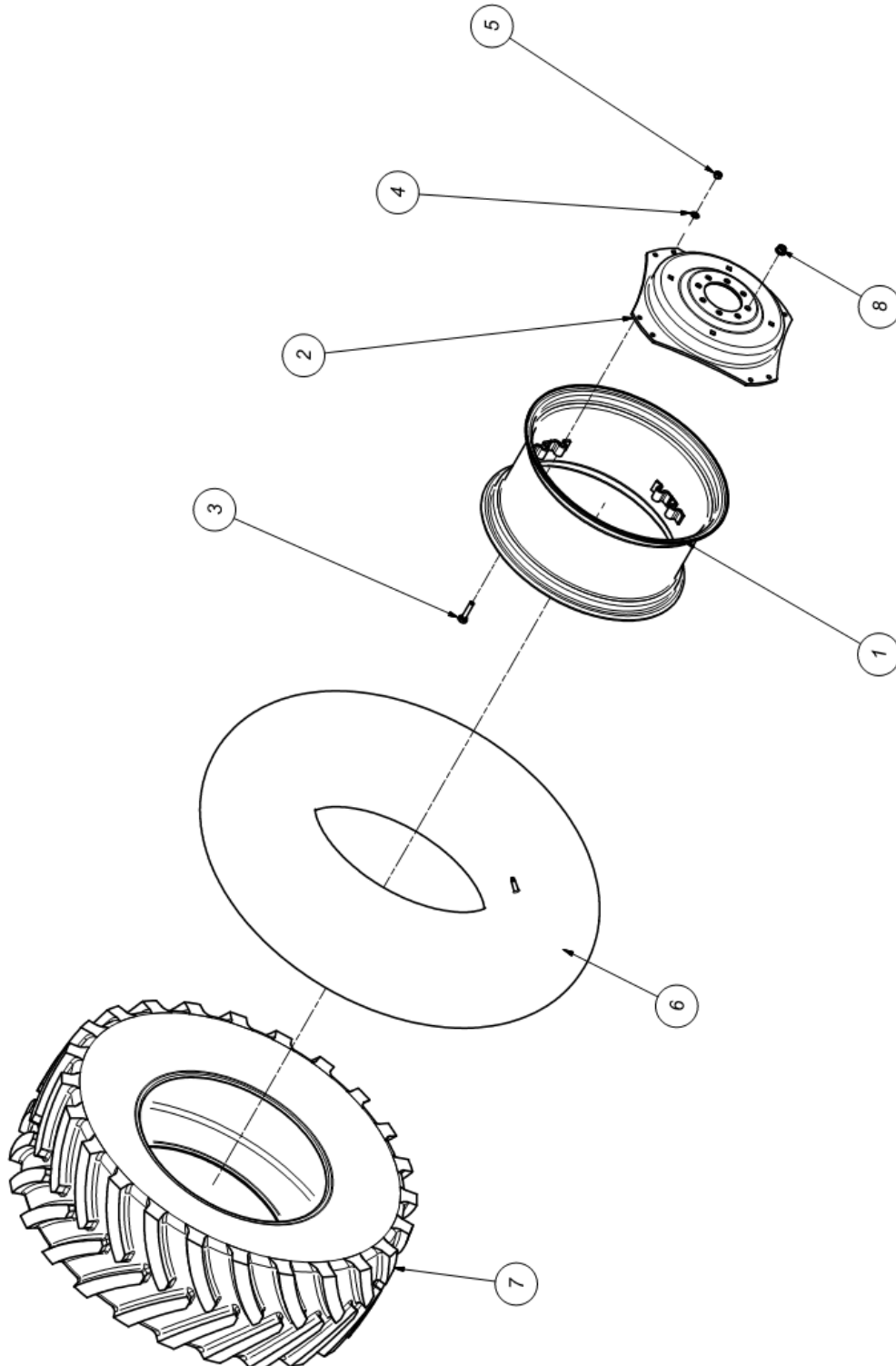


Item	Part No	Part Name	Qty.	Remarks
1	P5031200749	LEVER	1	
2	P5031200750	SPRING	1	
3	P5031200751	BALL D1/4"	1	
4	P5031200752	LOCK	1	
5	P5031200753	SCREW M8X16	1	
6	P5031200754	PLATE	1	
7	P5031200755	OIL SEAL DITRIBUTOR	1	
8	P5031200756	HOUSING	1	
9	P5031200757	SEAL OIL	1	
10	P5031200758	BOLT	7	
11	P5031200759	PIN DOWEL (CIL - 070783)	2	
12	P5031200760	PIN	3	
13	P5031200761	PLUG	1	
14	P5031200762	LEVER	2	
15	P5031200763	PAD	2	
16	P5031200764	SHAFT	2	
17	P5031200765	O RING	1	
18	P5031200766	OIL DIP STICK	1	
19	P5031200767	OIL SEAL	1	
20	P5031200734	CAP PTO	1	



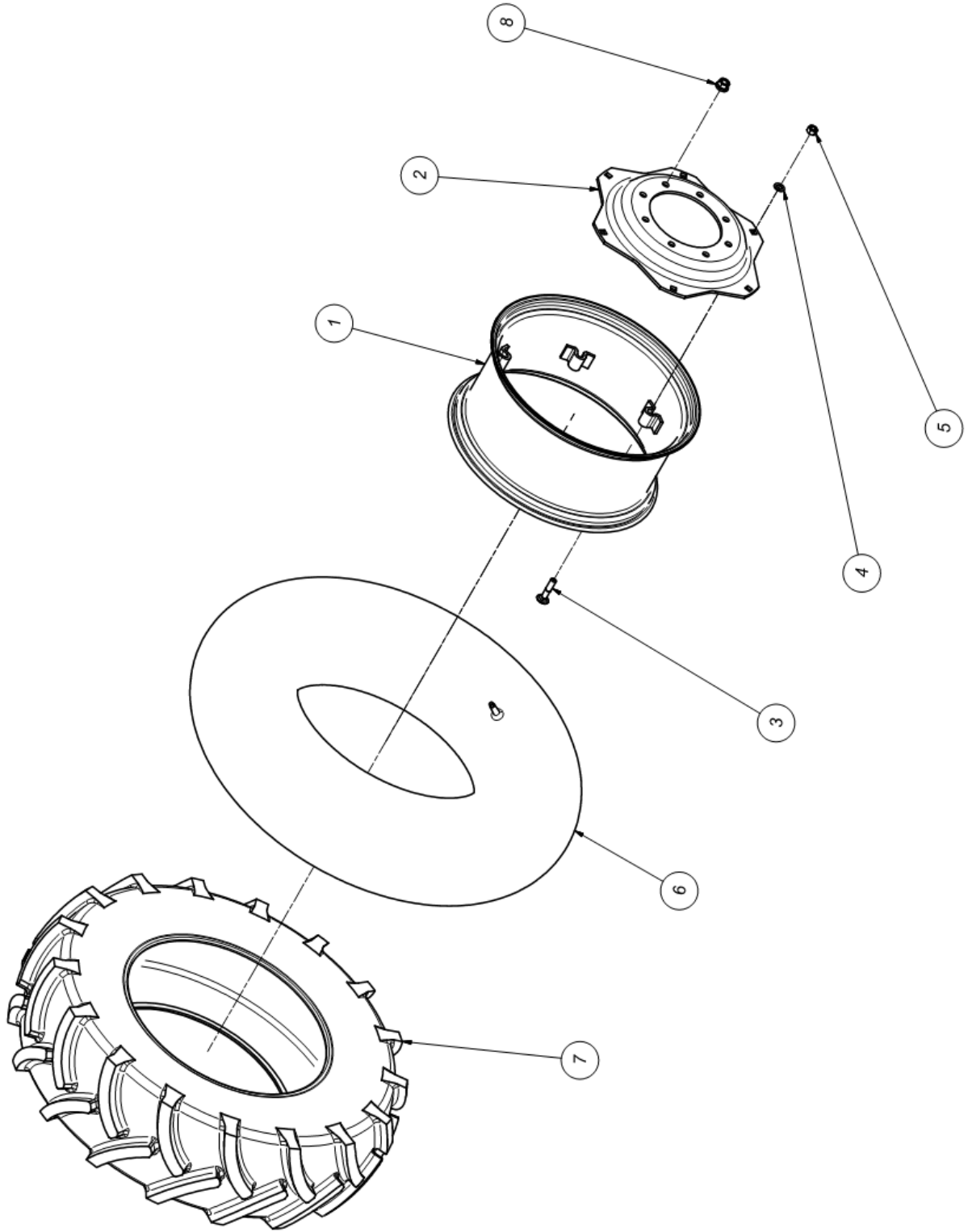
PTO outer controls**03.12.178**

Item	Part No	Part Name	Qty.	Remarks
1	P5031291466	Plate	1	
2	P5031291467	Spring	1	
3	P5031291468	Ball D1/4"	1	
4	P5031291469	PTO actuation lever	1	
5	P5031291470	Bolt M8x16	1	
6	P5031291471	Arm	1	
7	P5031291472	PTO actuation lever	1	
8	P5031291473	Sliding ring	1	
9	P5031291474	Sleeve	1	
10	P5031291475	PTO lever	1	
11	P5031291476	Flat washer	1	
12	P5031291477	Bolt M6x16	1	
13	P5031291478	Knob	1	
14	P5031291479	Catch 6x28	1	
15	P5031291480	Pin 8x28	2	
16	P5031291481	Cotter pin 3,2x40	2	
17	P5031291482	O-ring	1	
18	P5031291483	Pad	1	
19	P5031291484	Pad	1	



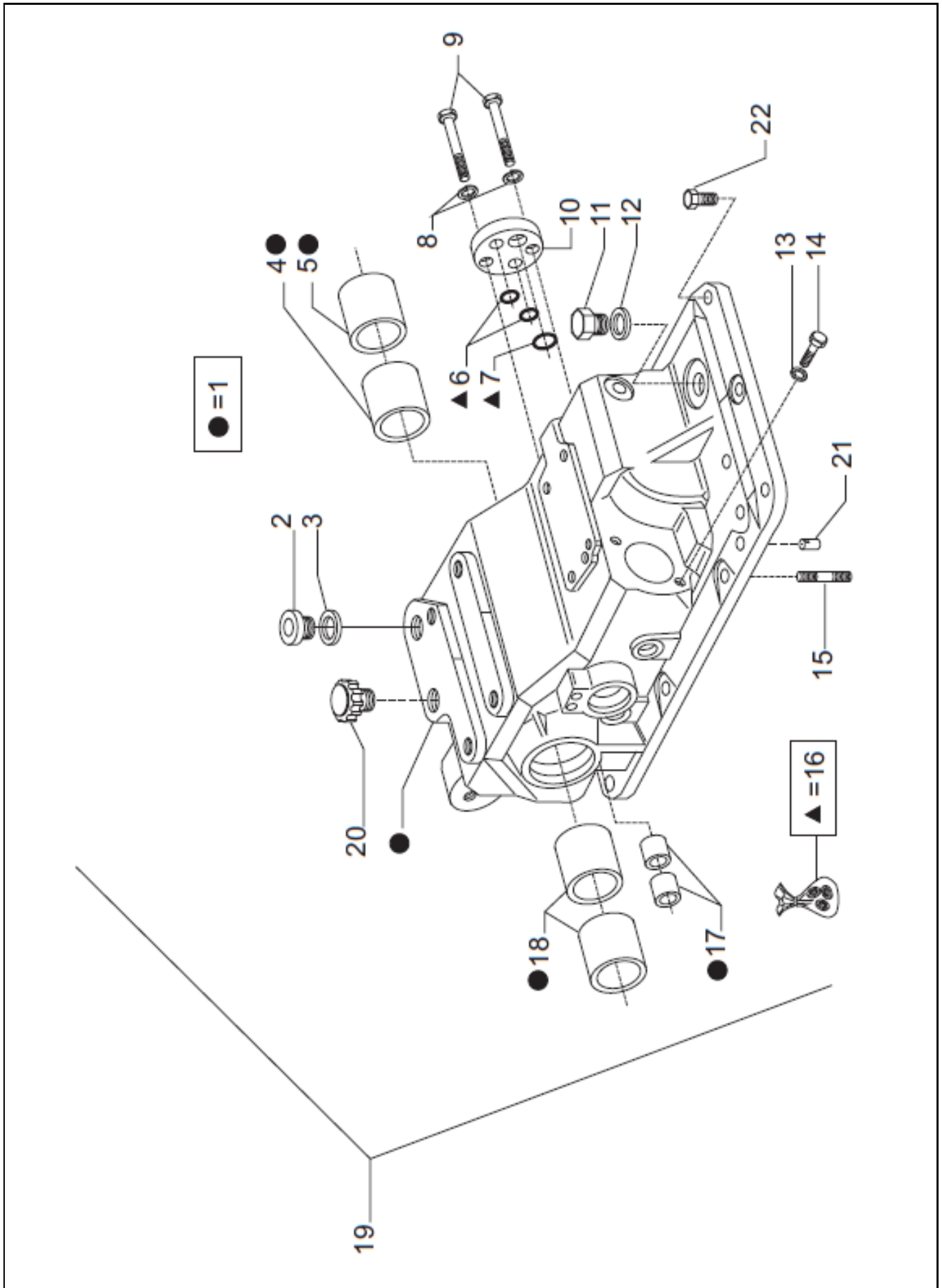
Rear wheel**03.13.059**

Item	Part No	Part Name	Qty.	Remarks
1	P5031390049	Wheel rim 15-30"	1	
2	P5031391153	Wheel disc 30"	1	
3	P5031391154	Bolt 5/8"-18x2.88"	8	
4	P5031390050	Washer 5/8"	8	
5	P5031390051	Nut	8	
6	P5031391155	Inner tube 16.9/18.4-30	1	
7	P5031390052	Tyre 18.4R30 (480/70 R 30)	1	
8	P5031390053	Wheel nut	8	
9	P5031390054	Wheel rim & disc assy. rear	1	



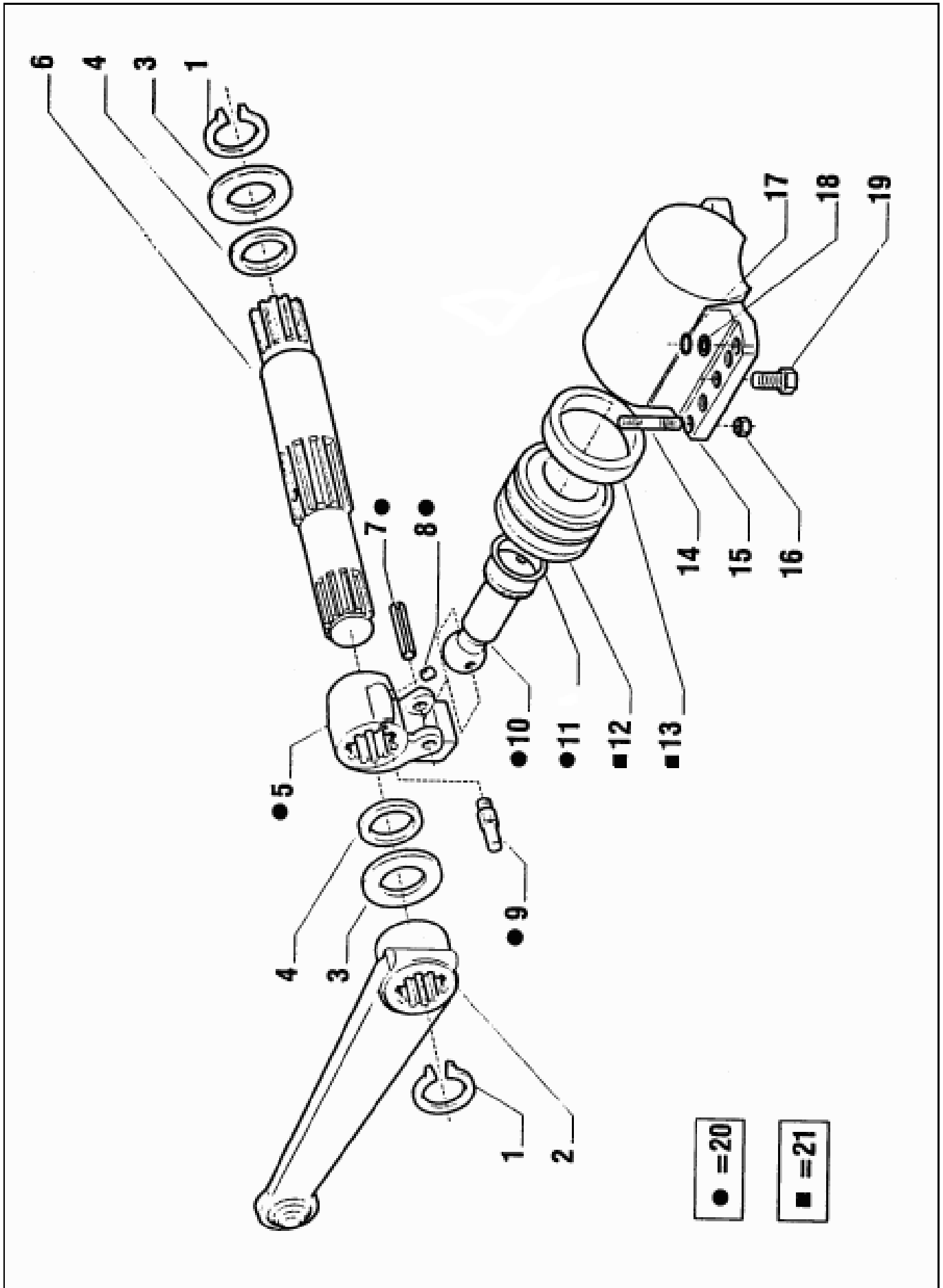
Front wheel**03.13.060**

Item	Part No	Part Name	Qty.	Remarks
1	P5031390055	Rim front wheel	1	
2	P5031390056	Disc front wheel	1	
3	P5031390057	Special bolt	6	
4	P5031390058	Washer	6	
5	P5031390059	Nut	6	
6	P5031391156	Inner tube 12,4x24	1	
7	P5031390060	Tyre 320/85 R 24	1	
8	P5031390061	Nut front wheel	8	
9	P5031391707	Wheel rim & disc assy. Front	1	



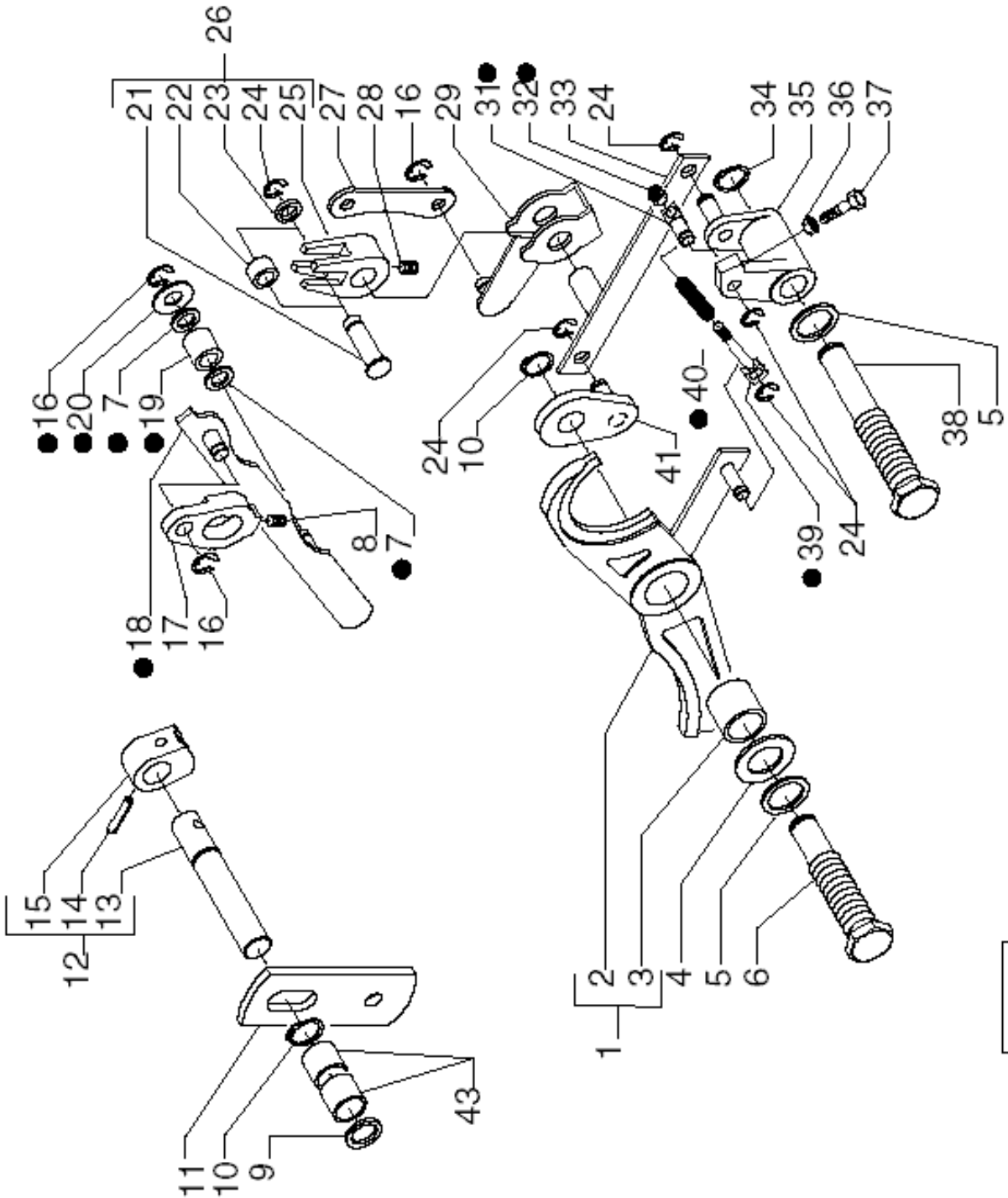
Hydraulic body**03.14.045**

Item	Part No	Part Name	Qty.	Remarks
1	P5031491708	Lift body pre-assembled	1	
2	P5031491709	Plug 1/2"	1	
3	P5031491710	Washer	1	
4	P5031491711	Bush	1	046949
5	P5031491712	Bush	1	046949
6	P5031491713	O.ring	2	047023
7	P5031491714	O.ring	1	047023
8	P5031491715	Grower	2	
9	P5031491716	Bolt M 10x35	2	
10	P5031491717	Flange	1	
11	P5031491718	Plug M18x1.5	1	
12	P5031491719	Copper washer	1	
13	P5031491720	Spring washer	2	
14	P5031491721	Bolt M8x35	2	
15	P5031491722	Stud M 14x61	6	046949
16	P5031491723	Seal kit	1	
17	P5031491724	Bush	2	046949
18	P5031491725	Bush	2	046949
19	P5031491726	Lift body assy	1	
20	P5031491727	Plug	1	
21	P5031491728	Dowel pin	2	
22	P5031491729	Bolt M 12x30	9	



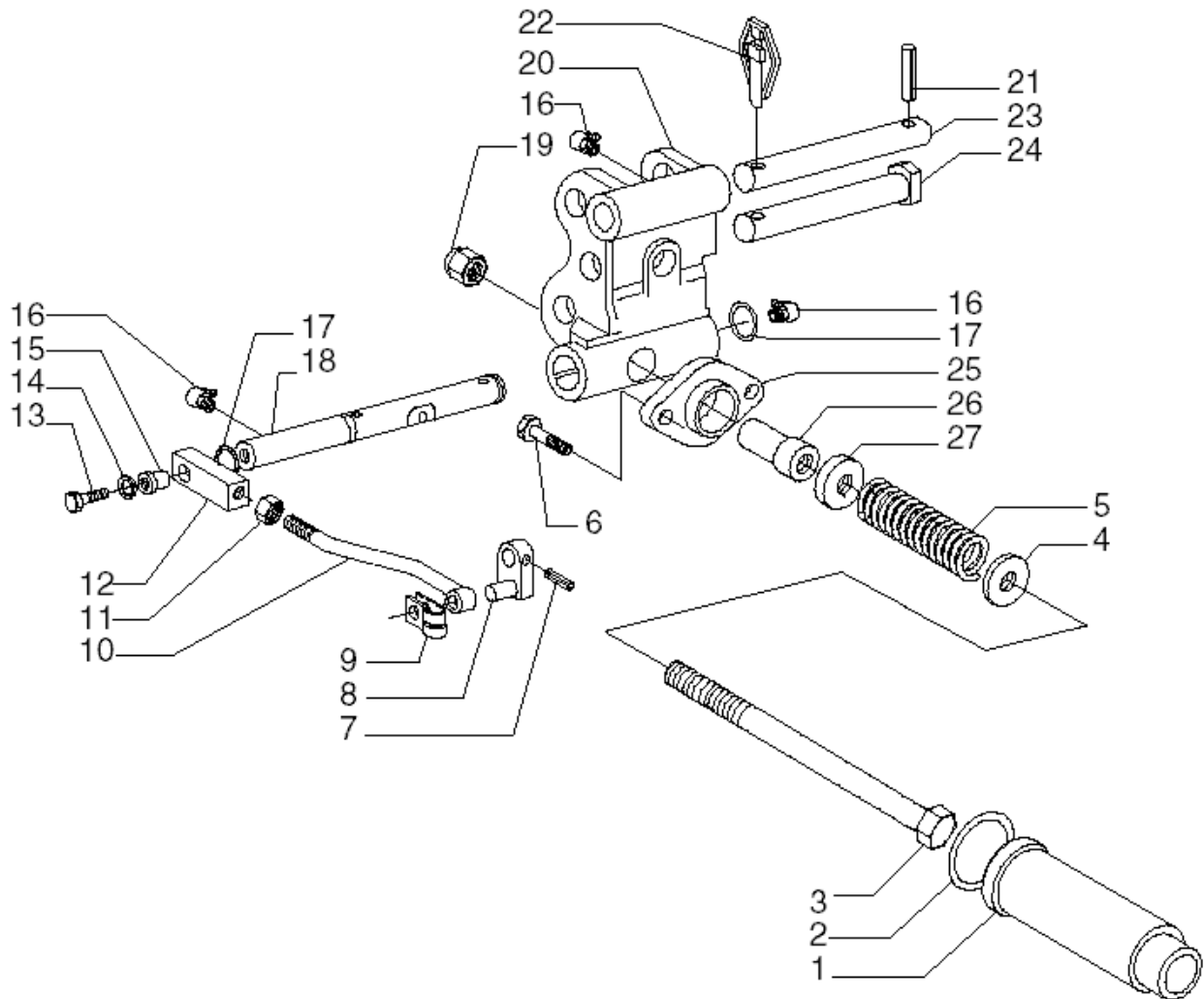
Item	Part No	Part Name	Qty.	Remarks
1	P5031400831	RING SNAP D55	2	
2	P5031400832	ARM LIFTING	2	
3	P5031400833	SPACER	2	
4	P5031400834	SEAL OIL	2	
5	P5031400835	LEVER	1	
6	P5031400836	SHAFT LIFTING	1	
7	P5031400837	PIN 10x65 COTTER	1	
8	P5031400838	GRUB M10x20	1	
9	P5031400839	PIN	1	
10	P5031400840	ROD CONNECTING	1	
11	P5031400841	SEAL O RING	1	
12	P5031400842	PISTON	1	
13	P5031400843	PACKING PISTON	1	
14	P5031400844	STUD M14x61	6	
15	P5031400845	CYLINDER	1	
16	P5031400846	NUT M14	6	
17	P5031400847	SEAL O RING	1	
18	P5031400848	RING	1	
19	P5031400849	BOLT M14x35	2	
20	P5031400850	KIT LEVER AND CONNECTING ROD	1	zawiera poz. 5, 7 do 1
21	P5031400851	PISTON AND RING ASSEMBLY (CIL - 046497)	1	zawiera poz. 12 i 13

● 30

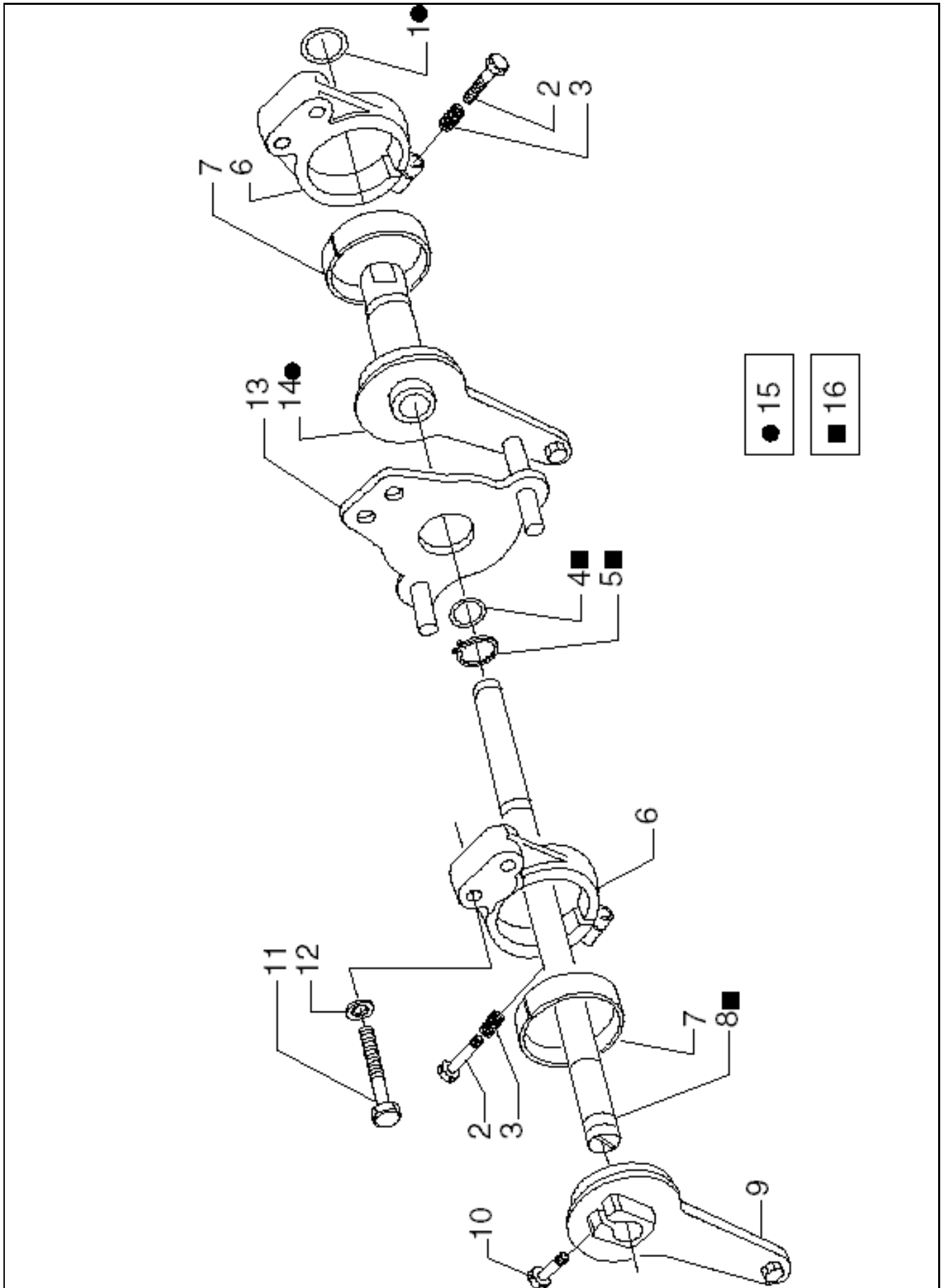


● 42

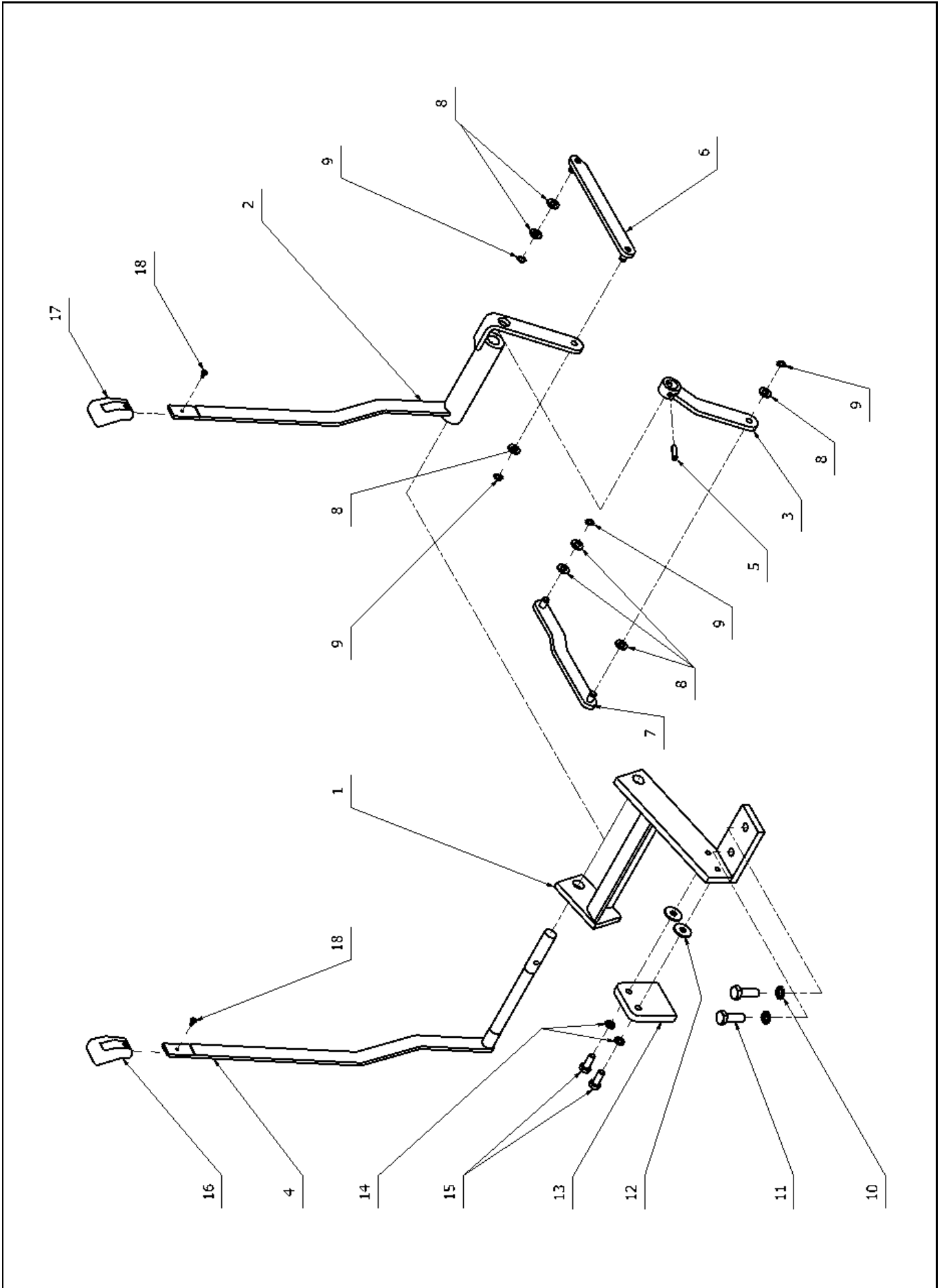
Item	Part No	Part Name	Qty.	Remarks
1	P5031400852	EQUALIZER	1	
2	P5031400853	EQUALIZER	1	
3	P5031400854	BEARING	1	
4	P5031400855	WASHER	1	
5	P5031400856	WASHER COPPER SEALING	2	
6	P5031400857	PIN SUPPORT	1	
7	P5031400858	WASHER	2	
8	P5031400859	GRUB M8x9	1	
9	P5031400860	RING SEAL	1	
10	P5031400861	RING SNAP	2	
11	P5031400862	PLATE	1	
12	P5031400863	CAM	1	
13	P5031400864	SHAFT	1	
14	P5031400865	BUSH	1	
15	P5031400866	CAM CONTROL VALVE	1	
16	P5031400867	RING SNAP D16	3	
17	P5031400868	CAM	1	
18	P5031400869	PLATE	1	
19	P5031400870	WASHER	1	
20	P5031400871	WASHER	1	
21	P5031400872	PIN	1	
22	P5031400873	WASHER	1	
23	P5031400874	WASHER	1	
24	P5031400875	RING SNAP	5	
25	P5031400876	ROD CONNECTING	1	
26	P5031400877	ROD CONNECTING	1	
27	P5031400878	ROD LINK	1	
28	P5031400879	SCREW M8x12 GRUB	1	
29	P5031400880	CAM	1	
30	P5031400881	PLATE	1	zawiera poz. 7,16, 18 i
31	P5031400882	SHAFT	1	
32	P5031400883	NUT M6x1.00-5 HEX	1	
33	P5031400884	PLATE	1	
34	P5031400885	CIRCLIP A15x0.90 SB	1	
35	P5031400886	LEVER	1	
36	P5031400887	NUT M8x1.25-5 HEX	1	
37	P5031400888	BOLT M8x1.25x25	1	
38	P5031400889	PIN SUPPORT	1	
39	P5031400890	PIN	1	
40	P5031400891	SPRING	1	
41	P5031400892	SHACKLE	1	
42	P5031400893	SPRING (PRE ASSEMBLED)	1	zawiera poz. 31, 32, 3
43	P5031400894	BUSH	2	



Item	Part No	Part Name	Qty.	Remarks
1	P5031400895	COVER SPRING	1	
2	P5031400896	SEAL O RING	1	
3	P5031400897	ROD	1	
4	P5031400898	WASHER	1	
5	P5031400899	SPRING	1	
6	P5031400900	BOLT M12x1.75x30-9.8 HEX HEAD	2	
7	P5031400901	PIN 6X28 COTTER	1	
8	P5031400902	LEVER	1	
9	P5031400903	WASHER LOCK	1	
10	P5031400904	ROD	1	
11	P5031400905	NUT M10-24 HEX	1	
12	P5031400906	PLATE	1	
13	P5031400907	BOLT M8x1.25x35	1	
14	P5031400908	SPRING WASHER D 8.1	1	
15	P5031400909	BUSH	1	
16	P5031400910	GREASE NIPPLE M10x1-45DEGREE	3	
17	P5031400911	SEAL O RING	2	
18	P5031400912	SHAFT	1	
19	P5031400913	NUT M14	1	
20	P5031400914	BRACKET 3RD POINT	1	
21	P5031400915	BUSH	2	
22	P5031400916	PIN DIA-10mm LOCK	1	
23	P5031400917	PIN 3RD POINT	1	
24	P5031400918	PIN 3RD POINT	1	
25	P5031400919	FLANGE	1	
26	P5031400920	BUSH	1	
27	P5031400921	WASHER	1	



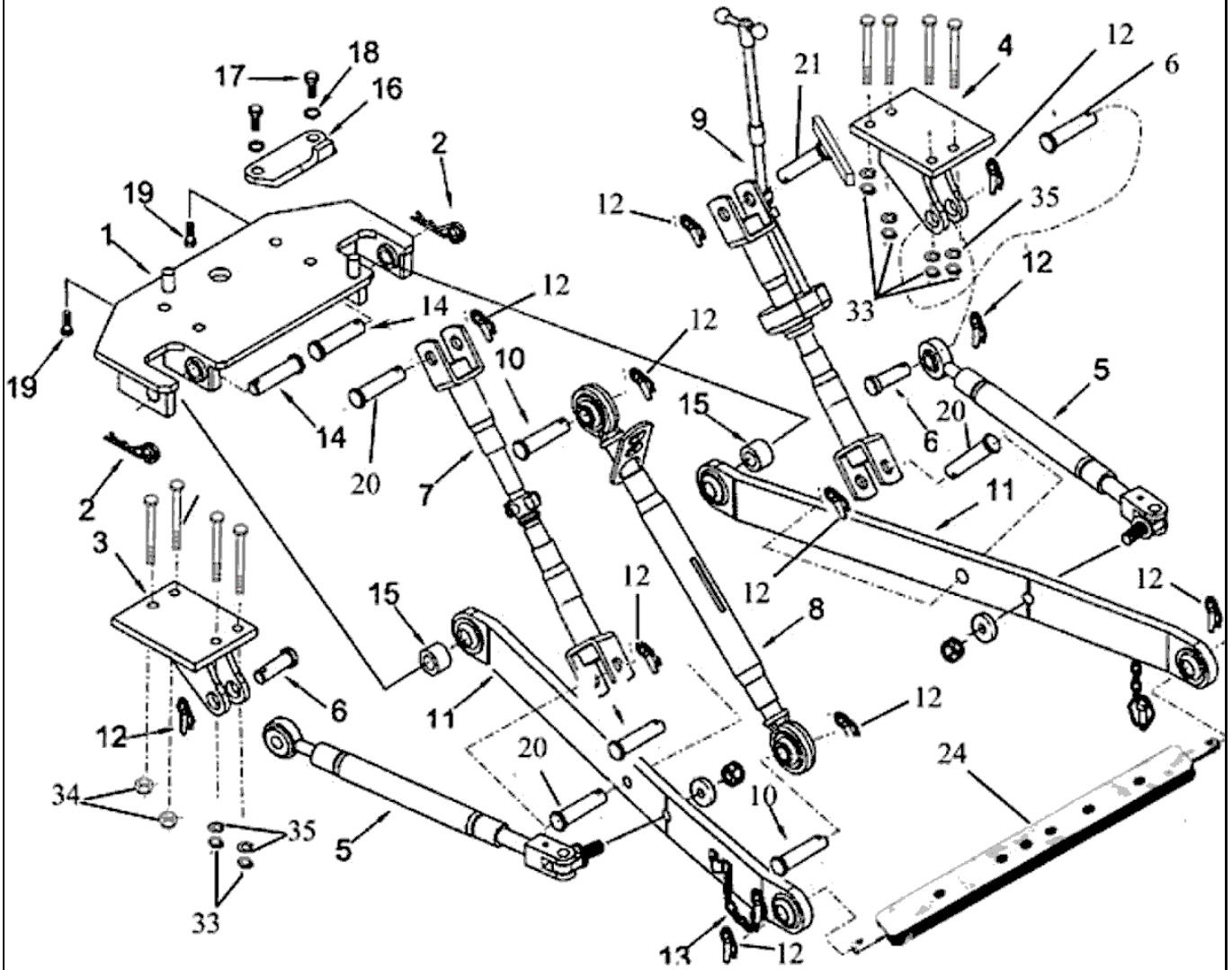
Item	Part No	Part Name	Qty.	Remarks
1	P5031400922	SEAL O RING	1	
2	P5031400923	BOLT M6x40	2	
3	P5031400924	SPRING	2	
4	P5031400925	SEAL O RING	1	
5	P5031400926	RING SNAP D16	1	
6	P5031400927	SUPPORT	2	
7	P5031400928	RING CLUTCH	2	
8	P5031400929	SHAFT POSITION DRIVE	1	
9	P5031400930	LEVER	1	
10	P5031400931	BOLT M10x30	1	
11	P5031400932	BOLT M8x1.25x55	2	
12	P5031400933	SPRING WASHER D 8.1	2	
13	P5031400934	FLANGE	1	
14	P5031400935	SHAFT STRESS DRIVE	1	
15	P5031400936	STRESS DRIVE SHAFT [PRE-ASSEMBLED	1	zawiera poz. 1 i 14
16	P5031400937	DRIVE SHAFT [PRE-ASSEMBLED]	1	zawiera poz 4, 5, i 8



Outer lifting control levers

03.14.050

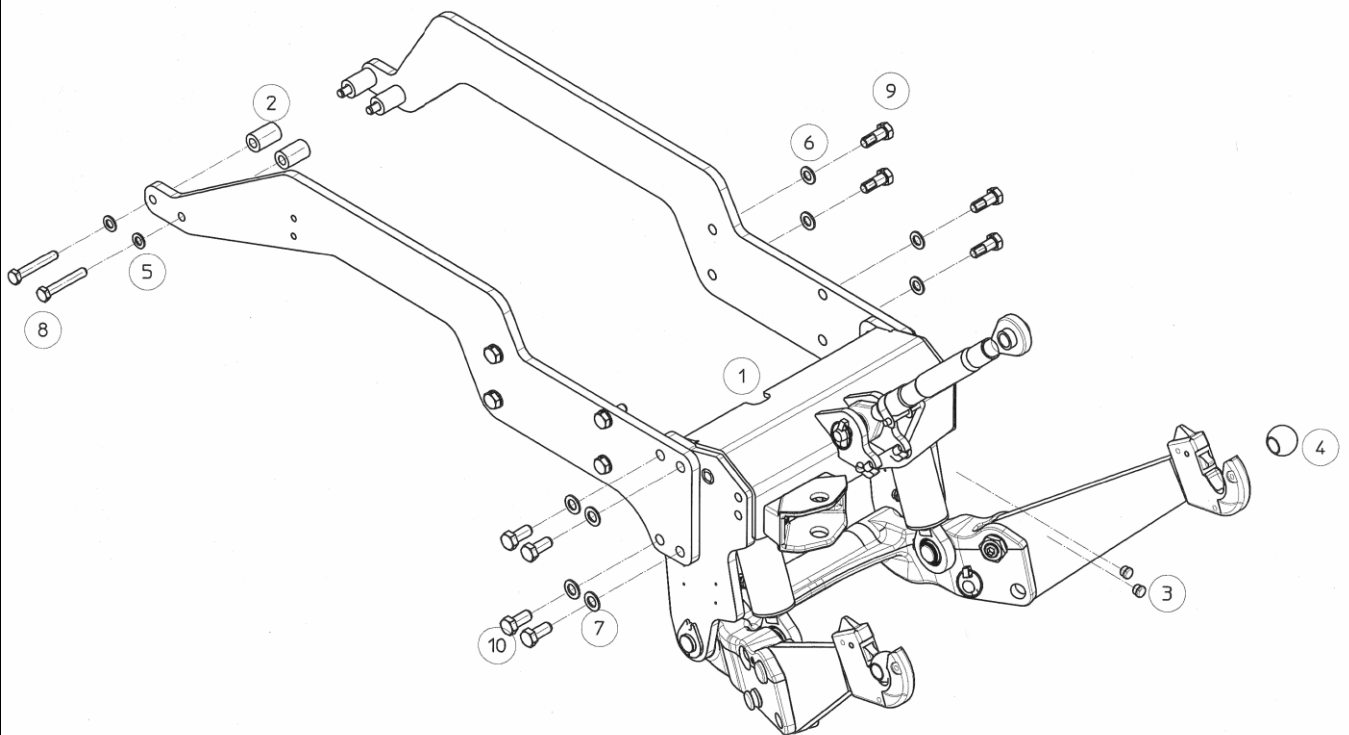
Item	Part No	Part Name	Qty.	Remarks
4	P5031400938	LEVER DRIVE	1	
18	P5031400939	SCREW 35x13	2	PN-79/M-83144
17	P5031400941	KNOB (YELLOW)	1	
8	P5031400942	WASHER Ø8	7	PN-80/M-82004
7	P5031400943	ROD	1	
16	P5031400944	KNOB HYDRAULIC CONTROL LEVER (RED)	1	
13	P5031400945	PLATE	1	
11	P5031400946	BOLT M10x30-8.8 Fe/Zn	2	PN-85/M-82105
10	P5031400947	WASHER SPLIT Ø10.2 Fe/Zn	2	PN-77/M-82008
1	P5031400948	SUPPORT	1	
2	P5031400949	SHAFT DRIVE	1	
9	P5031400950	RING SNAP Oz=8	4	PN-81/M-85111
5	P5031400951	PIN 6X25 COTTER	1	PN-89/M-85024
3	P5031400952	LEVER	1	
6	P5031400953	LEVER	1	
12	P5031400954	SPACER	2	
15	P5031400955	BOLT M8x30 8.8 Fe/Zn	2	
14	P5031400956	SPRING WASHER Ø8 Fe/Zn	2	PN-77/M-82008



Hydraulic lift linkage

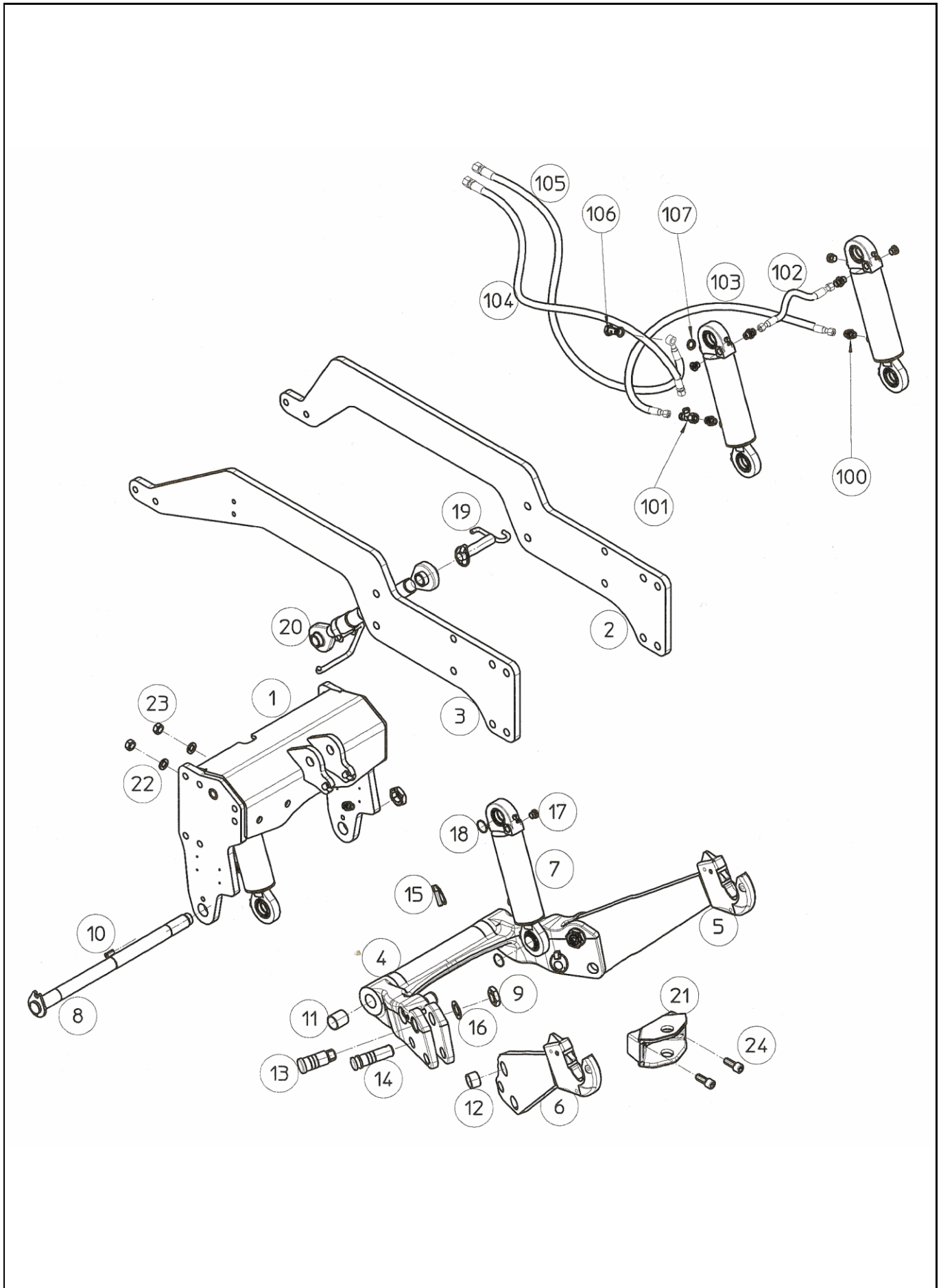
03.14.061

Item	Part No	Part Name	Qty.	Remarks
1	P5031400785	SUPPORT HYDRAULIC LIFT LOWER LINK MOUNTI	1	
2	P5031400786	PIN 8x35 SPRING DOWEL	2	
3	P5031400787	BRACKET STAY BAR MOUNTING LH	1	
4	P5031400788	BRACKET STAY BAR MOUNTING RH	1	
5	P5031400789	BAR ASSEMBLY STAY	2	
6	P5031400790	PIN 22x67 CLEVIS	2	
7	P5031400791	ROD ASSEMBLY HYDRAULIC LIFT LEVELLING	1	
8	P5031400792	LINK ASSEMBLY HYDRAULIC UPPER LIFT	1	
9	P5031400793	BOX ASSEMBLY HYDRAULIC LIFT LEVELLING	1	
10	P5031400794	PIN HYDRAULIC LIFT UPPER LINK (CAT II)	2	
11	P5031400795	LINK ASSEMBLY HYDRAULIC LOWER LIFT	2	
12	P5031400796	PIN SAFETY SPLIT	10	
13	P5031400797	CHAIN AND CLIP ASSEMBLY HYDRAULIC LIFT	4	
14	P5031400798	PIN FULCRUM	2	
15	P5031400799	SPACER LOWER LINK	2	
16	P5031400800	BRACKET HYDRAULIC LIFT UPPER LINK HOLDING	1	
17	P5031400801	BOLT M10x30-9.8 HEX HEAD	2	
18	P5031400802	WASHER M10 SPRING LOCK	2	
19	P5031400803	SCREW M16x58 8.8HEX HEAD SELF LOCKING	4	
20	P5031400804	PIN - ROD ASSY UPPER	3	
21	P5031400805	PIN - ROD ASSY UPPER	1	
24	P5031400806	HANGER TOP LINK HOLDING	1	
30	P5031400807	BOLT 5/8"-18x2.25" HEX HEAD	2	
31	P5031400808	SPACER DRAWBAR HANGER	2	
32	P5031400809	BOLT 5/8"-18x8.00" HEX HEAD	8	
33	P5031400810	NUT 5/8"-18 HEX	6	
34	P5031400811	Locknut 5/8"	2	
35	P5031400812	WASHER 5/8" SPRING LOCK	6	



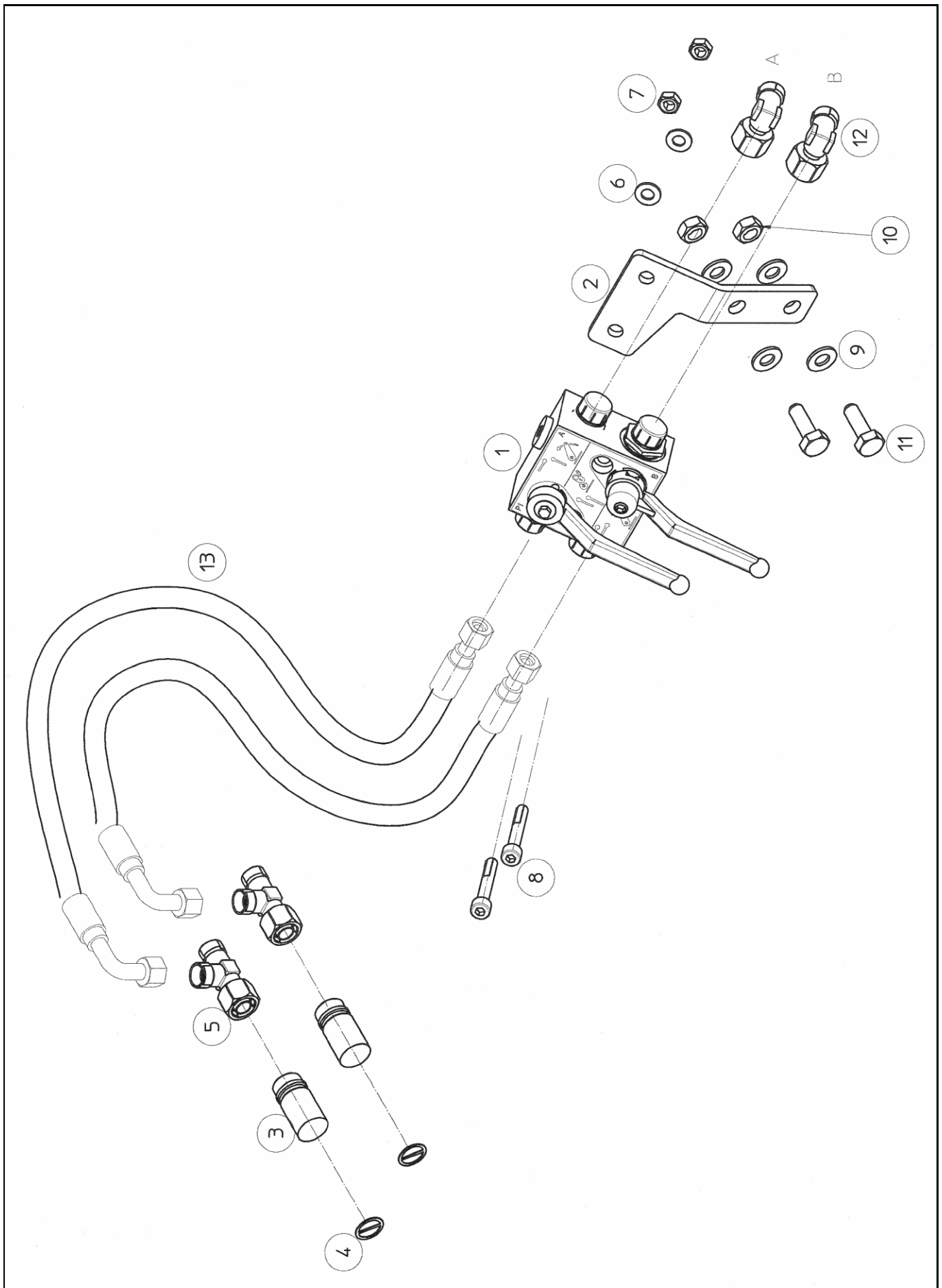
Front 3-point linkage - fixing**03.14.180**

Item	Part No	Part Name	Qty.	Remarks
1	P5031491504	Lin unit Farmtrac FT 22kn	1	
2	P5031491505	Bush 035x018 L55 sawn	4	
3	P5031491506	Plastic cap black	2	
4	P5031491507	Ball cat2 hole 2	2	
5	P5031491508	Washer M16 Elvz	4	
6	P5031491509	Washer M18 Elvz	8	
7	P5031491510	Washer M20 Elvz	8	
8	P5031491511	Bolt M16x100 8.8	4	
9	P5031491512	Bolt 3/4 x 2 UNC 8.8	8	
10	P5031491513	Bolt M20x45 8.8 Elvz	8	



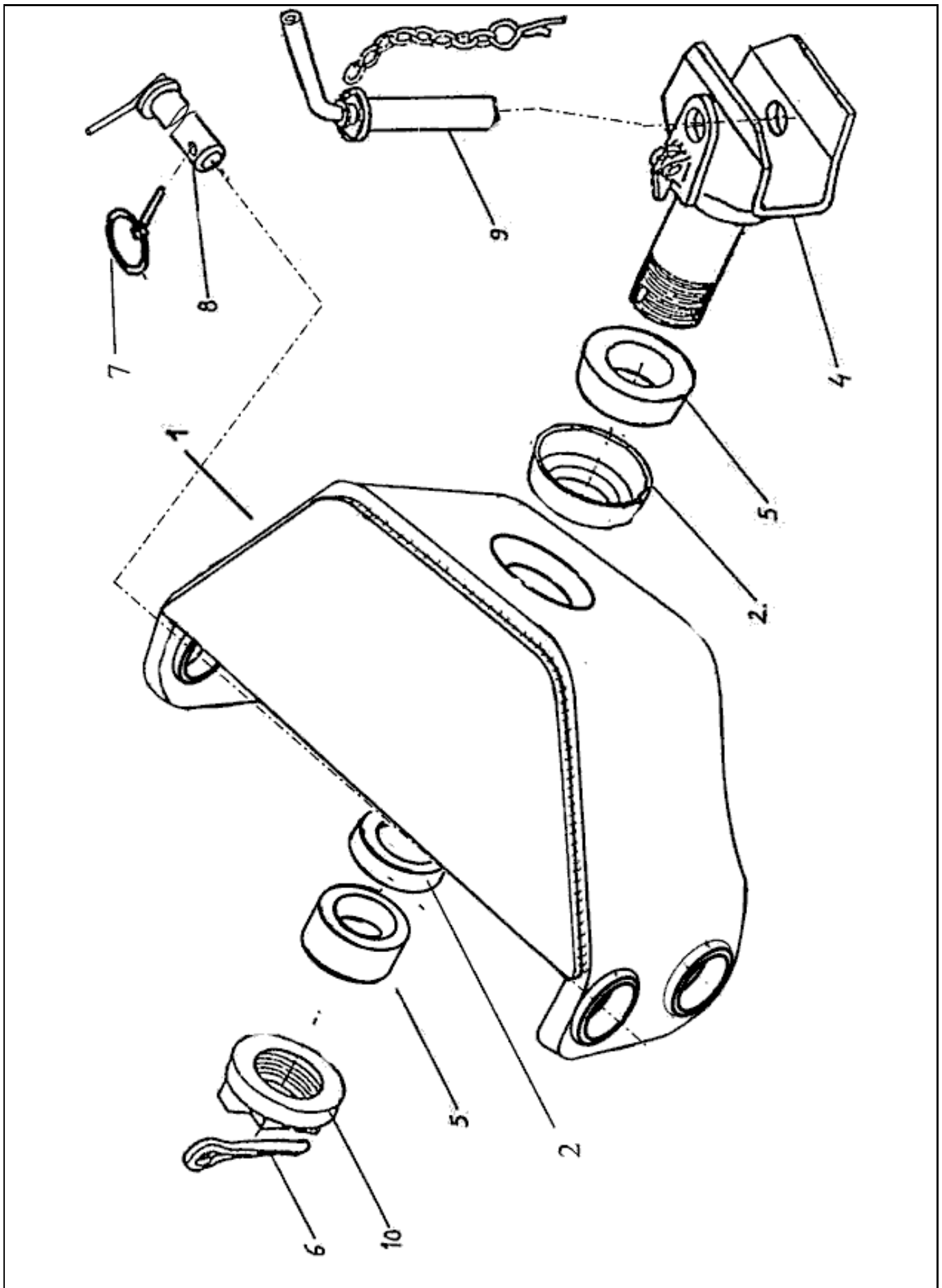
Front 3-point linkage
03.14.181

Item	Part No	Part Name	Qty.	Remarks
1	P5031491514	Mntg frame Farmtrac FT 22kn	1	
2	P5031491515	Side L Farmtrac Ft rear	1	
3	P5031491516	Side R Farmtrac Ft rear	1	
4	P5031491517	Lifter FW500 28 compl	1	
5	P5031491518	Lift arm L M2002 cat2	1	
6	P5031491519	Lift arm R M2002 cat2	1	
7	P5031491520	Cylinder 70x30x140 355 metr25	2	
8	P5031491521	Pivot shaft Lf 500 28 Pas	1	
9	P5031491522	Nut M30x1,5 Low	3	
10	P5031491523	Spiral Pin 12x24 elvz	1	
11	P5031491524	Bearing bush 39x35 L40 PAO P10	2	
12	P5031491525	Bearing bush PAP 3525 P10	2	
13	P5031491526	Pivot pin lift frame 28 PAS	2	
14	P5031491527	Locking pin pend/fixed 28 QPQ	2	
15	P5031491528	Locking Clip 010	2	
16	P5031491529	Spacer lift frame 050x031x2	2	
17	P5031491530	Seal plug PG M16x1,5	3	
18	P5031491531	Retaining ring A35	4	
19	P5031491532	Toplink pin cat 2	1	
20	P5031491533	Toplink diamond 580 715MM	1	
21	P5031491534	Towing hook diamond	1	
22	P5031491535	Washer M16 elvz	2	
23	P5031491536	Nut M16 elvz	2	
24	P5031491537	Socket screw M16x40 8.8 elvz	2	
100	P5031491538	Ge 12 LM 16 rubber sealing	4	
101	P5031491539	T-stuk evl 12L	1	
102	P5031491540	Ta2 T10 pipe 12 s-s 300mm	1	
103	P5031491541	Ta2 T10 pipe 12 r-r 500	1	
104	P5031491542	Ta2 T10 pipe 12 s-s 4500mm	1	
105	P5031491543	Ta2 T10 pipe 12 s-b M16 4500mm	1	
106	P5031491544	Banjobolt M16 Short	1	
107	P5031491545	Dowty seal ring M16	2	



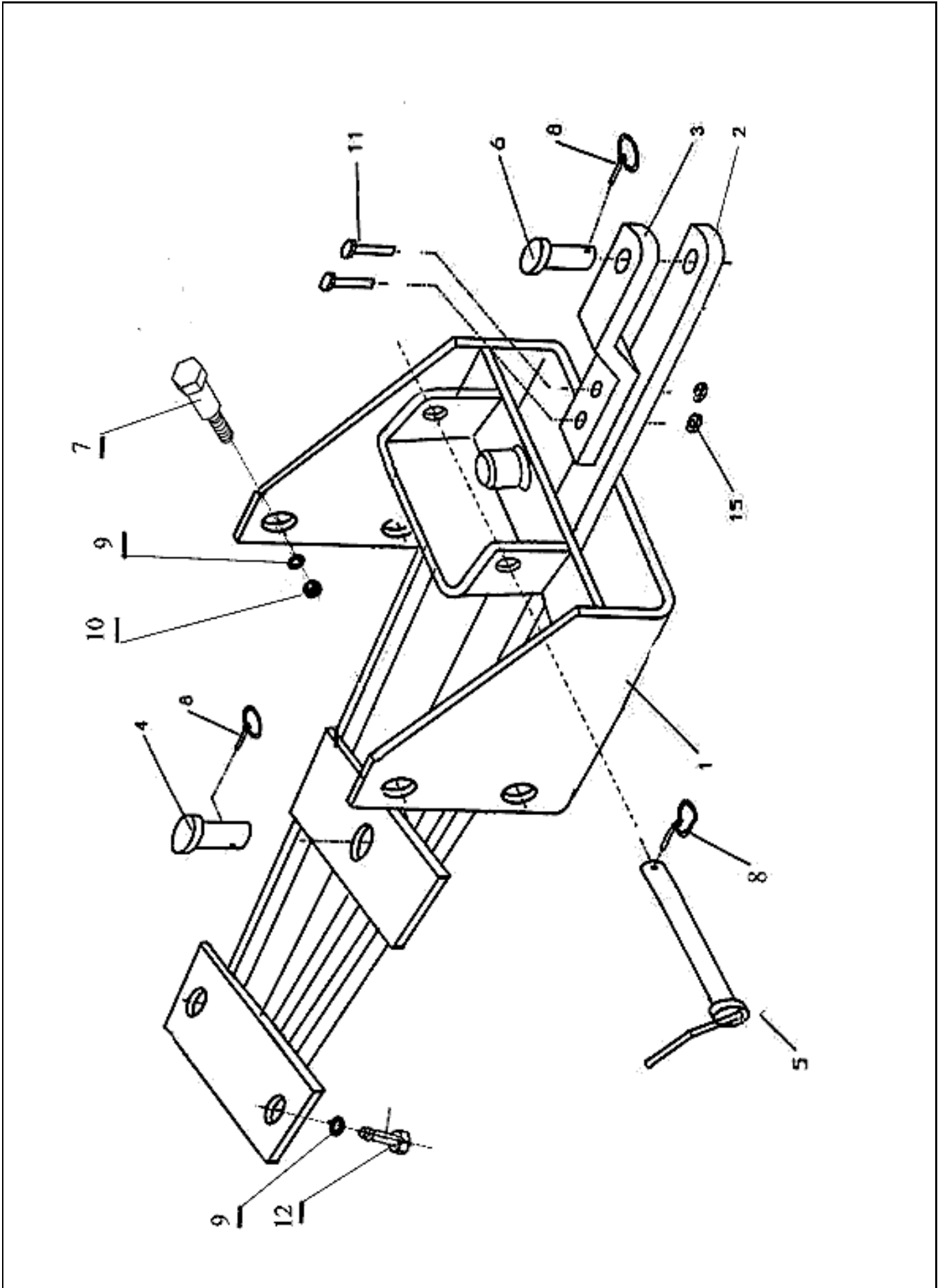
Front 3-point linkage - hydraulic**03.14.182**

Item	Part No	Part Name	Qty.	Remarks
1	P5031491546	Multivalve pre-mounted	1	
2	P5031491547	Mv brkt Farmtrac FT	1	
3	P5031491548	Seal plug quick coupling	2	
4	P5031491549	Sticker quick coupling not use	2	
5	P5031491550	T-stuk evl 12L	2	
6	P5031491551	Washer M8 elvz	2	
7	P5031491552	Nut M8 elvz	2	
8	P5031491553	Socket screw M8x50 8.8 elvz	2	
9	P5031491554	Washer M10 elvz	4	
10	P5031491555	Nut M10 elvz	2	
11	P5031491556	Bolt M10x30 8.8 elvz	2	
12	P5031491557	Elbow evw 12L	2	
13	P5031491558	Ta2 T10 pipe 12 A-S	2	



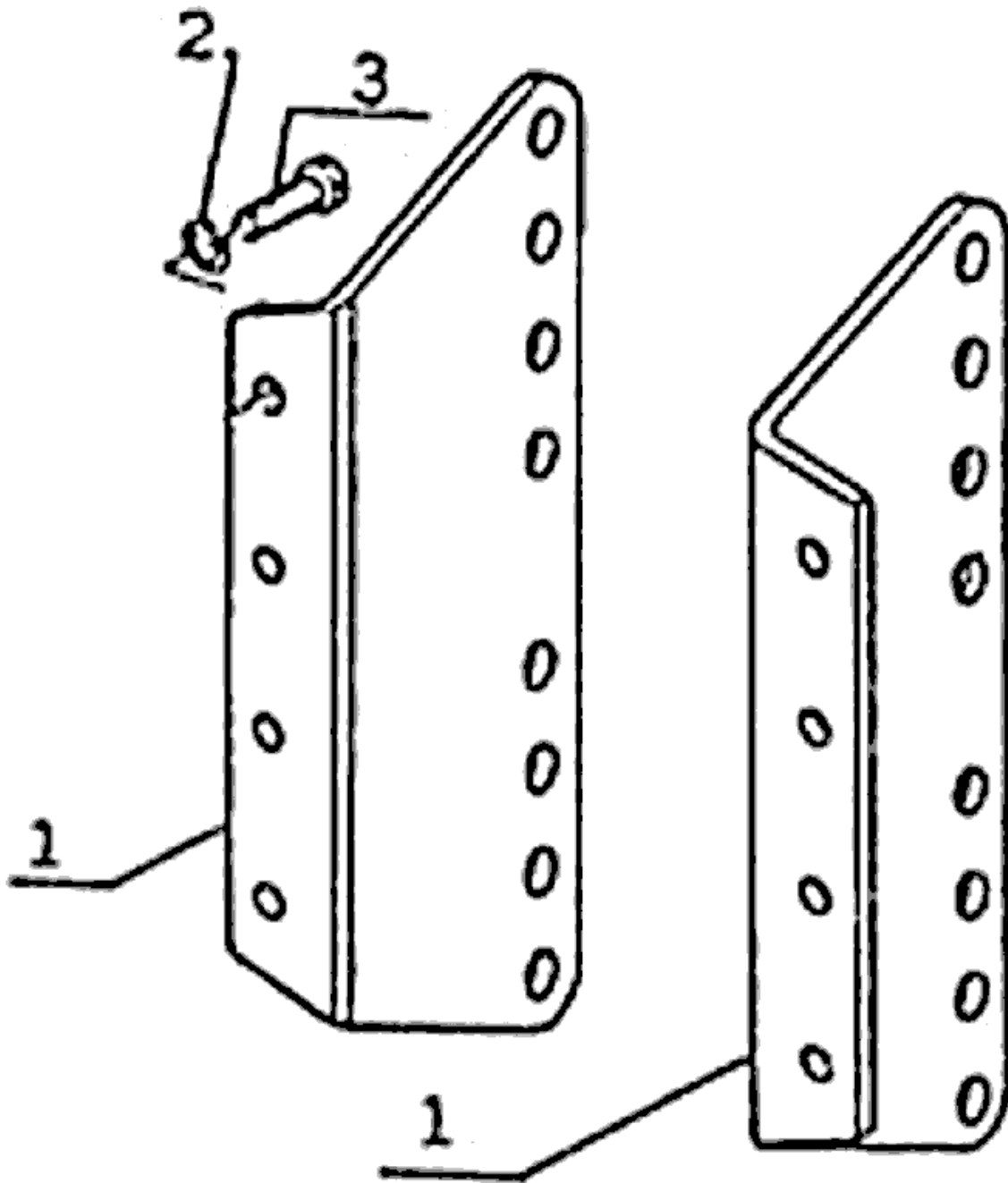
Upper hitch**03.15.065**

Item	Part No	Part Name	Qty.	Remarks
1	P5031501027	Body	1	ZM02-010-520.00
2	P5031501028	Cup	2	ZM04-010-101.00
4	P5031501029	Tow hook	1	3027001 M93
5	P5031501030	Ring rubber	2	ZM02-010-105.00
6	P5031501031	Cotter S-Zn 8x80;	1	PN/M82001
7	P5031501032	Locking pin A11x50	2	PN-ISO70721996
8	P5031501033	Pin coupling assy	2	ZM02-010-510.00
9	P5031501034	Pin coupling	1	7041/00-03-100/0
10	P5031501035	Nut crown M50x2 6g	1	ZM04-010-103.00



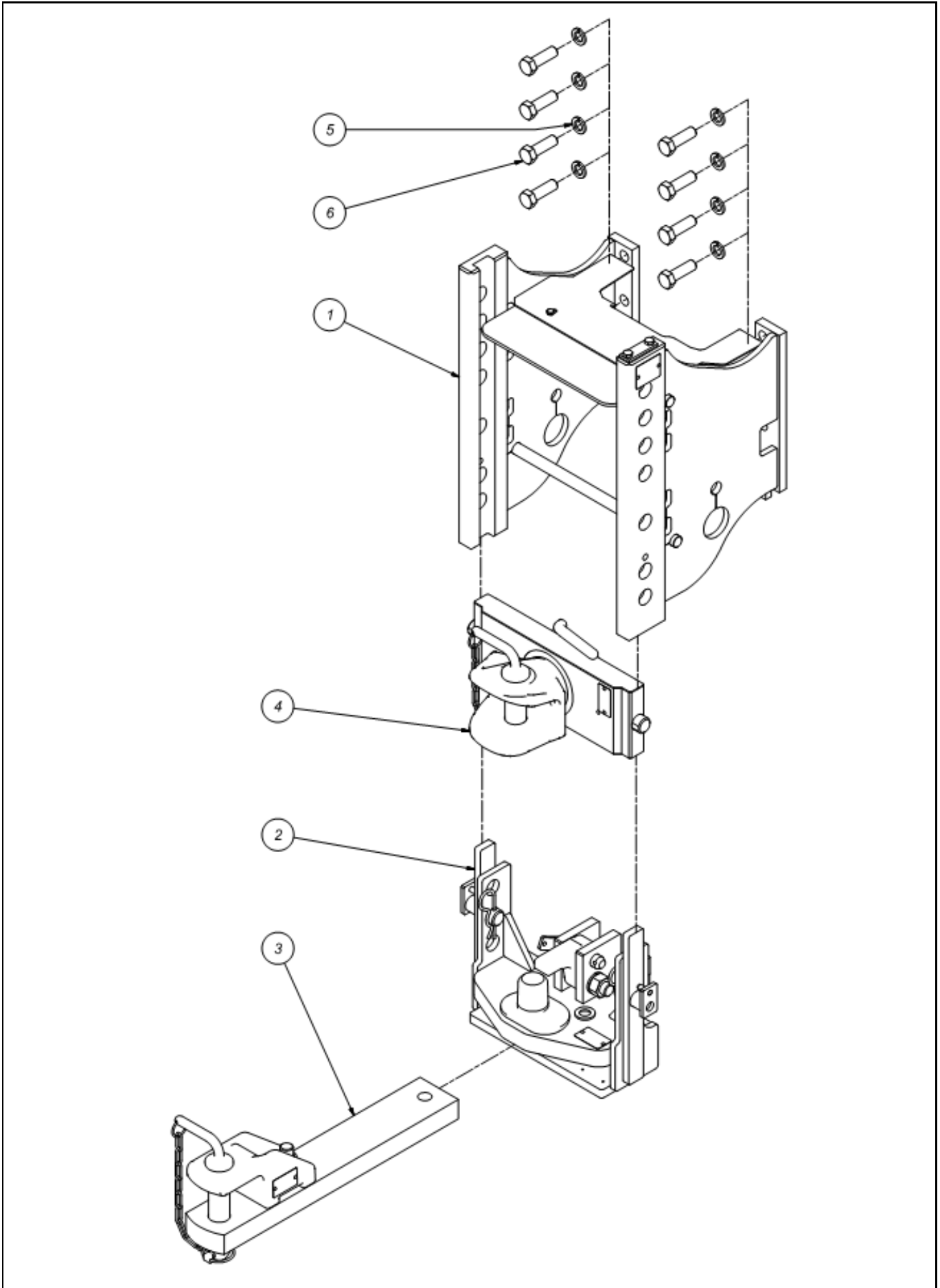
Lower hitch set**03.15.066**

Item	Part No	Part Name	Qty.	Remarks
0	P5031501036	Swinging drawbar assy	1	
1	P5031501037	Housing	1	
2	P5031501038	Bar	1	
3	P5031501039	Strap	1	
4	P5031501040	Pin	1	
5	P5031501041	Secure pin	1	
6	P5031501042	Drawbar pin	1	
8	P5031501043	Locking pin 8x50	3	PN-ISO70721996
11	P5031501044	Bolt M16x90	2	
15	P5031501045	Locknut M16	2	PN-85/M-82175
9	P5031501046	Spring washer ø16,2 Fe/Zn	6	PN-77/M-82008
17	P5031501047	Drawbar assy (2,3,11,14-16)	1	
7	P5031501048	Special bolt	4	
10	P5031501049	Nut M16 Fe/Zn	4	PN-85/M-82144
12	P5031501050	Bolt 5/8 M18	2	PN-85/M-82101



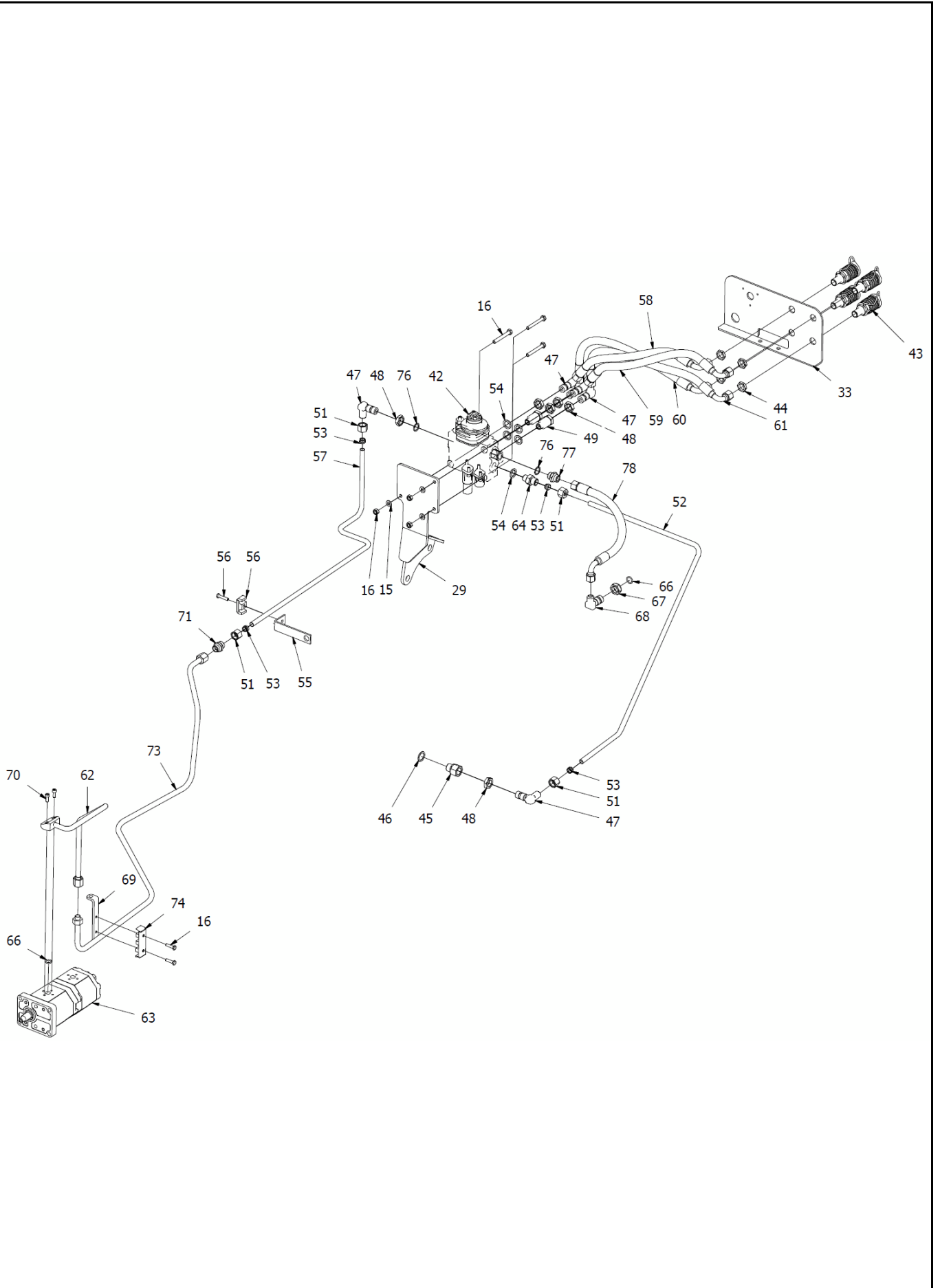
Bracket rear hitches	03.15.067
-----------------------------	------------------

Item	Part No	Part Name	Qty.	Remarks
2	P5031501051	WASHER M16 SPRING LOCK	8	
3	P5031501052	BOLT M16x2.00x35-8.8 HEX HEAD	8	
1	P5031501053	BRACKET TOW HOOK MOUNTING	2	

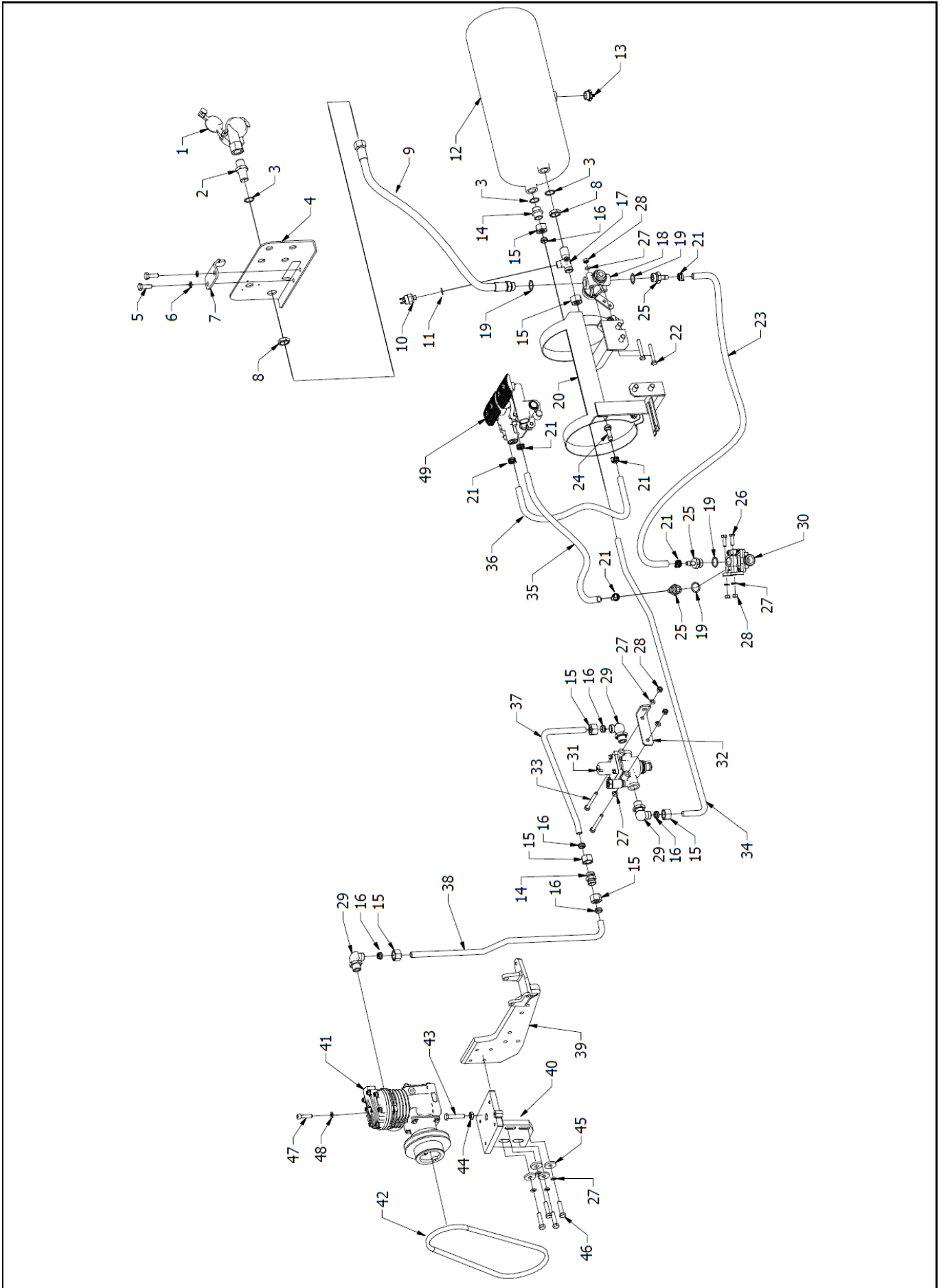


Rear hitches**03.15.068**

Item	Part No	Part Name	Qty.	Remarks
0	P5031590068	Hitch Assembly	1	
1	P5031590062	Bracket assy. rear hitches	1	
2	P5031590063	Lower Transportation Hitch Assy.	1	
2	P5031590069	Lower Transportation Hitch Assy. option	1	
3	P5031590064	Tractor Drawbar Assy.	1	
3	P5031590070	Tractor Drawbar Assy. Option	1	
4	P5031590065	Slidable couplig device	1	
4	P5031590071	Slidable couplig device option	1	
5	P5031590066	Spring washer 16,3	8	
6	P5031590067	Hexhead bolt M16x50-5.8	8	

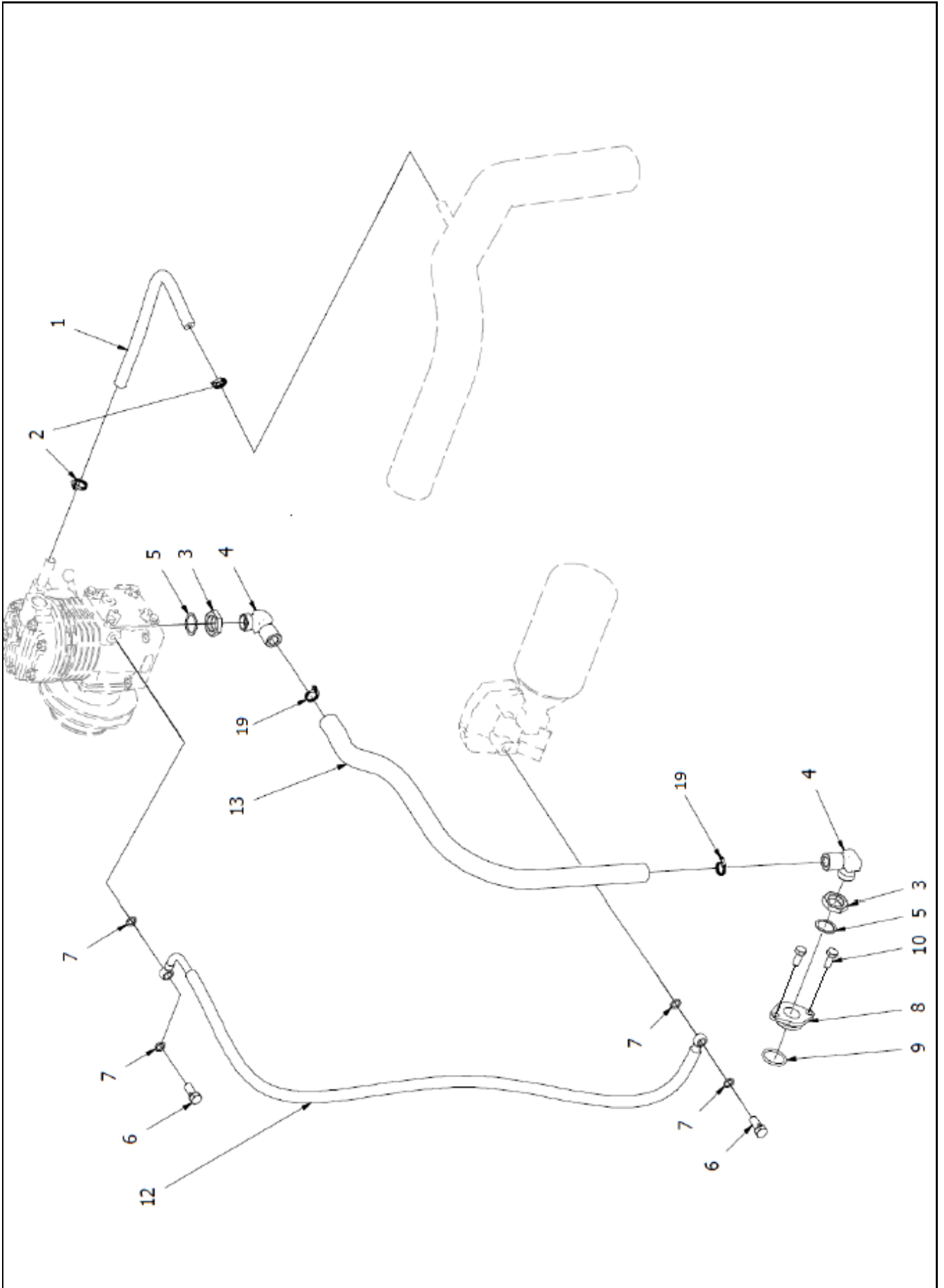


Item	Part No	Part Name	Qty.	Remarks
15	P5031691394	Flat washer 8	3	
16	P5031691395	Bolt M8x60-8.8-B Fe/Zn5	3	
29	P5031691396	Distributor bracket	1	
33	P5031691397	Quick coupling bracket	1	
42	P5031691398	Distributor	1	
43	P5031691399	Hydraulic coupler	4	
44	P5031691400	Nut	4	
45	P5031691401	Ring	1	
46	P5031691402	Cu washer	1	
47	P5031691403	Elbow connector G3.8"-19 M18x1,5	6	
48	P5031691404	Lock nut G3/8"-19	6	
49	P5031691405	Reducer	2	
51	P5031691406	Hydraulic nut M18x1,5	4	
52	P5031691407	Pipe	1	
53	P5031691408	Ring Dz-12	4	
54	P5031691409	Cu washer 16,8x24,5x2,5	5	
55	P5031691410	Support	1	
56	P5031691411	Brake pipe support	1	
57	P5031691412	Pipe(Distributor-connector)	1	
58	P5031691413	Pipe 1	1	
59	P5031691414	Pipe 2	1	
60	P5031691415	Pipe 3	1	
61	P5031691416	Pipe 4	1	
62	P5031691417	Pump connector	1	
63	P5031691418	Hydraulic pump	1	
64	P5031691419	Connector G3/8"-M18x1,5	1	
66	P5031691420	O-ring 17,3x2,4	2	
67	P5031691421	Counter nut G1/2"-14	1	
68	P5031691422	Elbow connector G1/2"-14/3/4"-16	1	
69	P5031691423	Support	1	
70	P5031691424	Bolt M6x16	2	
71	P5031691425	Connector M18x1,5/ 3/4"-16UNF	1	
73	P5031691426	Hydraulic pipe	1	
74	P5031691427	Support	1	
76	P5031691428	Cu washer 17x22	2	
77	P5031691429	Connector G/8"/3/4"-16	1	
78	P5031691430	Hydraulic pipe	1	
86	P5031691431	Hydraulic pipe	1	



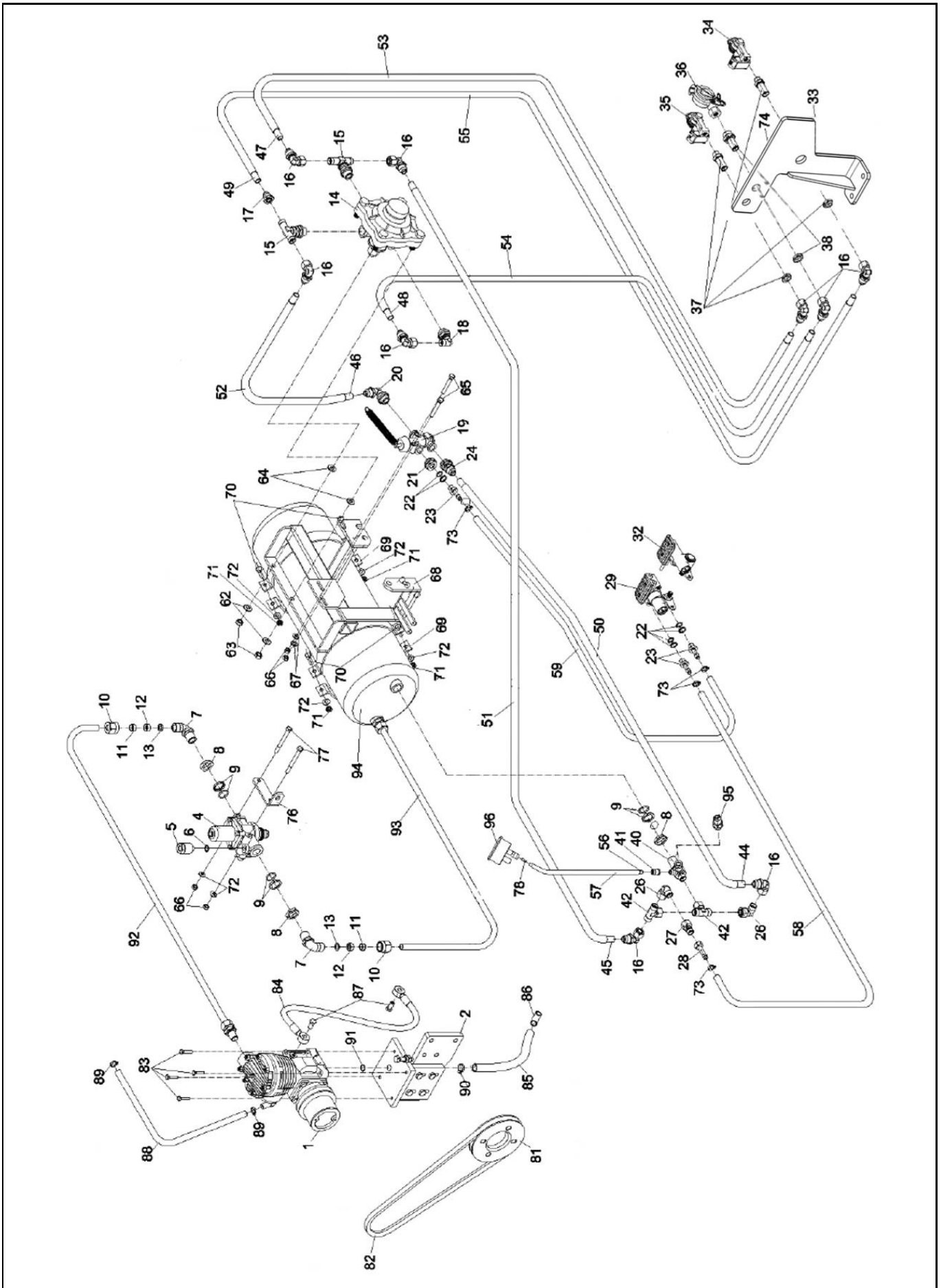
Item	Part No	Part Name	Qty.	Remarks
1	P5031791320	Quickcoupler	1	
2	P5031791321	Connector M22x1,5/M18x1,5	1	
3	P5031791322	Gasket 22x27x1,5	3	
4	P5031791323	Support	1	
5	P5031791324	Bolt M10x30	2	
6	P5031791325	Spring washer 10	2	
7	P5031791326	Support	1	
8	P5031791327	Locknut M22x1,5	2	
9	P5031791328	Pneumatic pipe L860	1	
10	P5031791329	Pressure switch	1	
11	P5031791330	Cu washer 12,2x17x1,5	1	
12	P5031791331	Air tank	1	
13	P5031791332	Drain plug	1	
14	P5031791333	Connector M22x1,5	2	
15	P5031791334	Nut M22x1,5	6	
16	P5031791335	Ring 15	6	
17	P5031791336	Four way connector	1	
18	P5031791337	Brake valve	1	
19	P5031791338	Gasket 22x28x1,5	4	
20	P5031791339	Air tank support	1	
21	P5031791340	Clamp	5	
22	P5031791341	Bolt M8x55	1	
23	P5031791342	Tube	1	
24	P5031791343	Pneumatic connector	1	
25	P5031791344	Pneumatic connector	2	
26	P5031791345	Bolt M8x25	2	
27	P5031791346	Spring washer 8	12	
28	P5031791347	Nut M8	6	
29	P5031791348	Connector	2	
30	P5031791349	Valve	1	
31	P5031791350	Pressure regulator	1	
32	P5031791351	Pressure regulator support	1	
33	P5031791352	Bolt M8x80	2	
34	P5031791353	Pipe I	1	
35	P5031791354	Tube II	1	
36	P5031791355	Tube III	1	
37	P5031791356	Pipe II	1	
38	P5031791357	Pipe III	1	
39	P5031791358	Support	1	
40	P5031791359	Compressor support	1	
41	P5031791360	Compressor	1	
42	P5031791361	V-belt A950 type	1	
43	P5031791362	Bolt M10x50	1	

44	P5031791363	Nut M10	1
45	P5031791364	Compressor support washer	4
46	P5031791365	Bolt M10x40	4
47	P5031791366	Bolt M8x35	4
48	P5031791367	Flat washer 8	4
49	P5031791368	Pneumatic pedals	1



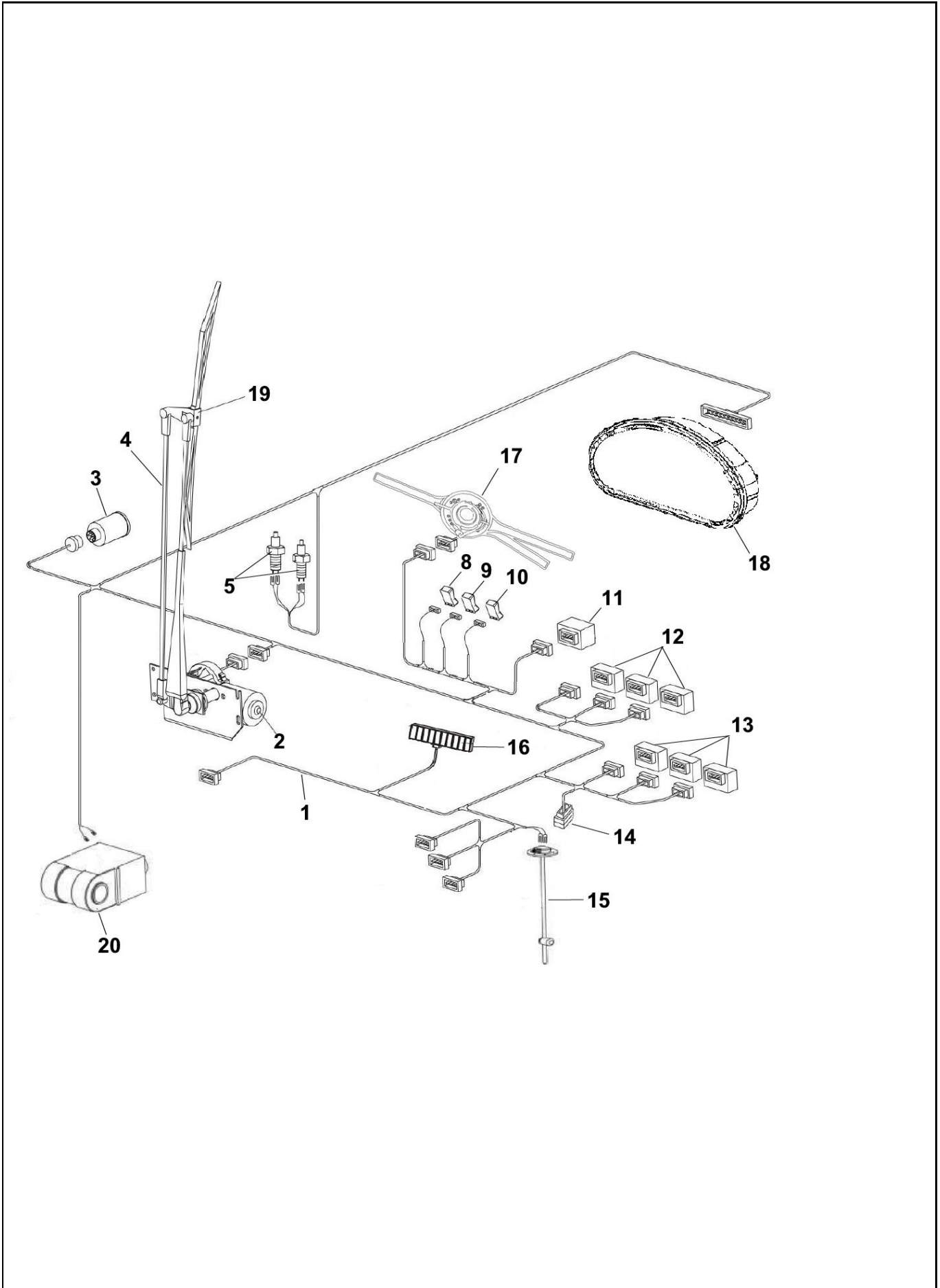
Compressor lubrication**03.17.102**

Item	Part No	Part Name	Qty.	Remarks
1	P5031791369	Hose \varnothing 16 \varnothing 22	1	
2	P5031791370	Clamp	2	
3	P5031791371	Nut M22x1,5	2	
4	P5031791372	Connector M22x1,5/M22x1,5	2	
5	P5031791373	O'ring	2	
6	P5031791374	Banjo bolt M10x1	2	
7	P5031791375	Cu washer 10	4	
8	P5031791376	Plate	1	
9	P5031791377	O'ring 30,2x3	1	
10	P5031791378	Screw M8x20	2	
12	P5031791380	Hose L-1000	1	
13	P5031791381	Oil drain hose	1	
19	P5031791730	Clamp	2	



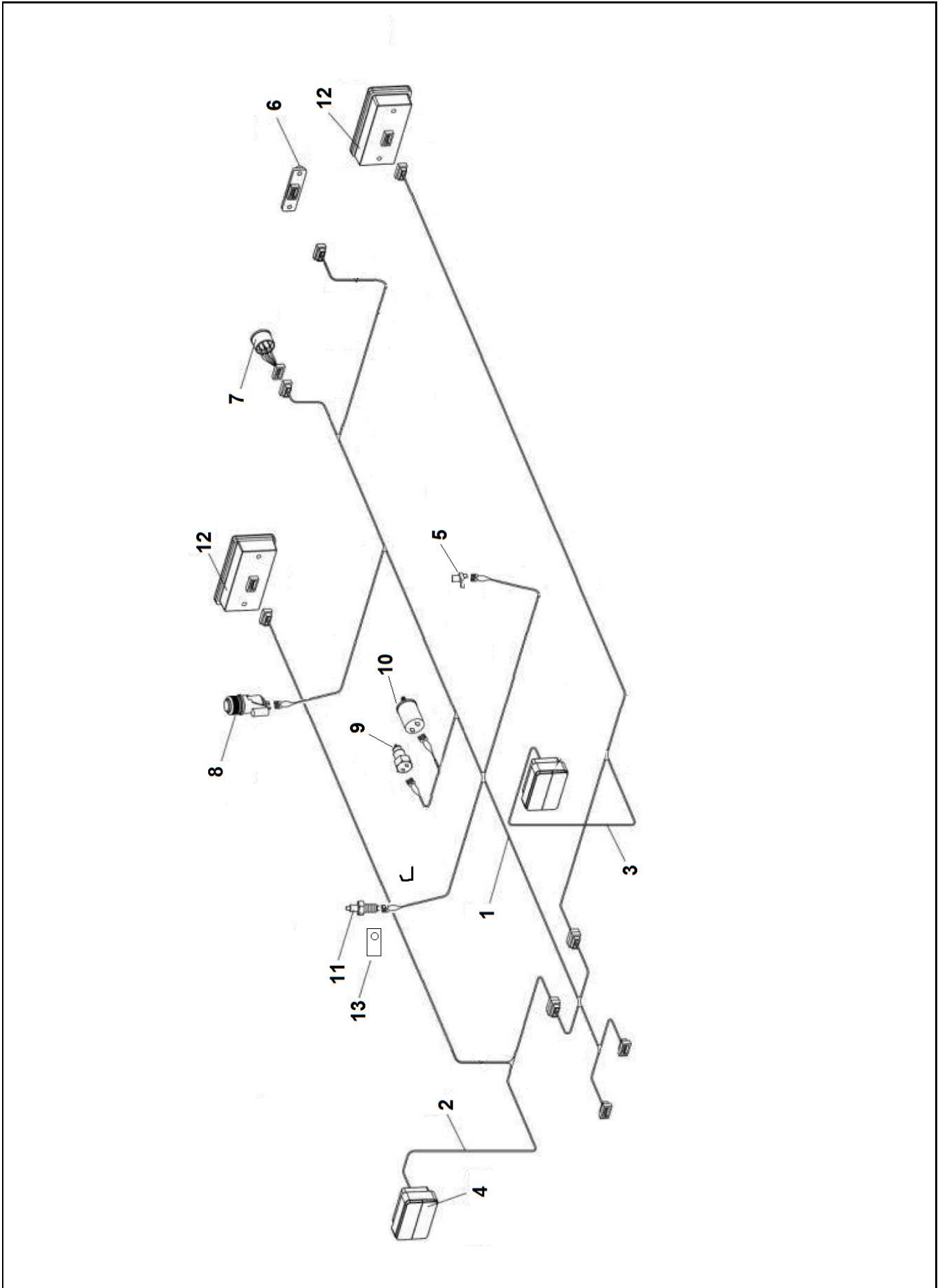
Item	Part No	Part Name	Qty.	Remarks
0	P5031790481	Pneumatic instalation assy	1	
1	P5031790482	Compressor	1	
2	P5031790483	Compressor bracket	1	
3	P5031790484	Compressor plate	1	
4	P5031790485	Pressure regulator	1	
5	P5031790486	Safety-valve	1	
6	P5031790487	Sealing ring A12x15,5x1	1	
7	P5031790488	Elbow coupling M12x1,5	2	
8	P5031790489	Short nut M33x1,5	3	
9	P5031790490	Ring & o'ring for thread M22	3	
10	P5031790491	Nut M22x1,5 L15	2	
11	P5031790492	Lock ring	2	
12	P5031790493	Lock ring	2	
13	P5031790494	Sealing ring	2	
14	P5031790495	Bracke valve	1	
15	P5031790496	Connector M22x1,5/M18x1,5/M18x1,5	2	
16	P5031790497	Elbow coupling M18x1,5	2	
17	P5031790498	Adapter M12x1,5 do d12x1,5	1	
18	P5031790499	Ebow adapter assy	9	
19	P5031790500	Hand bracke valve	1	
20	P5031790501	Ebow adapter M22x1,5 / d12x1,5	1	
21	P5031790502	Adapter M22/x1,5/M14x1,5	1	
22	P5031790503	Ring & o'ring for thread M14	3	
23	P5031790504	Pipe tip d9/M14x1,5	3	
24	P5031790505	Adapter M22/x1,5/d12x1,5	1	
26	P5031790506	Ebow adapter M18x1,5 / M18x1,5	2	
27	P5031790507	Adapter M16/x1,5/M18x1,5	1	
28	P5031790508	Pipe tip d9/M16x1,5	1	
29	P5031790509	Valve	1	
32	P5031790510	Levelling mechanism	1	
33	P5031790511	Coupling bracket	1	
34	P5031790512	Coupling	1	
35	P5031790513	Coupling	1	
36	P5031790514	Coupling	1	
37	P5031790515	Adapter M16/x1,5/M18x1,5	1	
38	P5031790516	Adapter M22/x1,5/M18x1,5	1	
40	P5031790517	Crocc connector	1	
41	P5031790518	Adapter M12/x1,5/d6x1	1	
42	P5031790519	Connector M18x1,5	2	
44	P5031790520	Pipe PA12 d12x1,5x270	1	
45	P5031790521	Pipe PA12 d12x1,5x470	1	
46	P5031790522	Pipe PA12 d12x1,5x300	1	
47	P5031790523	Pipe PA12 d12x1,5x640	1	

48	P5031790524	Pipe PA12 d12x1,5x820	1
49	P5031790525	Pipe PA12 d12x1,5x890	1
50	P5031790526	Protective pipe d12x235	1
51	P5031790527	Protective pipe d12x236	1
52	P5031790528	Protective pipe d12x237	1
53	P5031790529	Protective pipe d12x238	1
54	P5031790530	Protective pipe d12x239	1
55	P5031790531	Protective pipe d12x240	1
56	P5031790532	Pipe PA12 d6x1x3000	1
57	P5031790533	Protective pipe d12x242	1
58	P5031790534	Rubber pipe 1,5 m	1
59	P5031790535	Rubber pipe 1,7 m	1
62	P5031790536	Washer Rip Lock M10	2
63	P5031790537	Nut M10-8-Fe/Zn5	2
64	P5031790538	Washer 10,5-Fe /Zn5	2
65	P5031790539	Bolt M8x55-8,8-Fe/Zn	2
66	P5031790540	Nut M8-8-Fe/Zn5	8
67	P5031790541	Washer 8,5-Fe /Zn5	2
68	P5031790542	Air tank bracket	1
69	P5031790543	Clamp	1
70	P5031790544	Bolt M8x35-8,8-Fe/Zn	4
72	P5031790545	Washer Rip Lock M10	6
73	P5031790546	Clamp Ap 12-20	4
75	P5031790547	Hollow rivet	2
76	P5031790548	Regulator bracket	1
77	P5031790549	Bolt M8x75-8,8-Fe/Zn	1
81	P5031790550	Compressor pulley	1
82	P5031790551	Belt	1
83	P5031790552	Bolt	4
84	P5031790553	Oil pipe - feeding	1
85	P5031790554	Leak-off oil pipe	1
86	P5031790555	Leak-off oil pipe tip	1
87	P5031790556	Eye bolt M10	2
88	P5031790557	Compressor pipe	1
89	P5031790558	Clamp	2
90	P5031790559	Clamp	1
91	P5031790560	Sealing ring	1
92	P5031790561	Regulator pipe & tip	1
93	P5031790562	Tank pipe & tip	1
94	P5031790563	Air tank V=15l	1
95	P5031790564	Tank plug	1
96	P5031790565	Manometer	1
97	P5031790566	Manometer	1



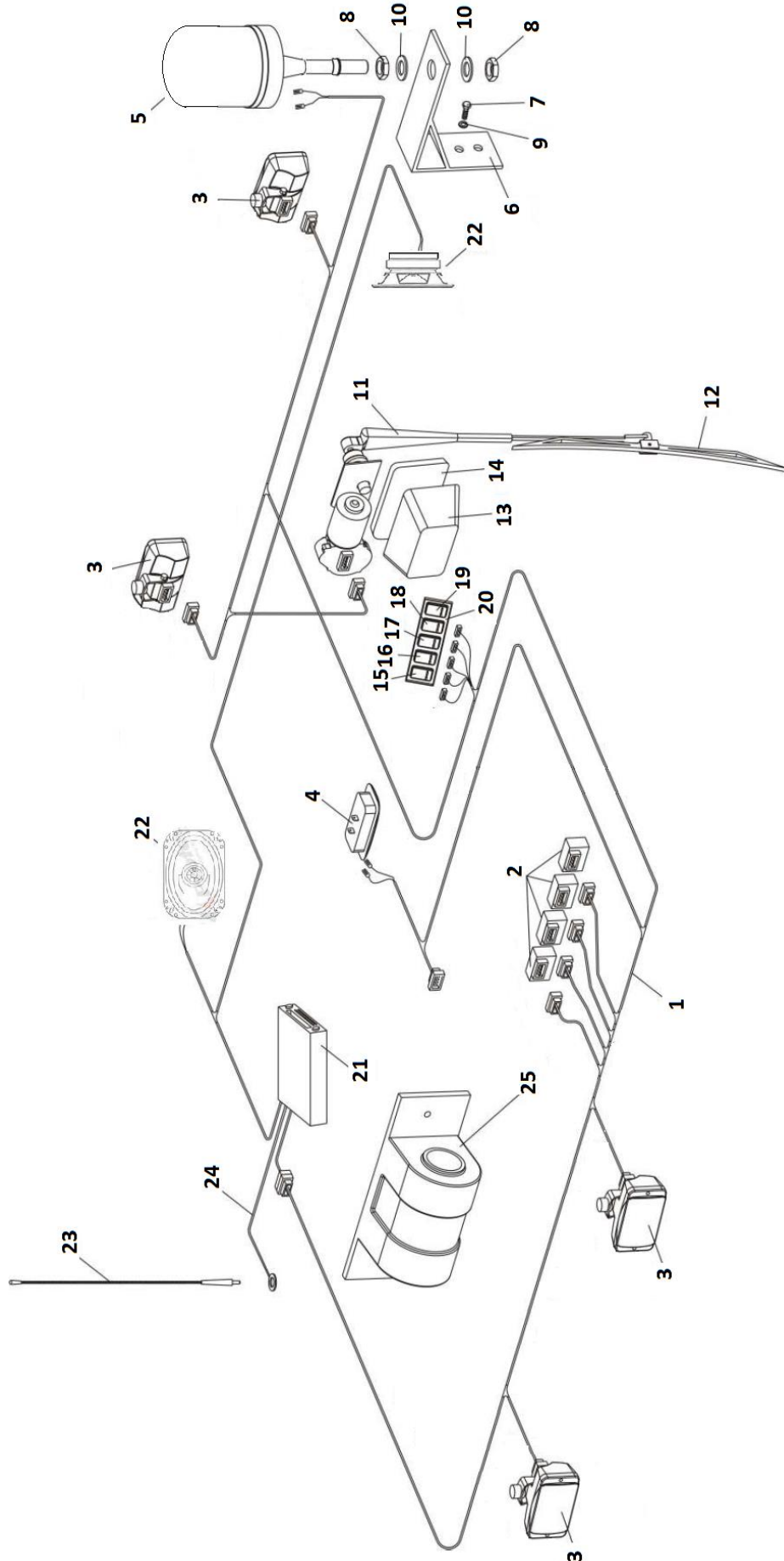
Main wiring**03.18.078**

Item	Part No	Part Name	Qty.	Remarks
1	P5031891087	Wiring harness	1	
2	P5031891088	Wiper Engine	1	
3	P5031891089	Ignition lock	1	
4	P5031891090	Windscreen wiper arm	1	
5	P5031891091	STOP light switch	2	
8	P5031891094	Fan switch	1	
9	P5031891095	Light switch	1	
10	P5031891096	Emergency light switch	1	
11	P5031891097	Pulsed oscillator	1	
12	P5031891098	Relay of light	3	
13	P5031891099	Relay	3	
14	P5031891100	Glow plug fuse socket	1	
15	P5031891101	Fuel level sensor	1	
16	P5031891102	Fuse box	1	
17	P5031891103	Combined switch	1	
18	P5031891104	Instrument panel	1	
19	P5031891105	Wiper blade	1	
20	P5031891106	Heater	1	



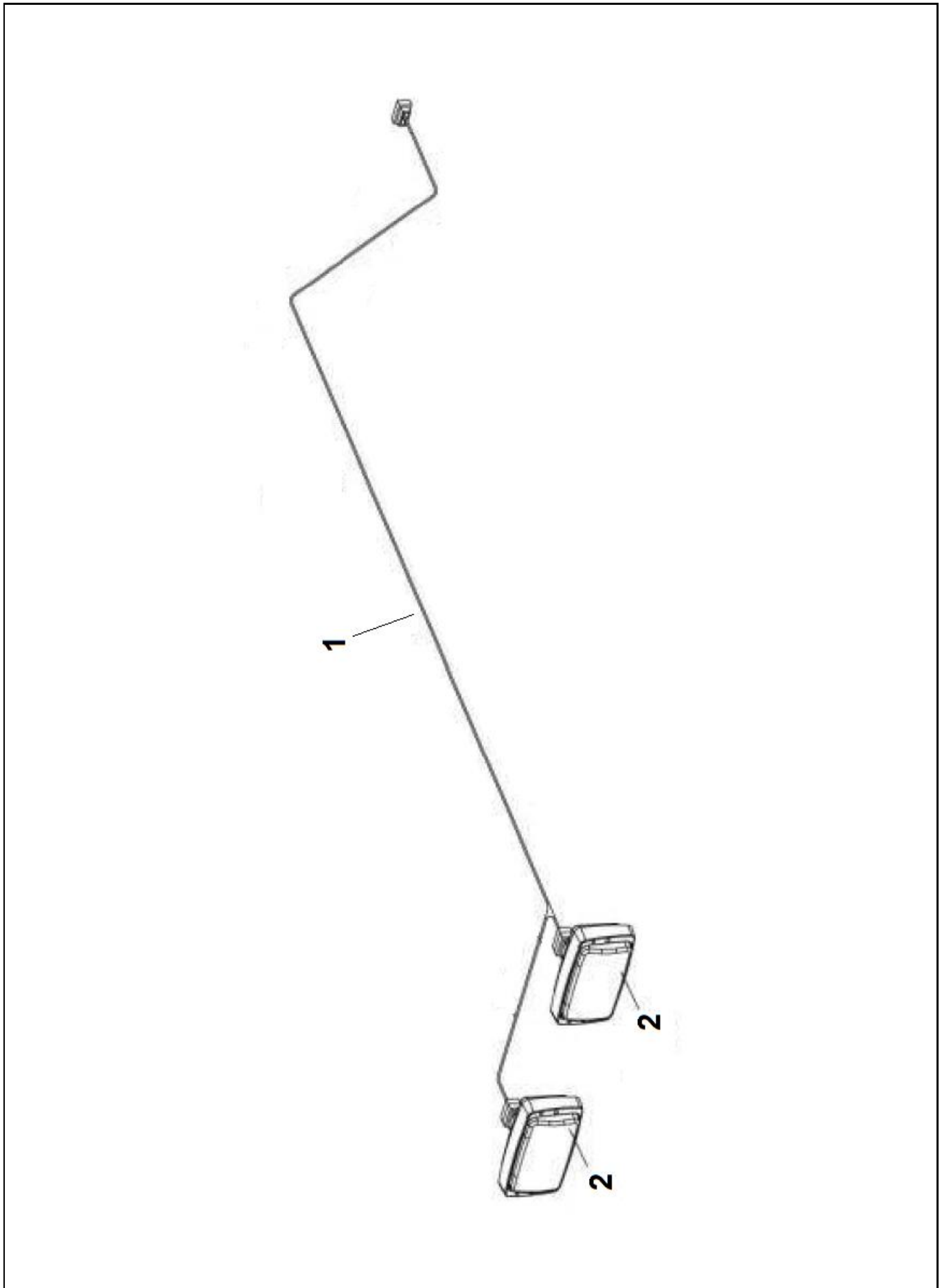
Rear wiring**03.18.080**

Item	Part No	Part Name	Qty.	Remarks
1	P5031891075	Wire harness	1	
2	P5031891076	Wiring RHS	1	
3	P5031891077	Wiring LHS	1	
4	P5031891078	Front Light	2	
5	P5031891079	Hand brake indicator	1	
6	P5031891080	Registration plate lamp	1	
7	P5031891081	Connector	1	
8	P5031891082	Lighter	1	
9	P5031891083	Air pressure drop sensor	1	
10	P5031891084	Air pressure sensor	1	
11	P5031891085	Differential lock engage sensor	1	
12	P5031891086	Rear Light	2	
13	P5031891731	Differential lock engage sensor bracket	1	



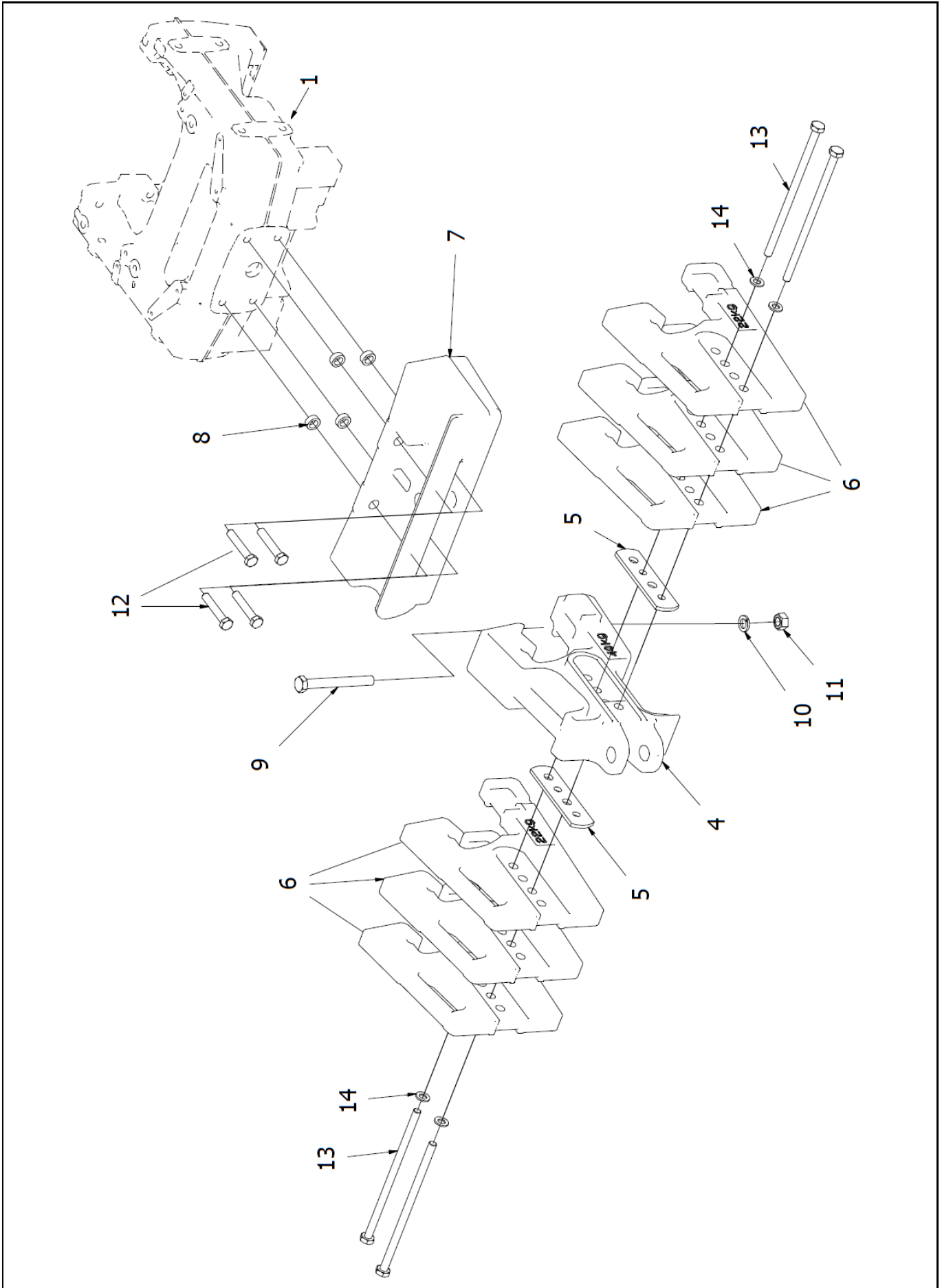
Cabin wiring**03.18.081**

Item	Part No	Part Name	Qty.	Remarks
1	P5031891107	Wiring	1	
2	P5031891108	Relay	4	
3	P5031891109	Font light	4	
4	P5031891110	Lamp	1	
5	P5031891111	Rotating lamp	1	
6	P5031891112	Bracket	1	
7	P5031891113	Bolt	2	
8	P5031891114	Nut	2	
9	P5031891115	Spring washer	2	
10	P5031891116	Washer	2	
11	P5031891117	Windscreen wiper arm	1	
12	P5031891118	Wiper blade	1	
13	P5031891119	Casing	1	
14	P5031891120	Cover	1	
15	P5031891121	Switch	1	
16	P5031891122	Switch	1	
17	P5031891123	Switch	1	
18	P5031891124	Switch	1	
19	P5031891125	Switch	1	
20	P5031891126	Bracket	1	
21	P5031891127	Player	1	
22	P5031891128	Speaker	2	
23	P5031891129	Antenna	1	
24	P5031891130	Cable	1	
25	P5031891131	Fan	1	



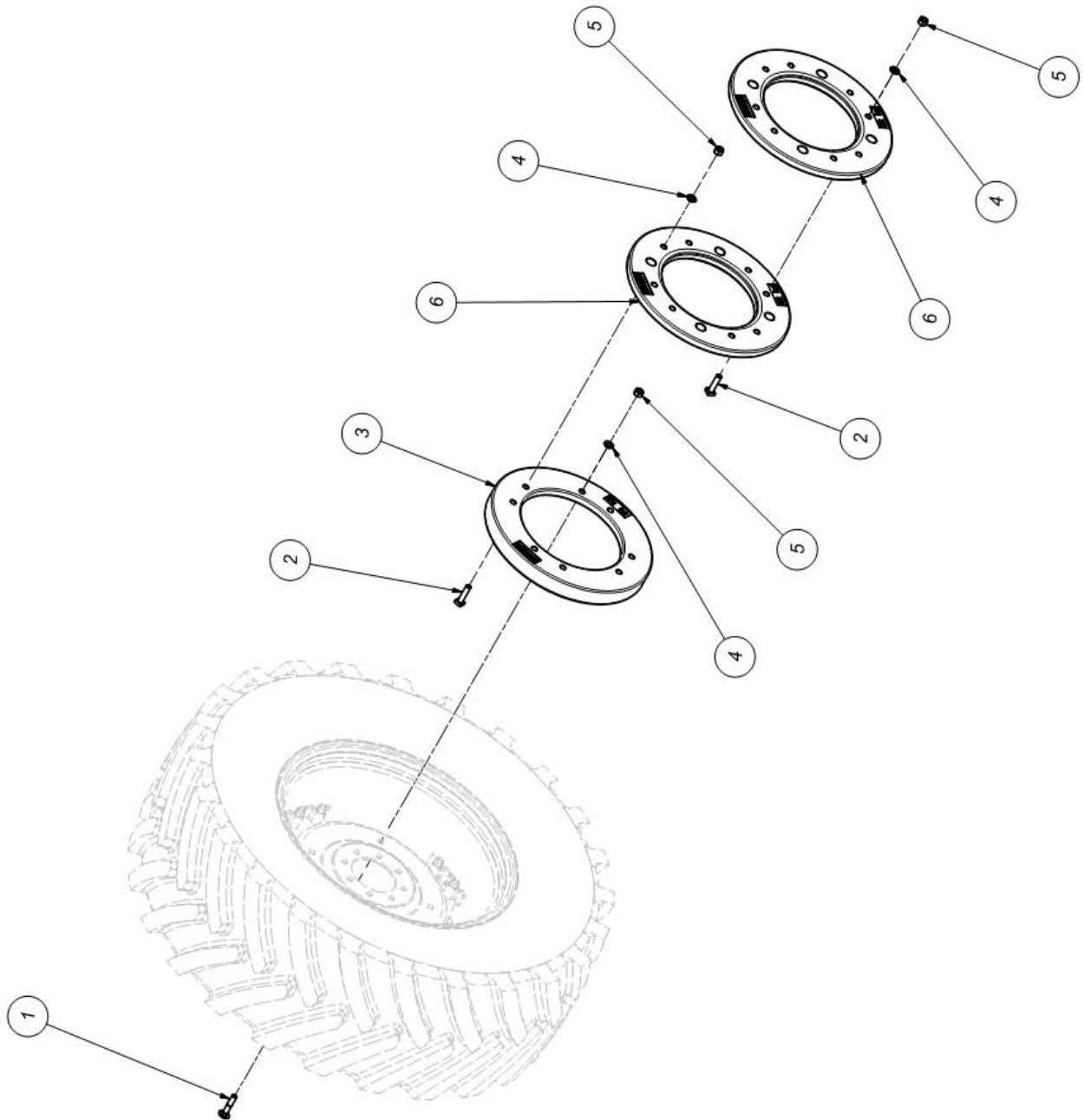
Front wiring	03.18.082
---------------------	------------------

Item	Part No	Part Name	Qty.	Remarks
1	P5031891132	Wiring	1	
2	P5031891133	Head light	2	



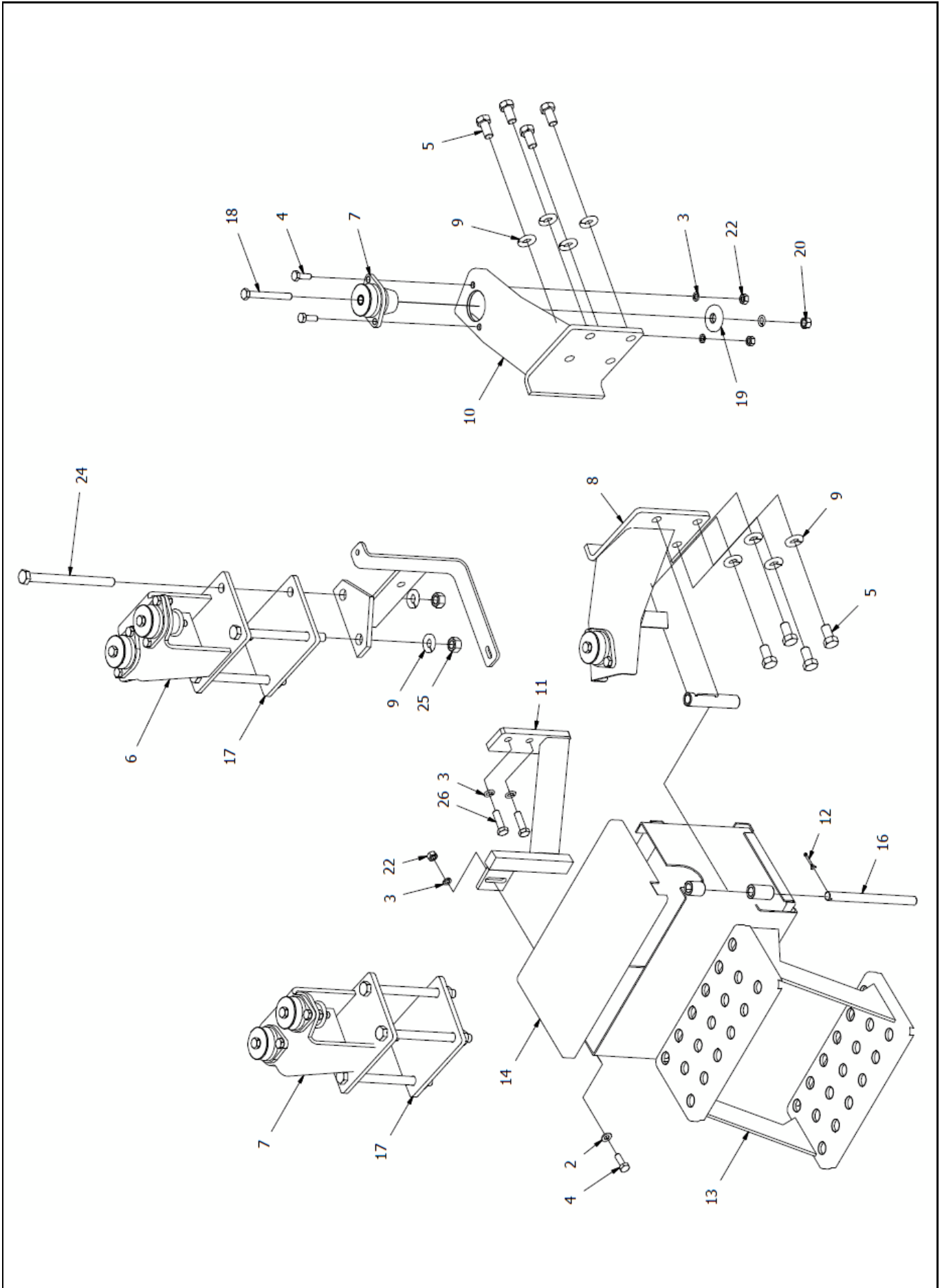
Front weight**03.19.063**

Item	Part No	Part Name	Qty.	Remarks
1	P5031991244	Front axle support	1	
4	P5031991245	Front weight 40kg	1	
5	P5031991246	Mounting plate	2	
6	P5031991247	Front weight 22kg	6	
7	P5031991248	Weights support	1	
8	P5031991249	Sleeve	4	
9	P5031991250	Bolt M20x170-8.8	1	
10	P5031991251	Spring washer 20,5	1	
11	P5031991252	Nut M20	1	
12	P5031991253	Bolt M16x90	4	
13	P5031991254	Weights bolt M16x260	4	
14	P5031991255	Washer 16	4	



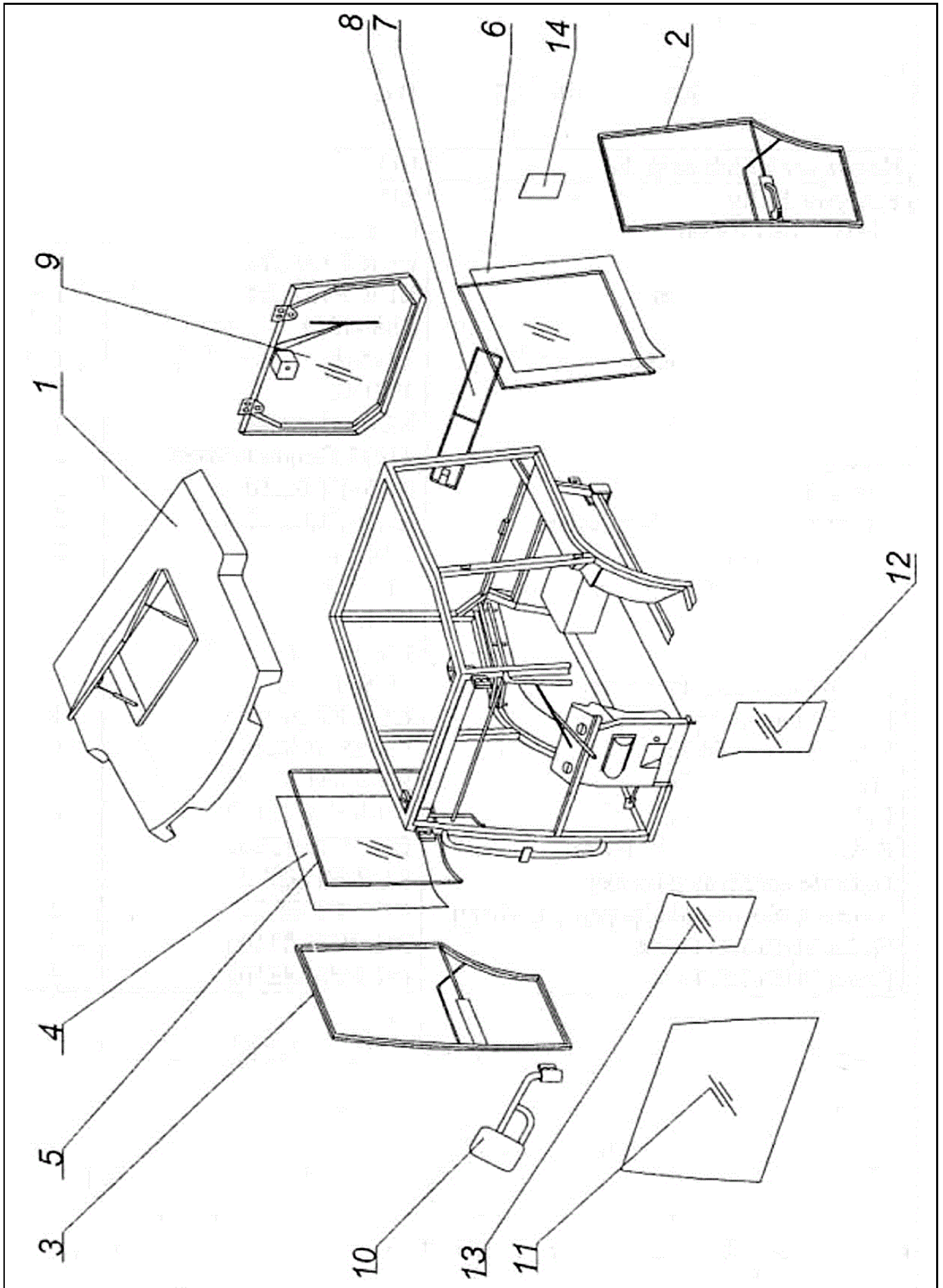
Rear weel weight**03.19.085**

Item	Part No	Part Name	Qty.	Remarks
1	P5031990072	Special square bolt	4	
2	P5031990073	Bolt square head	8	
3	P5031991157	Weight rear wheel main 39 kg	1	
4	P5031990074	Washer	12	
5	P5031990075	Nut	12	
6	P5031991158	Weight rear wheel auxiliary	2	



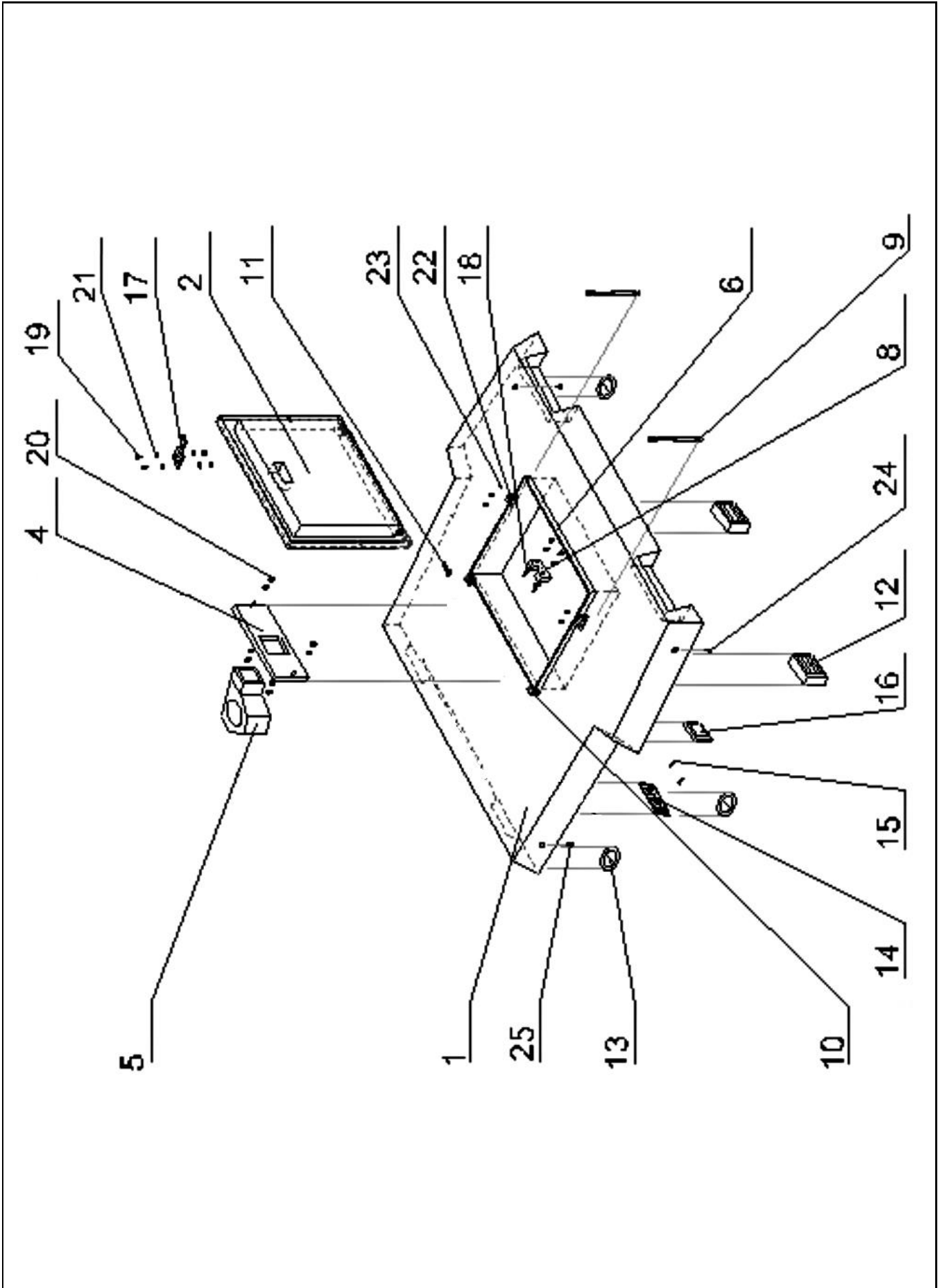
Cabin bracket**03.20.064**

Item	Part No	Part Name	Qty.	Remarks
1	P5032091256	Silent block	4	
2	P5032091257	Flat washer 10	1	
3	P5032091258	Spring washer 10	21	
4	P5032091259	Bolt M10x30	21	
5	P5032091260	Bolt 5/8"-18 x 8" Fe/Zn	8	
6	P5032091261	Rear left cabin support	1	
7	P5032091262	Rear right cabin support	1	
8	P5032091263	Front right cabin support	1	
9	P5032091264	Spring washer 16	16	
10	P5032091265	Front left cabin support	1	
11	P5032091266	Battery box support	1	
12	P5032091267	Cotter pin4x50	1	
13	P5032091268	Battery box	1	
14	P5032091269	Battery box cover	1	
16	P5032091270	Pin	1	
17	P5032091271	Plate	2	
18	P5032091272	Bolt M12x100	6	
19	P5032091273	Washer	6	
20	P5032091274	Nut M12	6	
22	P5032091275	Nut M10	13	
24	P5032091276	Bolt M16x200	8	
25	P5032091277	Nut M16	8	
26	P5032091278	Bolt M12x40	2	

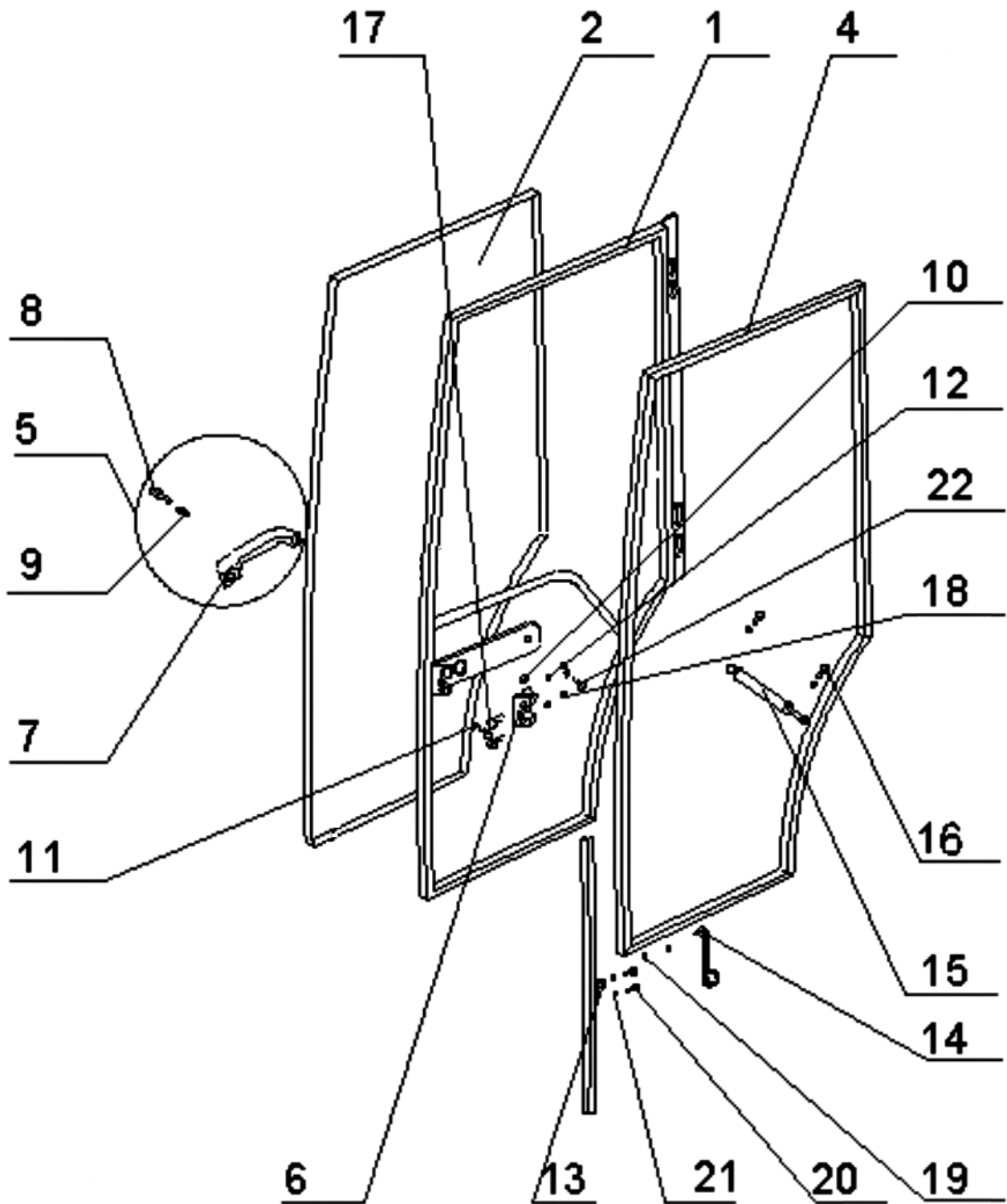


Cabin assy.**03.20.087**

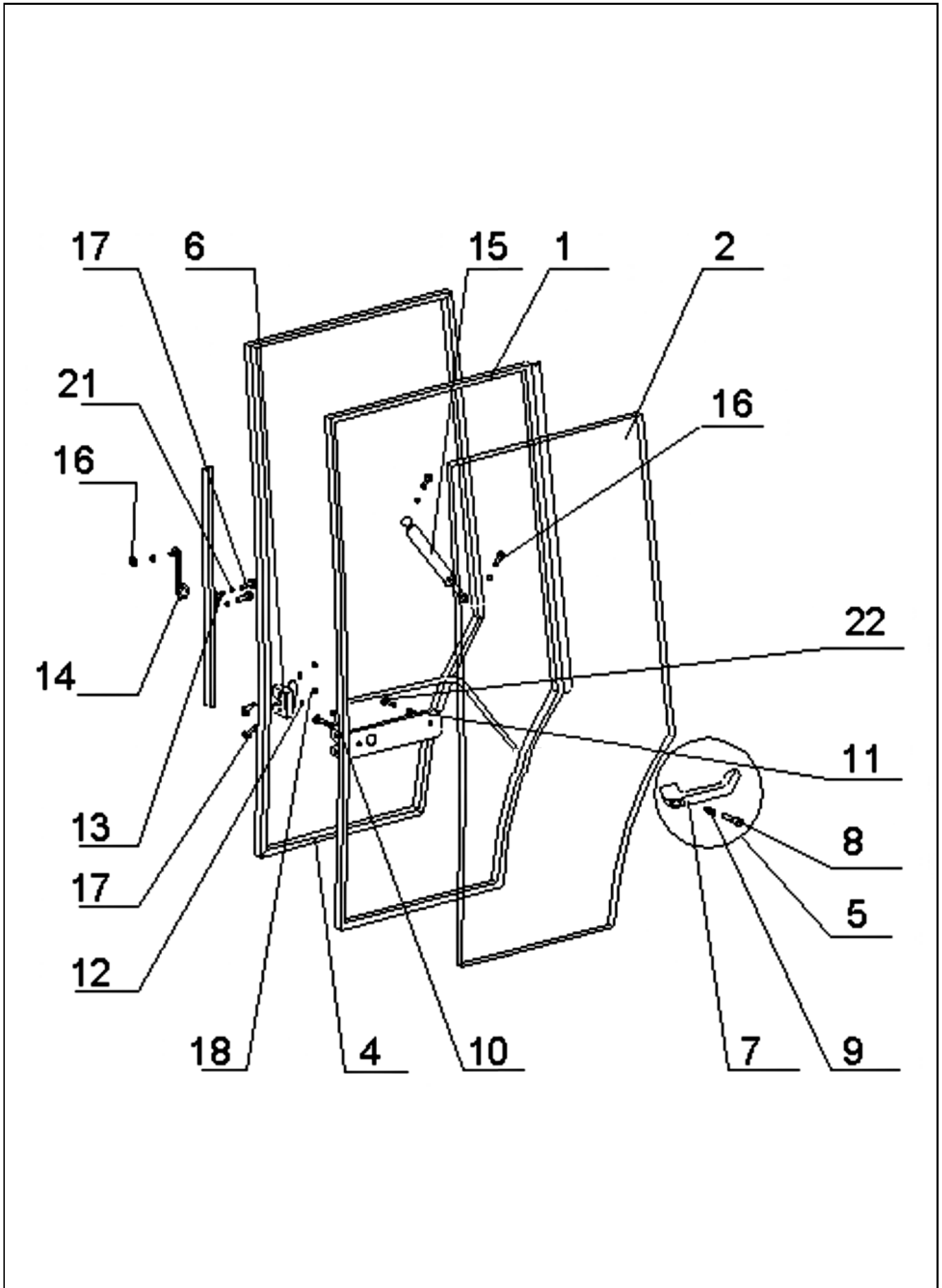
Item	Part No	Part Name	Qty.	Remarks
1	P5032091560	Roof assy.	1	
2	P5032091561	Left door assy.	1	
3	P5032091562	Right door assy.	1	
4	P5032091563	Right side window	1	
5	P5032091564	Right side window gasket	1	
6	P5032091565	Left side window	1	
7	P5032091566	Left side window gasket	1	
8	P5032091567	Sliding / not slaiding rear glass assy.	1	
9	P5032091568	Rear hatch assy.	1	
10	P5032091569	Rear view mirror assy.	1	
11	P5032091570	Windscreen	1	
12	P5032091571	Windscreen small left	1	
13	P5032091572	Windscreen small right	1	
14	P5032091573	Registration plate bracket	1	



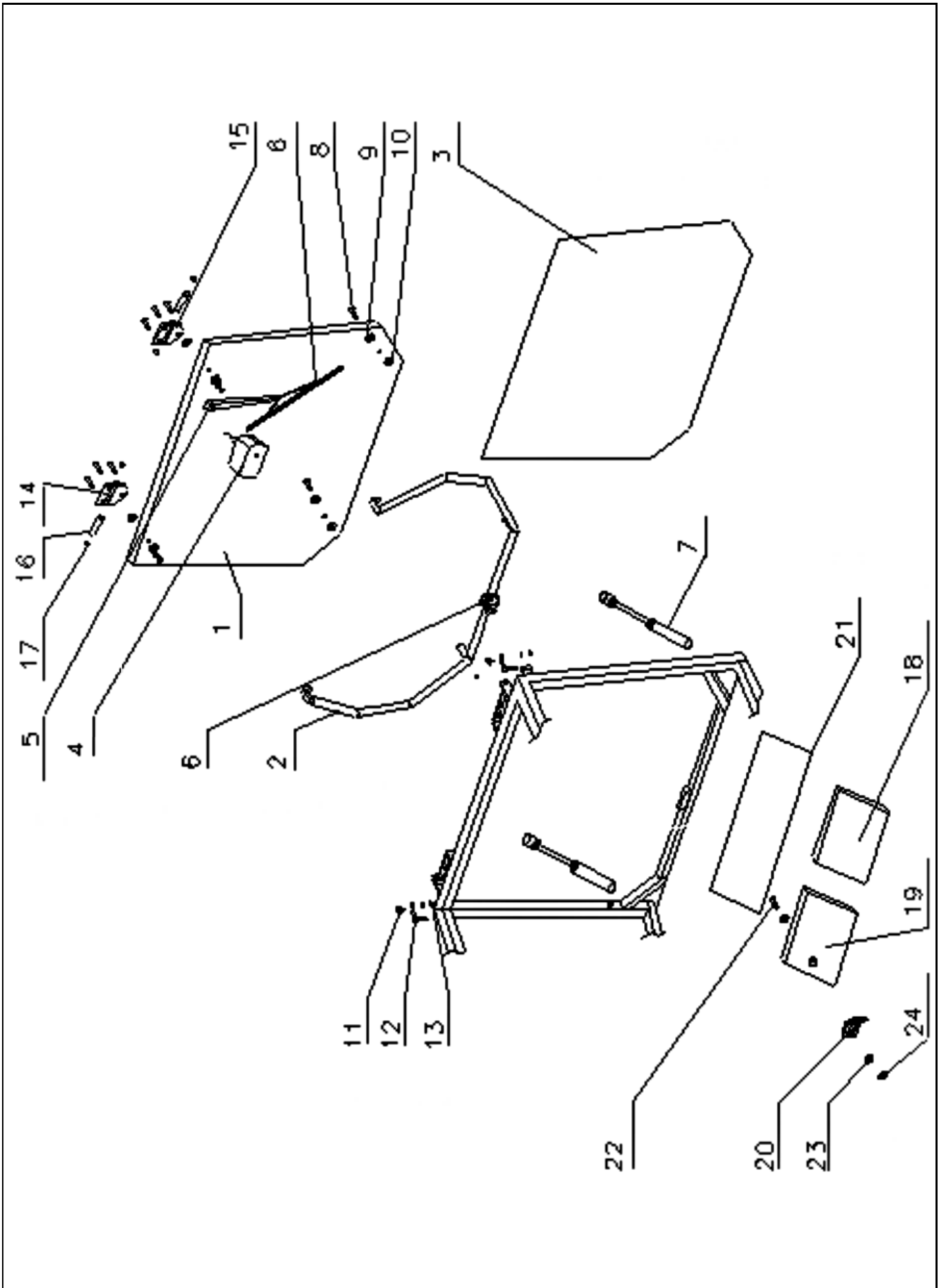
Item	Part No	Part Name	Qty.	Remarks
1	P5032091574	Roof Cover	1	
2	P5032091575	Roof flap	1	
4	P5032091576	Fan Base	1	
5	P5032091577	Fan	1	
6	P5032091578	Roof glas flap gasket	1	
8	P5032091579	Roof flap lock	1	
9	P5032091580	Gas spring	2	
10	P5032091581	Roof glas flap hinge	2	
11	P5032091582	Roof glas hinge pin	2	
12	P5032091583	Air diffuser assy.	2	
13	P5032091584	Air diffuser	4	
14	P5032091585	Combined Switches	1	
15	P5032091586	Screw 5.5 x25 Fe/ Zn	2	
16	P5032091587	Internal light	1	
17	P5032091588	Roof lock clap	1	
18	P5032091589	Screw M6x35 Fe / Zn	8	
19	P5032091590	Bolt M6x20 Fe / Zn	4	
20	P5032091591	Nut M6 Fe / Zn	8	
21	P5032091592	Round Washer 6.4 Fe / Zn	14	
22	P5032091593	Gas Spring Seat	2	
23	P5032091594	Gas spring mounting bolt	2	
24	P5032091595	Bolt M 10x120 Fe / Zn	2	
25	P5032091596	Bolt M 10x100 Fe / Zn	2	



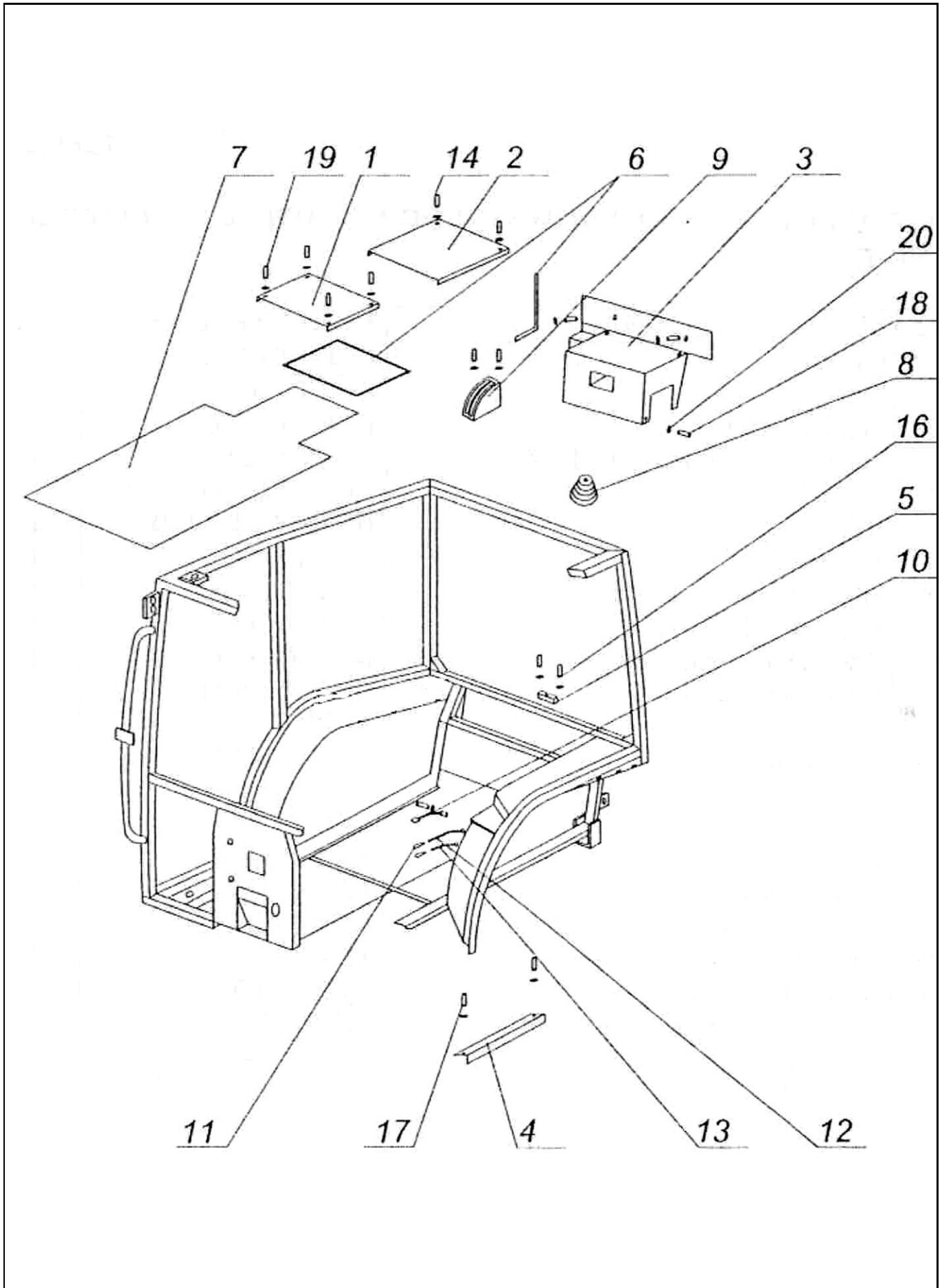
Item	Part No	Part Name	Qty.	Remarks
1	P5032091597	Frame left door	1	
2	P5032091598	Glass Door	1	
4	P5032091599	Door gasket	1	
5	P5032091600	Handle with insert the key	1	
6	P5032091601	Locking without blockade	1	
7	P5032091602	Handle	1	
8	P5032091603	Key Insert	1	
9	P5032091604	Pad spring	1	
10	P5032091605	Key Insert snap ring Z16	1	
11	P5032091606	Plastic washer	1	
12	P5032091607	Spring washer Z 6.1 Fe / Zn	2	
13	P5032091608	Lock bow	2	
14	P5032091609	Door stop	1	
15	P5032091610	Gas spring	1	
16	P5032091611	Gas spring mounting bolt	1	
17	P5032091612	Bolt M6x35 Fe/Zn	1	
18	P5032091613	Nut M6 Fe / Zn	2	
19	P5032091614	Seifiock nut M 8 Fe / Zn	2	
20	P5032091615	Bolt M6x20 Fe / Zn	2	
21	P5032091616	Round Washer Z 8.4 Fe / Zn	2	
22	P5032091617	Bolt 5.5 x25	1 2	



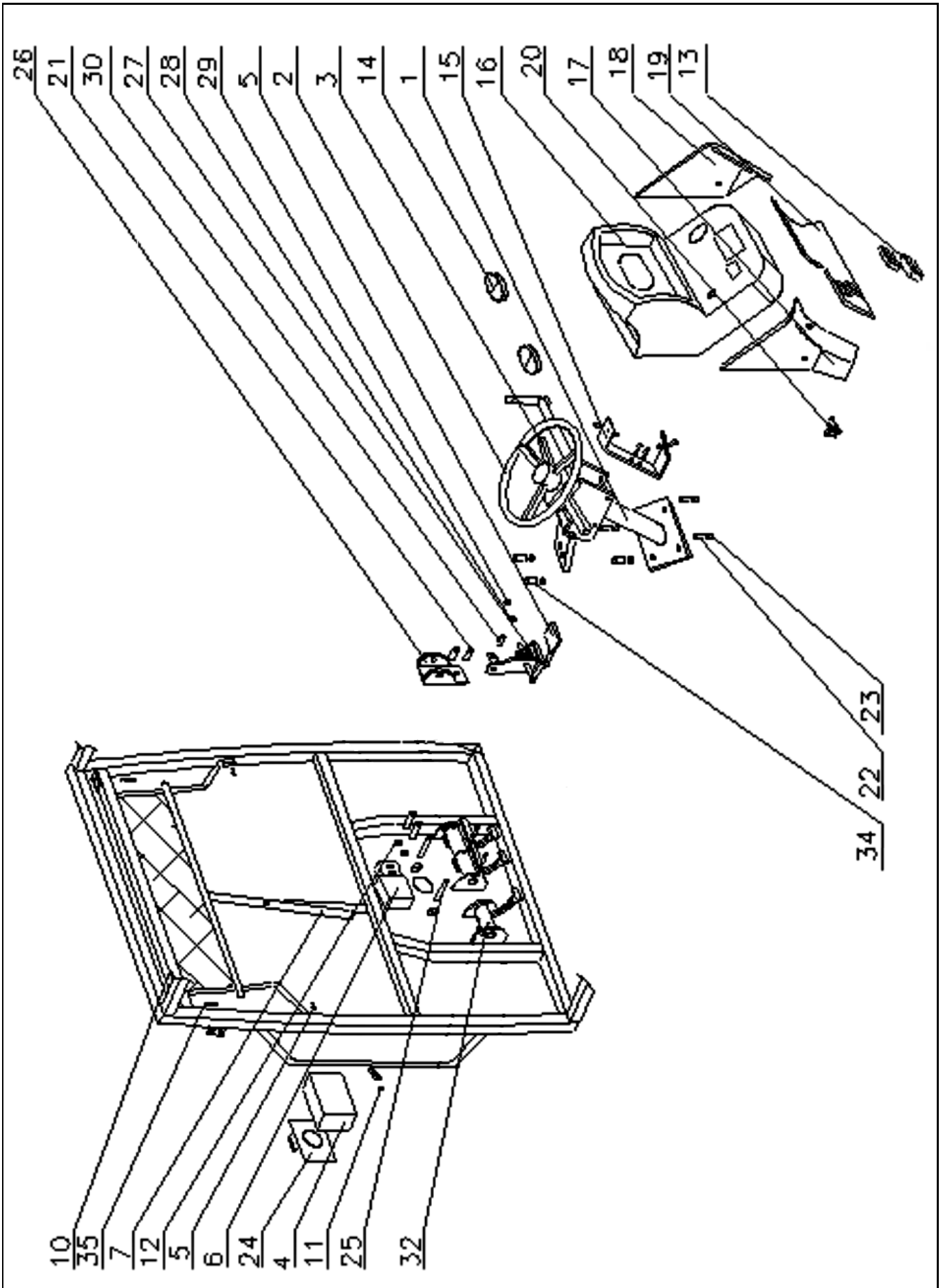
Item	Part No	Part Name	Qty.	Remarks
1	P5032091618	Frame door right	1	
2	P5032091619	Glass Door	1	
4	P5032091620	Door gasket	1	
5	P5032091621	Handle with insert the key	1	
6	P5032091622	Locking without blockade	1	
7	P5032091623	Handle	1	
8	P5032091624	Key Insert	1	
9	P5032091625	Pad spring	1	
10	P5032091626	Key Insert snap ring Z16	1	
11	P5032091627	Plastic washer	2	
12	P5032091628	Spring washer Z 6.1 Fe / Zn	2	
13	P5032091629	Lock bow	1	
14	P5032091630	Door stop	1	
15	P5032091631	Gas spring	1	
16	P5032091632	Gas spring mounting bolt	1	
17	P5032091633	Bolt M6x35 Fe/Zn	2	
18	P5032091634	Nut M6 Fe / Zn	2	
19	P5032091635	Selflock nut M 8 Fe / Zn	2	
20	P5032091636	Bolt M6x20 Fe / Zn	2	
21	P5032091637	Round Washer Z 8.4 Fe / Zn	1	
22	P5032091638	Bolt 5.5 x25	2	



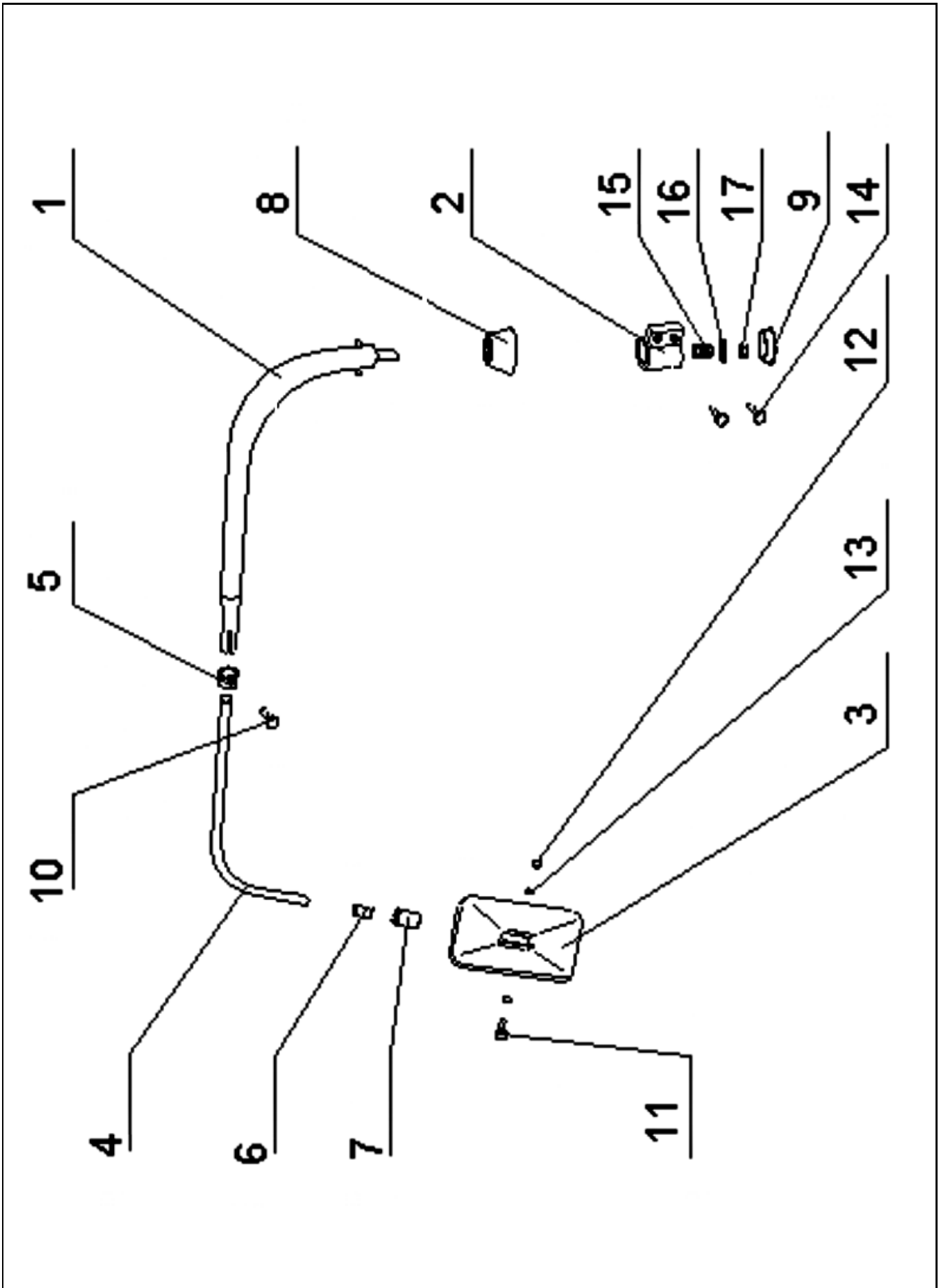
Item	Part No	Part Name	Qty.	Remarks
1	P5032090321	Rear window glass	1	
2	P5032090322	Rear window frame	1	
3	P5032090323	Window gasket	1	
4	P5032090324	Wiper mechanism	1	
5	P5032090325	Rear wiper	1	
6	P5032090326	Hoop lock	1	
7	P5032090327	Damper	2	
8	P5032090328	Screw	8	
9	P5032090329	Washer	2	
10	P5032090330	Washer	4	
11	P5032090331	Roof bracket element 1	2	
12	P5032090332	Roof bracket element 2	2	
13	P5032090333	Nut	2	
14	P5032090334	Flap 1	2	
15	P5032090335	Flap 2	2	
16	P5032090336	Pin	2	
17	P5032090337	Circlip	2	
18	P5032090338	Rear glass not sliding	1	
19	P5032090339	Rear glass sliding	1	
20	P5032090340	Rear glass sliding lock	1	
21	P5032090341	Window gasket	1	
22	P5032090342	Bolt	1	
23	P5032090364	Washer	2	
24	P5032090344	Nut	1	



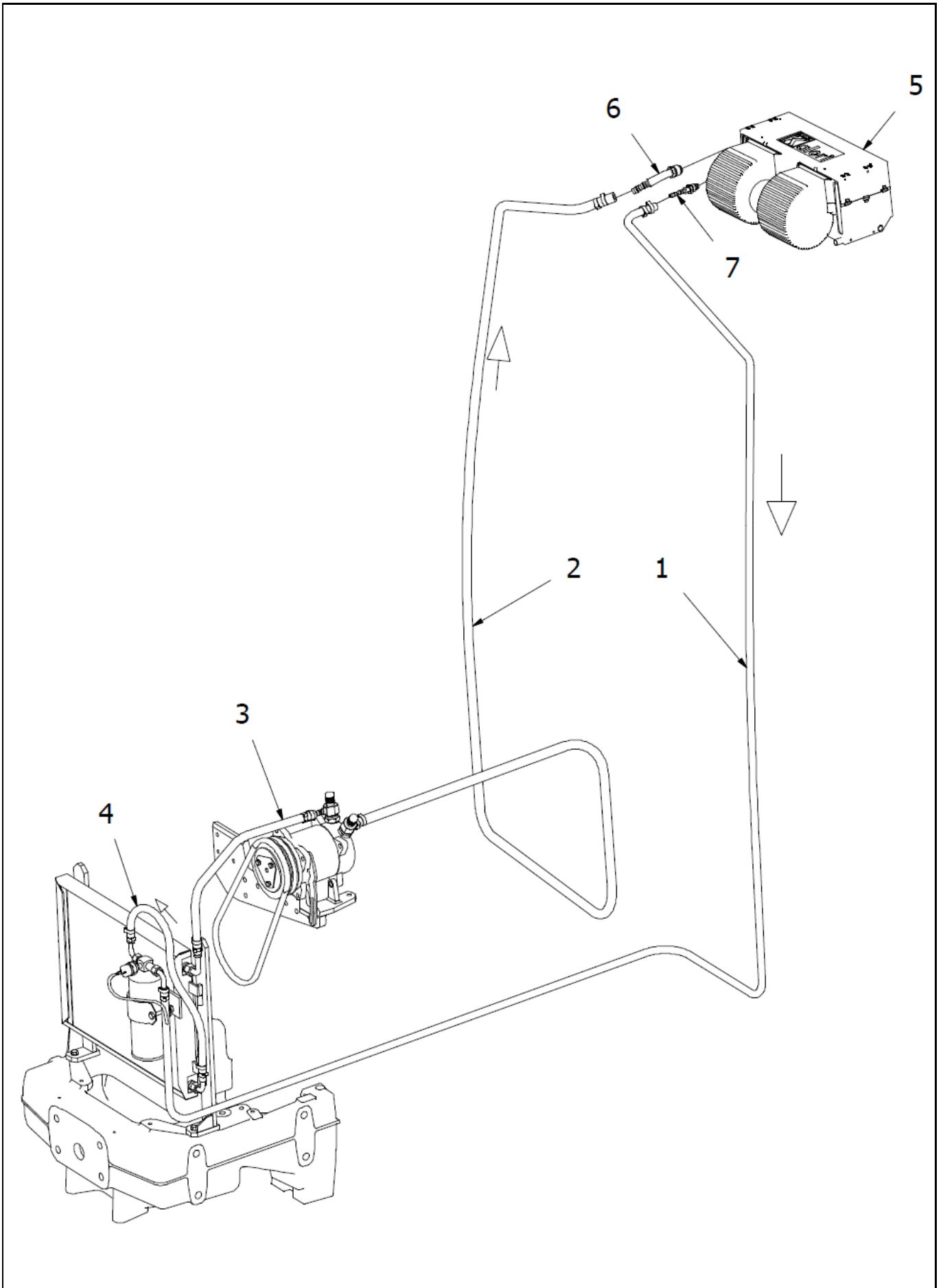
Item	Part No	Part Name	Qty.	Remarks
1	P5032090345	Floor	1	
2	P5032090346	Seat plate	1	
3	P5032090347	Seat base	1	
4	P5032090348	Angle bracket	2	
5	P5032090349	Rear window glass lock	1	
6	P5032090350	Floor gasket	3	
7	P5032090351	Rug	1	
8	P5032090352	Rubber civer	1	
9	P5032090353	Cover	1	
10	P5032090354	Differential lock pedal	1	
11	P5032090355	Knob	2	
12	P5032090356	Hand brake lever	1	
13	P5032090357	Clutch lever - dual	1	
14	P5032090358	Bolt	1	
16	P5032090360	Bolt	2	
17	P5032090361	Bolt	4	
18	P5032090362	Bolt	7	
19	P5032090363	Bolt	4	
20	P5032090364	Washer	18	



Item	Part No	Part Name	Qty.	Remarks
1	P5032090365	Steering kolumn	1	
2	P5032090366	Steering wheel	1	
3	P5032090367	Switch assy (indicator & lighs)	1	
4	P5032090368	Heater	1	
5	P5032090369	Acceleration pedal	1	
6	P5032090370	Wiper mechanism	1	
7	P5032090371	Wiper	1	
10	P5032090372	Sunshade	1	
11	P5032090373	Bush	2	
12	P5032090374	Bush	2	
13	P5032090375	Fan element assy	2	
14	P5032090376	Fan element	2	
15	P5032090377	Bracket	1	
16	P5032090378	Upper cover	1	
17	P5032090379	Left side cover	1	
18	P5032090380	Right side civer	1	
19	P5032090381	Down civer	1	
20	P5032090382	Knob	4	
21	P5032090383	Bolt	1	
22	P5032090384	Bolt	4	
23	P5032090297	Washer	6	
24	P5032090386	Front cover	1	
25	P5032090387	Pin	2	
26	P5032090388	Acceleration pedal bracket	1	
27	P5032090389	Spring	1	
28	P5032090390	Washer	1	
29	P5032090391	Circlip	1	
30	P5032090392	Rubber pad	1	
32	P5032090393	Grease nipple	2	
34	P5032090394	Bolt	2	
35	P5032090395	Bolt	4	

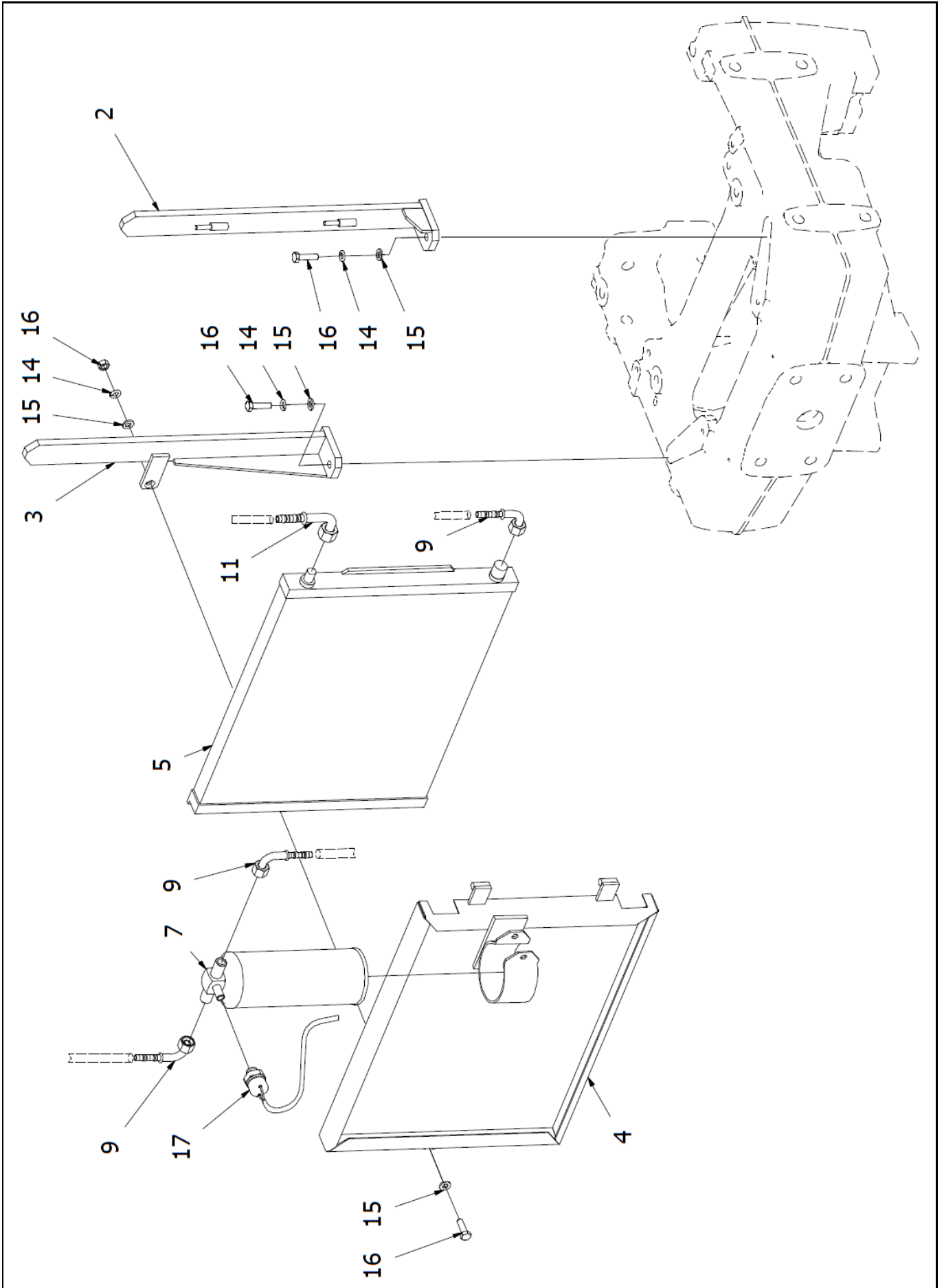


Item	Part No	Part Name	Qty.	Remarks
1	P5032090418	Mirror bracket	1	
2	P5032090419	Bush	1	
3	P5032090420	Mirror	1	
4	P5032090421	Sliding arm	1	
5	P5032090422	Clamp	1	
6	P5032090423	Pipe	1	
7	P5032090424	Clamp	1	
8	P5032090425	Gasket	1	
9	P5032090426	Plug	1	
10	P5032090427	Bolt	1	
11	P5032090428	Bolt	1	
12	P5032090429	Nut	1	
13	P5032090430	Washer	1	
14	P5032090431	Bolt	2	
15	P5032090432	Spring	1	
16	P5032090433	Washer	1	
17	P5032090434	Nut	1	



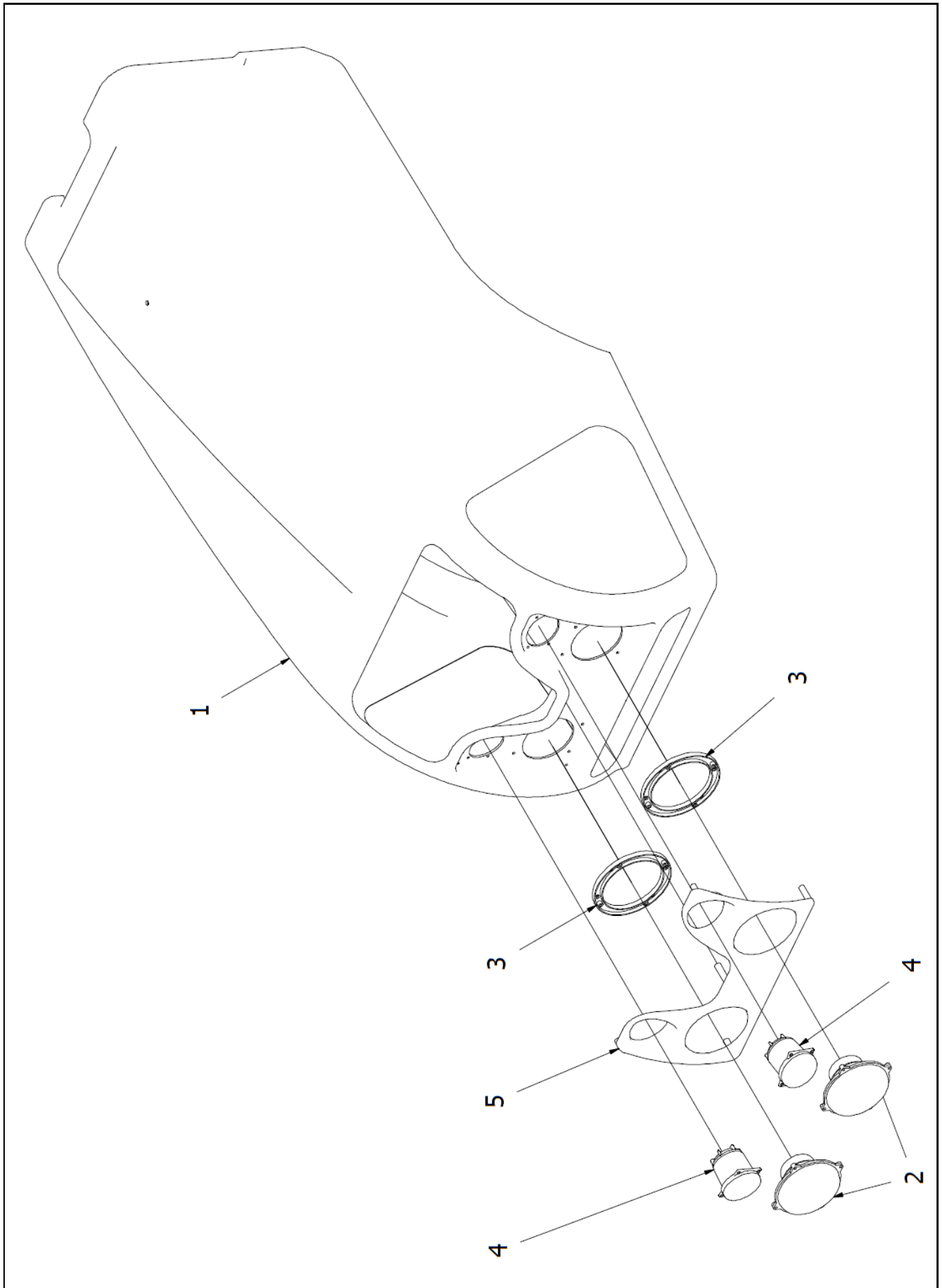
Evaporator set**03.21.069**

Item	Part No	Part Name	Qty.	Remarks
1	P5032191279	Tube I	1	
2	P5032191280	Tube II	1	
3	P5032191281	Tube III	1	
4	P5032191282	Tube IV	1	
5	P5032191283	Evaporator	1	
6	P5032191284	Connector	1	
7	P5032191285	Connector	1	



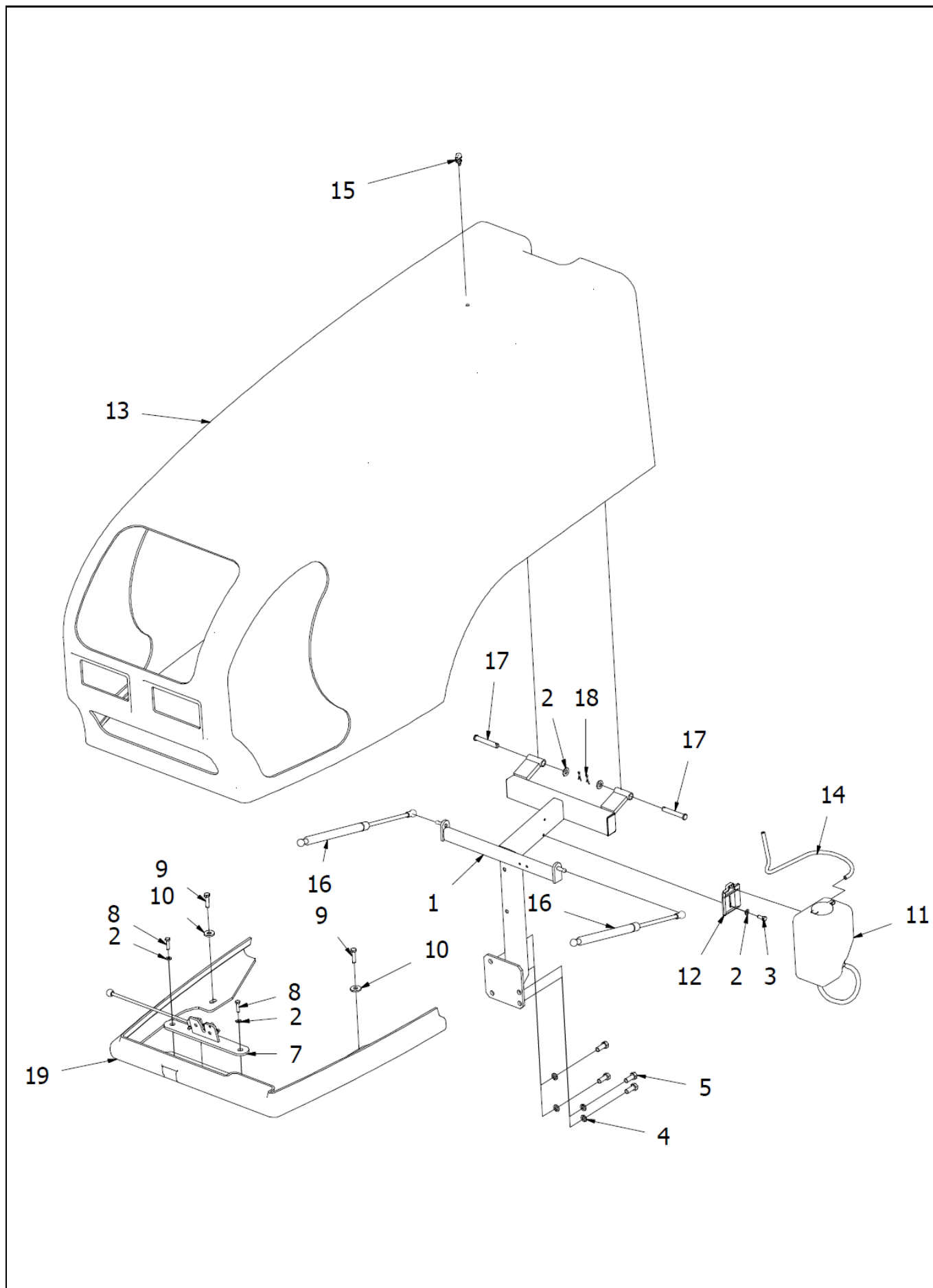
Condenser Set**03.21.086**

Item	Part No	Part Name	Qty.	Remarks
2	P5032191286	Left support	1	
3	P5032191287	Right support	1	
4	P5032191288	Evaporator support	1	
5	P5032191289	Evaporator	1	
7	P5032191290	Dryer	1	
9	P5032191291	Elbow connector 5/8"-18 UNF	3	
11	P5032191292	Elbow connector 3/4"-16 UNF	1	
12	P5032191293	Nut M8	1	
14	P5032191294	Spring washer 8	3	
15	P5032191295	Flat washer 8	4	
16	P5032191296	Bolt M8x25	3	
17	P5032191297	Pressure switch	1	



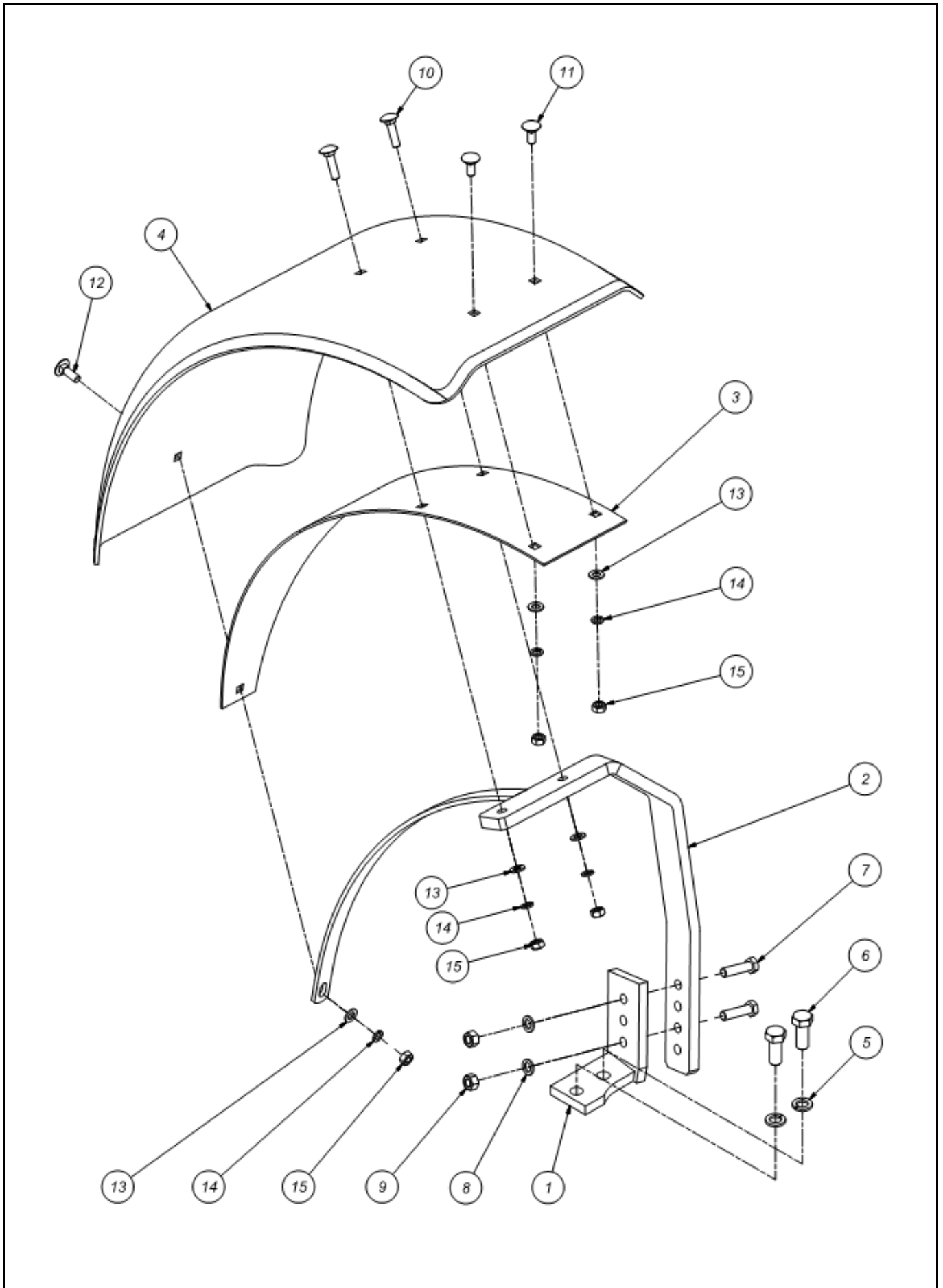
Tractor bonnet assy.	03.22.099
-----------------------------	------------------

Item	Part No	Part Name	Qty.	Remarks
1	P5032291298	Bonnet assy	1	
2	P5032291299	Head lamp	2	
3	P5032291300	Frame	2	
4	P5032291301	Work lamp	2	
5	P5032291302	Housing	1	



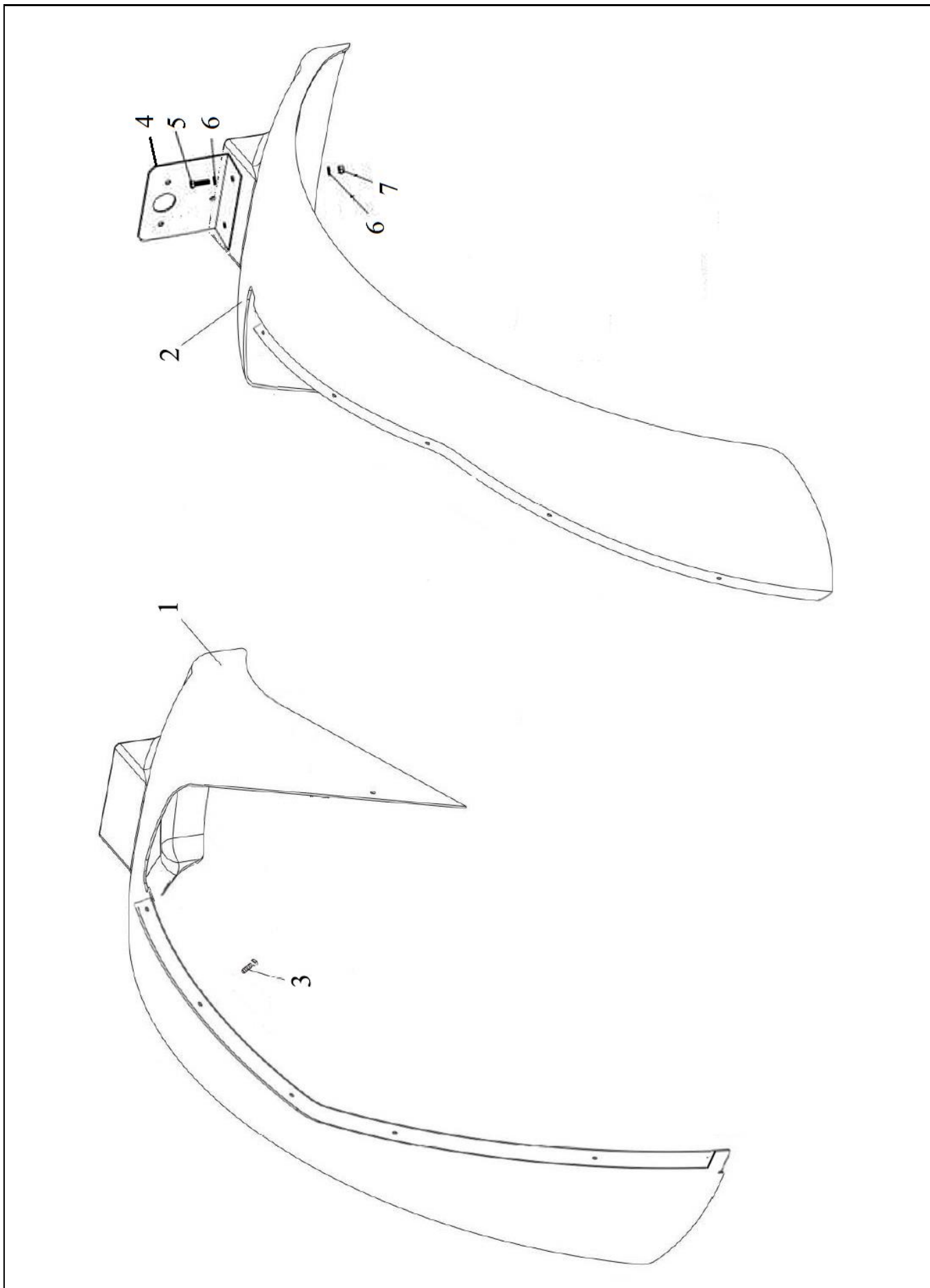
Tractor bonnet assy.**03.22.100**

Item	Part No	Part Name	Qty.	Remarks
1	P5032291303	Bonnet support	1	
2	P5032291304	Flat washer 6	1	
3	P5032291305	Bolt M6x16	1	
4	P5032291306	Spring washer 10	4	
5	P5032291307	Bolt M10x30 8.8	4	
7	P5032291308	Lock	1	
8	P5032291309	Bolt M6x25	2	
9	P5032291310	Bolt 3/8"-16,x0,875" Fe/Zn	2	
10	P5032291311	Flat washer enlarge M10 Fe/Zn	2	
11	P5032291312	Fluid reservoir	1	
12	P5032291313	Support	1	
13	P5032291314	Bonnet assy	2	
14	P5032291315	Tube	1	
15	P5032291316	Nozzle	1	
16	P5032291317	Spring gas	2	
17	P5032291318	Pin	2	
18	P5032291319	Cotter pin 3,2x40	2	
19	P5032291559	Bottom sheet	1	



Front mudguard assy.**03.22.103**

Item	Part No	Part Name	Qty.	Remarks
1	P5032291159	Mudguard bracket base RHS	1	
4	P5032291160	Mudguard coat	1	
5	P5032290088	Spring washer 16,3	2	
6	P5032290089	Hexhead bolt M 16 x 40	2	
7	P5032290090	Bolt M 12 x 45	2	
8	P5032290091	Flat washer 13	2	
9	P5032290092	Nut M12	2	
10	P5032290093	Bolt M10 x 40	2	
11	P5032290094	Bolt M10 x 30	2	
13	P5032290095	Flat washer 10	5	
14	P5032290096	Spring washer 10,2	5	
15	P5032290097	Nut M10	5	
2	P5032291138	Mudgard bracket	1	
3	P5032291139	Stiffening plate	1	



Rear mudguards**03.22.105**

Item	Part No	Part Name	Qty.	Remarks
1	P5032290587	Mudguard right	1	
2	P5032290588	Mudguard left	1	
3	P5032290589	Mounting Screw	20	
4	P5032290590	Registration plate bracket	1	
5	P5032290591	Bracket screw	2	
6	P5032290592	Washer	2	
7	P5032290593	Nut	2	